

BLUEPALM

ALL SCENCE POWER STATION

Home & Outdoor



HIGH PV MODULE

2 array PV input, supporting up to 7000W solar energy input, single array solar energy up to 550V/14A, more extensive solar panel selection



FAST AC CHARGE

Dual AC charging interfaces, 1 hours charging about 80%. Can be replenished at home through the power socket, or quickly replenished outside through the car charging pile.



MULTIPLE HIGH OUTPUT

6 AC pure sine wave discharging interfaces, supporting up to 5000W, which can meet the power consumption of all household appliances and construction machinery



ESP Millisecond switching

When the grid power is cut off, the emergency switching time is less than 20 milliseconds, which can be used in the operating room, data room, alarm center, fire center and other scenes.



Expandable Capacity

Modular design, two battery modules (P5000) can be connected externally. A single battery module is 5.12kWh, and the maximum capacity of the whole system is 15.36kWh.



ON / OFF Grid dual mode

On/Off grid power consumption modes are optional.

When select on-grid mode, the surplus electricity can be supplied to the grid, and the whole system can be used more efficiently to create economic income.



IP 65 Waterproof Design

IP 65 waterproof grade. The waterproof design of multiple structures is adopted. The top adopts a diversion structure and Internal design with isolation package. The external wiring port adopts a sealed door waterproof design to prevent water entering from the top and around.



Easy indoor/outdoor mobility

The big size & universal direction wheel design makes easily indoors and outdoors movements, which can be used as a small household energy storage system, and can also meet the needs of various outdoor electricity scenarios such as construction, disaster relief, yachts, camps, etc.

When select off-grid mode, solar energy and peak load shifting are used to supplement power, saving power consumption costs.



Remote Control

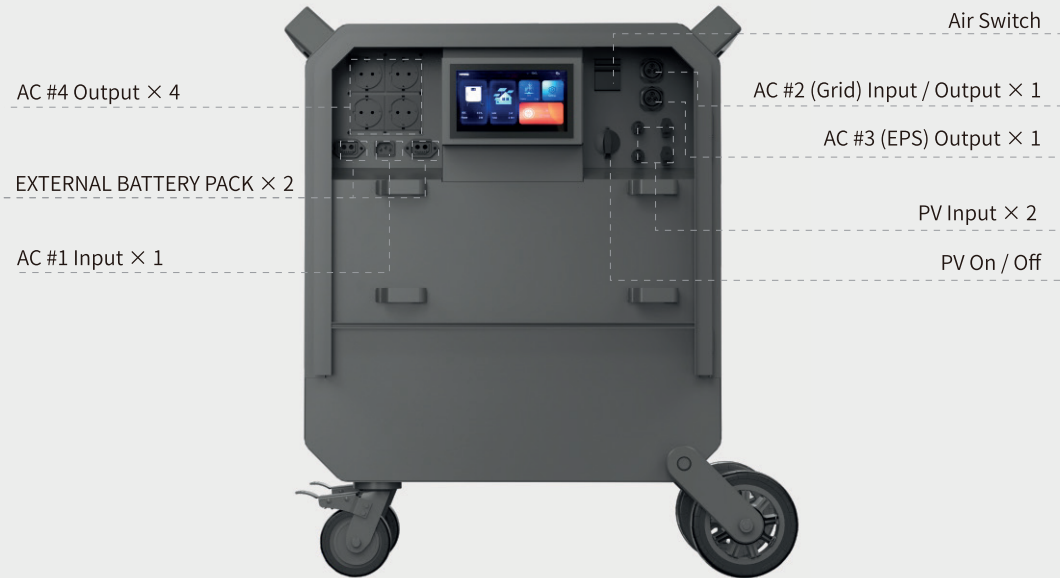
The whole system can be viewed and controlled in real time by accessing the server through APP or browser.



Ultra-pure mute

No cooling fan design, super quiet and noiseless

SPECIFICATIONS



GENERAL	Model	BP-M5000
	Capacity	5120Wh * N (N≤3)
	Cell Chemistry	LiFePO ₄
	Nominal Current	100A
	Lifecycle	6000+ Cycles to 80% Capacity
	Indicator	APP / LCD Screen / Web
	Storage Temp.	-13°F~140°F (-25°C~60°C)
	Operating Temp.	32°F~122°F (0°C~50°C)
	Material	Metal
	Weight	90±0.5kg
	Dimensions (With Base)	640*374*806mm
	Dimensions (Without Base)	640*374*584mm
	Battery Management System	OVP,UVP,OCP,SCP,OTP,UTP,etc.
	Solar Charge System	MPPT Charge Controller
INPUT	MC4 (Solar)	7000W Max (550V/14A)
	AC #1	2000W Max (220V~240V@50Hz/60Hz)
	AC #2 (Grid)	5000W Max (220V~240V@50Hz/60Hz)
OUTPUT	AC #2 (Grid)	5000W Max (220V@60Hz)
	AC #3 (EPS)	5000W Max (220V@60Hz)
		Automatic Switchover Time < 20ms
AC #4	2000W Max (220V@60Hz)	
EAN	9005151002515	

EXTERNAL BP-P5000

EXTERNAL BATTERY PACK

5120Wh



GENERAL	Model	BP-P5000
	Capacity	5120Wh
	Cell Chemistry	LiFePO ₄
	Nominal Current	100A
	Lifecycle	6000+ Cycles to 80% Capacity
	Storage Temp.	-13°F~-140°F (-25°C~60°C)
	Operating Temp.	32°F~122°F (0°C~50°C)
	Material	Metal
	Weight	55±0.5kg
	Dimensions	579*476*210mm
Battery Management System	OVP,UVP,OCP,SCP,OTP,UTP,etc.	
INPUT	Battery Voltage Range	48V~58.4V
	Charge Voltage	58V Max
	Charge Current	100A
OUTPUT	Discharge Current	100A
	DoD	90%
EAN		9005151002508