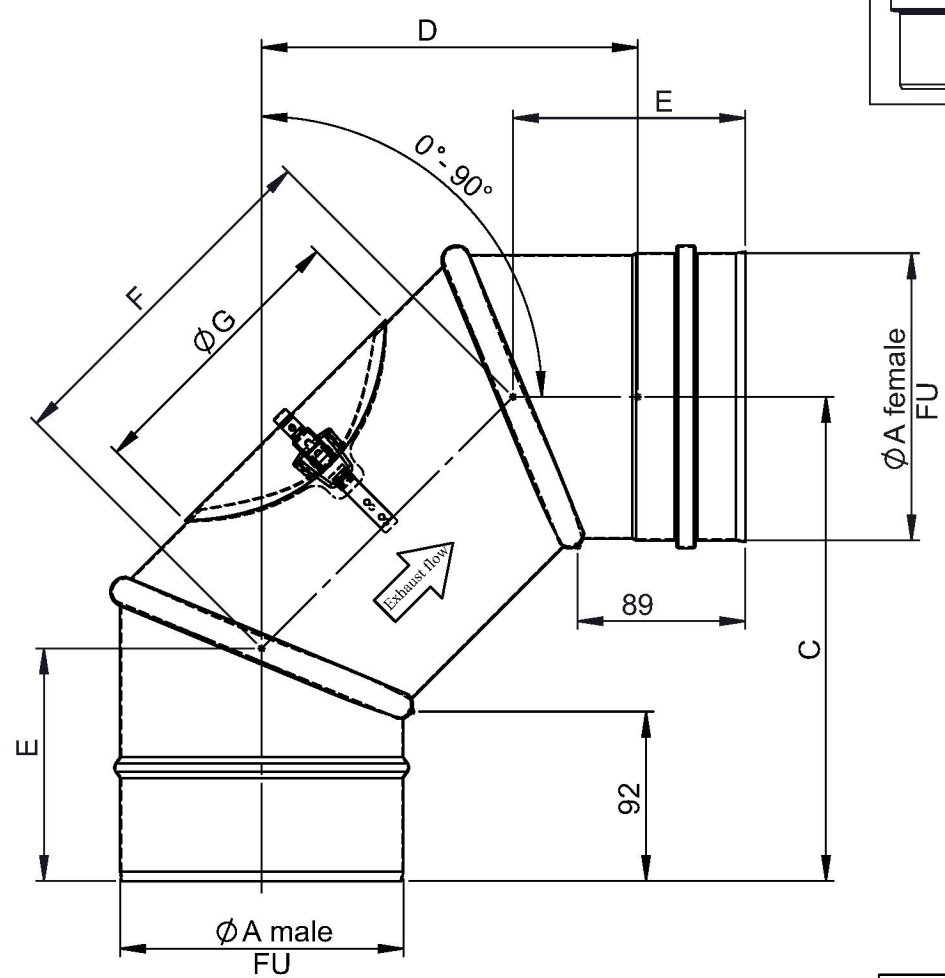
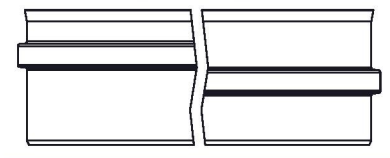


Possible type of female part "FU"



Ø				115	120	130		150	160	180				
A				115	120	130		150	160	180				
C				238	238	236		256	255	253				
D				181	181	179		199	198	196				
E				116	117	119		123	125	129				
F				173	171	166		188	185	176				
G				100				130						
kg				0,84	0,88	0,95		1,16	1,23	1,38				

notes:
ENCD

DIN ISO 13920 Tolerances B			
revisions-no.		mm / kg	
A			
	date	name	
drawn by	10.10.20	AKO	
checked by	10.10.20	SWA	
approved by	10.10.20	JWY	
modified by			

Jeremias[®]
CHIMNEY SYSTEMS

description: Adjustable inspection elbow 0-90° with clean-out diir

code: **FU102**

drawing-no.: **01-20-6600-000**

scale: 1:10
format: A4
sheet: 1 of 1