

A

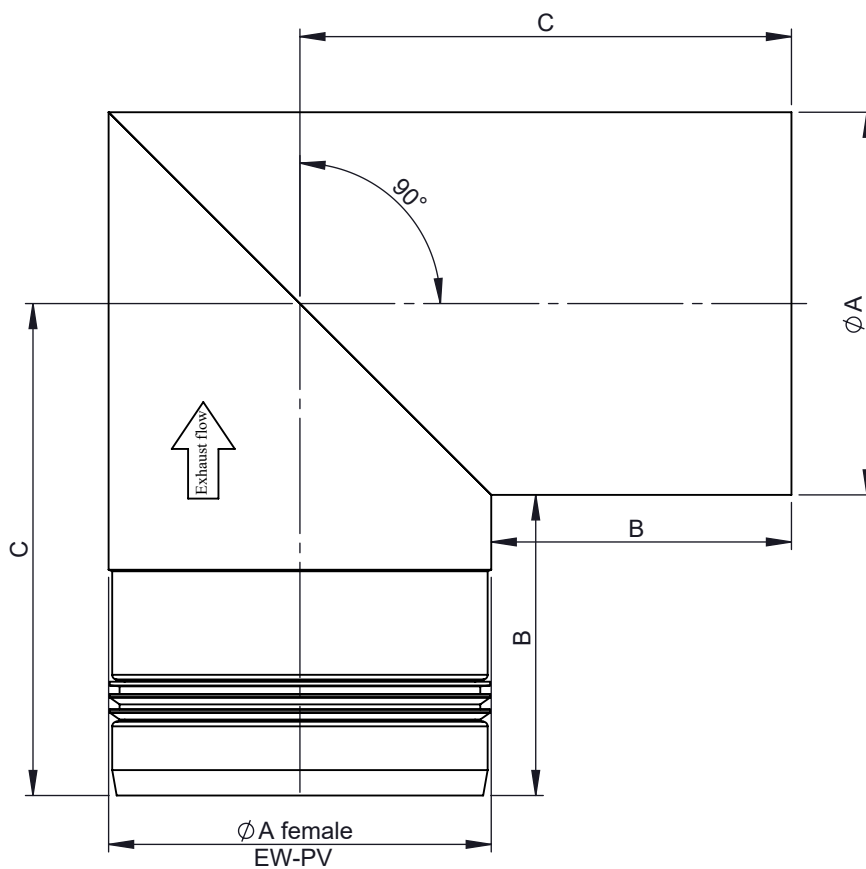
B

C

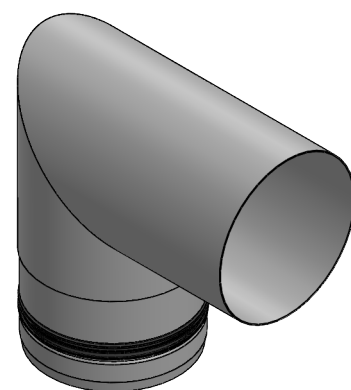
D

E

F




1:4 (100)



Code	Painted
<b>EWPV1288</b> Ø	not painted (shiny)
<b>15-EWPV1288</b> Ø	black
<b>25-EWPV1288</b> Ø	grey

Ø	<b>080</b>	<b>100</b>
<b>A</b>	080	100
<b>B</b>	090	080
<b>C</b>	130	130
<b>kg</b>	0,3	0,4

notes:	DIN ISO 13920 Tolerances B			 <b>Jeremias</b> <sup>®</sup> CHIMNEY SYSTEMS	scale
	revisions-no.		mm / kg		1:5
	A				format
	date	name	description		
	11.01.20	JMA	Two segment Elbow 90°		
	11.01.20	SWA	code		
11.01.20	JWY	drawing-no.		sheet	
modified by		01-06-21-6261-000		1 of 1	
				