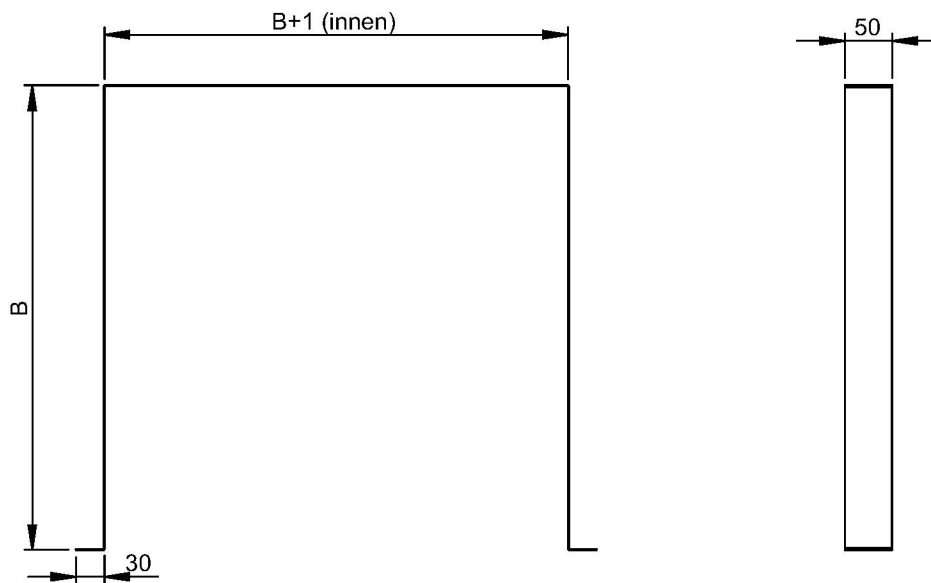


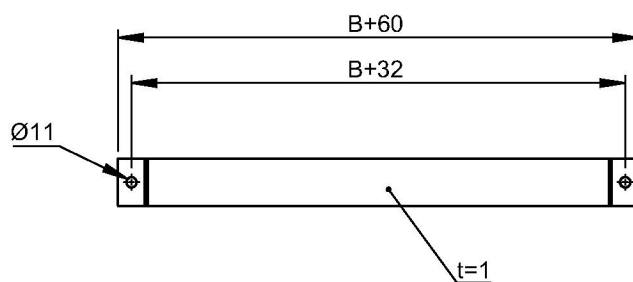
A



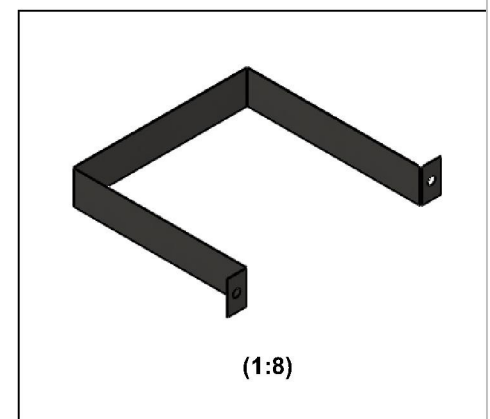
B

C

D



E



(1:8)

□innen				190x190	210x210	230x230	240x240							
□außen				290x290	310x310	330x330	340x340							
B				290	310	330	340							
kg				0,3	0,3	0,3	0,3							
material: inside/outside		surface: inside/outside		revisions-no.								Scale		
304		3C		A2								1:8		
				date		name		description LS21 Wandhalter für Schacht				Format		
				drawn		BHI						A4		
				checked								Sheet		
				checked				code LS_BxB-21				1		
				checked								drawing-no.		
A2		26.11.2015		KAB		appr.								
revision		date		name		All rights reserved!								

F