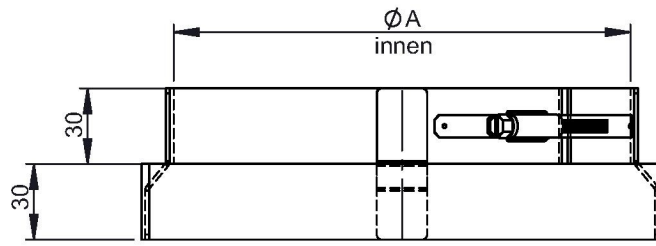
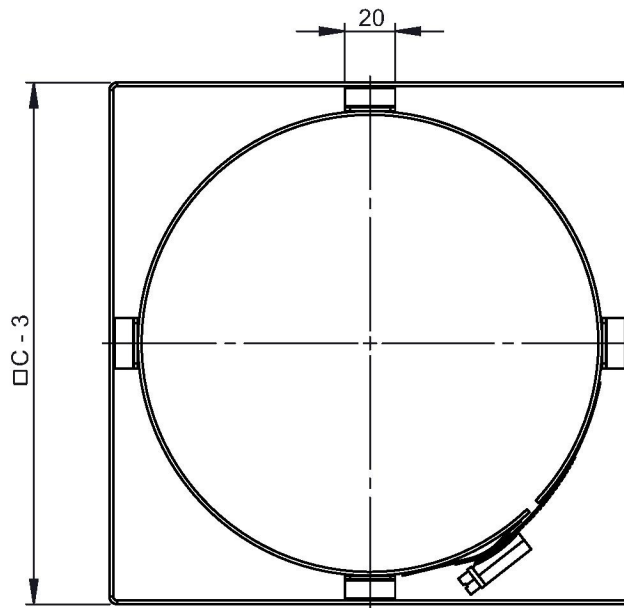


A



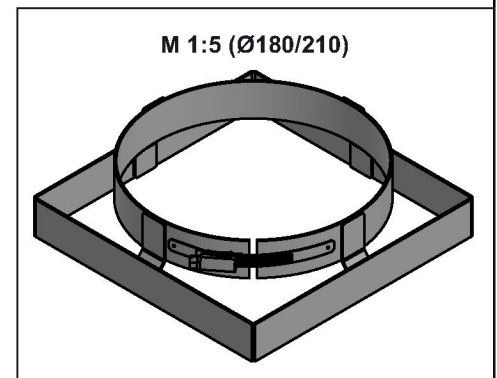
B

C



D

E



|               |  |  |  |     |     |     |     |     |  |     |  |  |  |  |  |  |  |  |  |
|---------------|--|--|--|-----|-----|-----|-----|-----|--|-----|--|--|--|--|--|--|--|--|--|
| $\varnothing$ |  |  |  | 180 |     | 200 | 210 |     |  | 230 |  |  |  |  |  |  |  |  |  |
| Schacht Maß   |  |  |  | 190 |     | 210 |     | 230 |  | 240 |  |  |  |  |  |  |  |  |  |
| A             |  |  |  | 165 | 180 |     | 200 | 210 |  | 230 |  |  |  |  |  |  |  |  |  |
| C             |  |  |  | 190 |     | 210 |     | 230 |  | 240 |  |  |  |  |  |  |  |  |  |
| kg            |  |  |  | 0,5 |     | 0,6 |     | 0,7 |  |     |  |  |  |  |  |  |  |  |  |

notes:

DIN ISO 13920 Tolerances B

revisions-no.

A1

mm / kg

date

name

drawn by

16.12.2020

KSA

checked by

approved by

modified by

31.08.2021

KSA

**Jeremias**<sup>®</sup>  
CHIMNEY SYSTEMS

description Fixierungsschelle für Ankerplatte  
im Schacht

code ZUAC...X...-1766Ø

drawing-no. 01-07-04-0489-000

scale

1:3

format

A4

sheet

1 of 1



F