

Assembly instructions

Activity toys to be assembled by adults for outdoor domestic use.

Montageanleitung

Aktivitätsspielzeug zum Zusammenbauen durch Erwachsene für den Einsatz im häuslichen Außenbereich.

Instructions de montage

Jouets d'activité à assembler par des adultes pour une utilisation extérieure familial.

2

PART

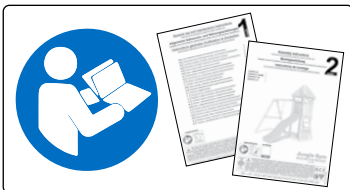
Design code: **DyqF4T**

Product name: **Nexus 2-Swing 3.0**

Product number: **211537**



OWNER MANUAL



Jungle Gym

BACKYARD PLAYGROUNDS

since 1988

Assembly time hours by 2 adults v2713	 EN. Warning! Only for domestic use. Maximum number of users is 9. DE. Achtung! Nur für den Hausgebrauch. Maximale Benutzerzahl: 9. FR. Attention! Réserve à un usage familial. Le nombre maximal d'utilisateurs est de 9. BG. Внимание! За употреба само в домашни условия. Максималният брой потребители е 9. CS. Varování! Jen pro domácí použití. Maximální počet uživatelů je 9. DA. Advarsel! Kun til privat brug. Maksimum antal brugere er 9. EL. Προειδοποίησης! Μόνο για οικιακή χρήση. Μέγιστος αριθμός χρηστών 9. ES. Advertencias! Sólo para uso doméstico. Número máximo de usuarios: 9. ET. Hoiatused! Ainult koduseks kasutamiseks. Maksimaalne kasutajate arv on 9. FI. Varoitukset! Ainoastaan kotikäyttöön. Käyttäjää yhteensä enintään 9. HR. Upozorenja! Samo za uporabu u domu. Maksimalan broj korisnika je 9. HU. Figyelmeztetések! Csak otthoni használatra! A használók max. száma: 9. IS. Varnaðarorð! Eingöngu fyrir einkanotkun í heimahúsum og á einkalóðum. Hámarksfjöldi notenda er 9. IT. Avvertenze! Solo per uso domestico. Massimo numero di utenti è 9. LT. Dėmesio! Tik buitiniam naudojimui. Maksimalus naudotojų skaičius 9. LV. Brīdinājumi. Izmantot tikai mājās. Maksimālais lietotāju skaits ir 9. NL. Waarschuwing! Uitsluitend voor huishoudelijk gebruik. Het maximale aantal gebruikers is 9. NO. Advarsel! Kun for privat bruk. Maksimalt antall brukere er 9. PL. Ostrzeżenia! Wyłącznie do użytku domowego. Maksymalna liczba użytkowników to 9. PT. Avisos! Apenas para uso doméstico. O número máximo de utilizadores é 9. RO. Avertismente! Numai pentru uz domestic. Numărul maxim de utilizatori este 9. SK. Upozornenia! Iba na domáce použitie. Maximálne množstvo osôb je 9. SL. Opozorila! Samo za domačo uporabo. Maksimalno število uporabnikov je 9. SV. Varningar! Endast för hemmabruk. Det maximala antalet användare är 9.	 UK CA CE
---	--	---------------------------------------

Design code: DyqF4T, © 2025 Jungle Gym B.V. Copyrighted material. All rights reserved. Single-owner licensed. No part of this document may be reproduced or utilized otherwise in any form or by any means, electronic or mechanical, including photocopying, or posting on the internet or an intranet, copying and networking prohibited.



Customer service and support Kundendienst und Unterstützung Service clients et support

FAQ



helpdesk.jungle gym.com/help

E-mail



info@jungle gym.com

Phone



EU +31 85 44 44 102



Availability:

Monday – Thursday: CET 09:00 AM – 04:00 PM

Friday: CET 09:00 AM – 01:00 PM

Local phone charges may apply.



General safety notice Allgemeine Sicherheitswarnung Avertissement de sécurité général



1-5 *

Warning!
Achtung!
Attention!



1-12 *

Potential hazards
Potenzielle Gefahren
Dangers potentiels



1-7 *

Installation notices
Installationsplanung
Planification de l'installation



1-14 *

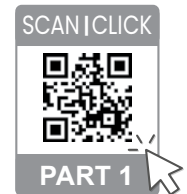
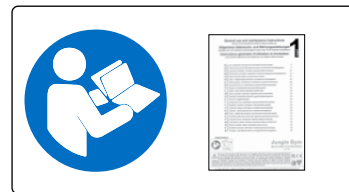
Assembly instructions
Montageanweisungen
Instructions de montage



1-7 *

Safe play instructions
Sichere Spielanweisungen
Consignes de jeu sécurité

OWNER MANUAL



my.jungle gym.com



Important: Before assembling and using this product, please carefully read the provided Use- and maintenance instructions (part 1) and assembly instructions (part 2) thoroughly.

Wichtig: Lesen Sie vor der Montage und Benutzung dieses Produkts die beiliegende Gebrauchs- und Wartungsanweisungen (Teil 1) und die Montageanleitung (Teil 2) sorgfältig durch.

Important: Avant de monter et d'utiliser ce produit, veuillez lire attentivement le manuel Instructions d'utilisation et de maintenance (partie 1) et les instructions de montage (partie 2).



* = Part 1



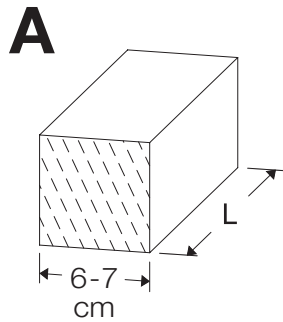
Preparatory work Vorbereitende Arbeiten Travaux préparatoires

Overview of the total delivery scope
Übersicht über den gesamten Lieferumfang
Aperçu de l'ensemble de la portée de livraison

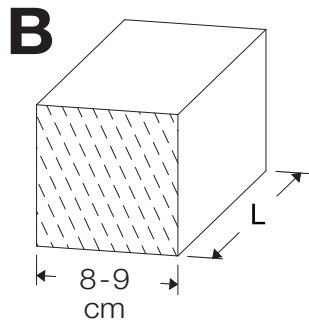


#	Description	Supplier ID	Sub-assembly ID
2	Base Tower 80_200200_125	790_001	BT01a
2	Balustrade 80_ U	790_301	BL01a
1	Playhouse 80 T Window	790_313	PH06a
1	Rock wall 80_125 T Closed	790_406	RW32a
1	TwoStep Ladder 80_125 U	790_413	TS01b
1	Market 80 U	790_502	MT01a
1	Clatter Bridge 80 uni	790_601	CB01a
1	Slide Frame 80_125 U	790_901	SL01a
1	Swing Mounting Set	794_916	UB07a
1	2- Swing Module 200 3.0	757_110	SW06b
1	Accessories Set	194_119	AC01a
1	Accessories Swing Seat	250_034	AC21a
1	Accessories Monkey Bar	250_013	AC22a
1	Accessories Mesh for Bridge	123_230	AC30a
1	Wavy Star Slide XL	324_x00a	324_x00a

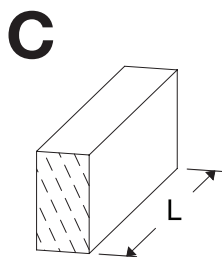
Identifying and inventorying of the individual timber parts
Identifizierung und inventarisieren der der einzelnen Holzteile
Identification et inventorier les pièces en bois individuels



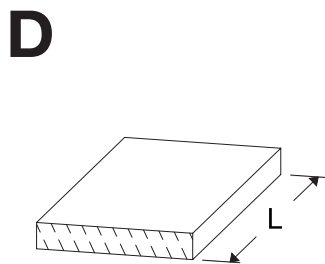
ID	L	#
A123	122 cm - 123 cm	1
A200	199 cm - 200 cm	8
A220	219 cm - 220 cm	2



B220	219 cm - 220 cm	1
------	-----------------	---

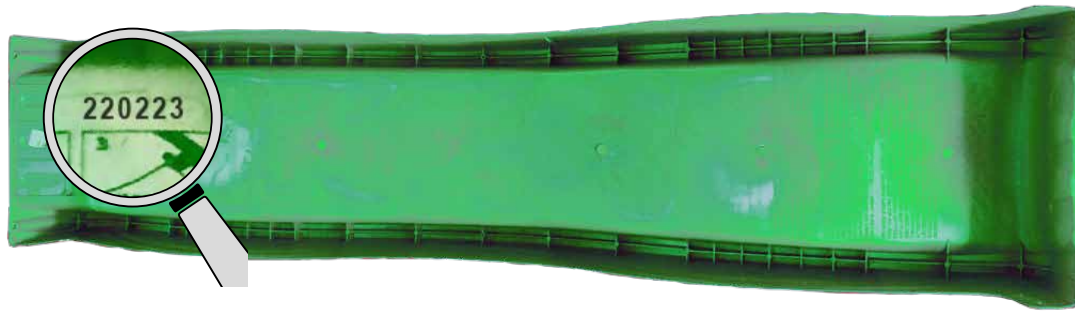



C74	73 cm - 74 cm	15
C141	140 cm - 141 cm	3





D60	59 cm - 60 cm	33
D65	64 cm - 65 cm	8
D74	73 cm - 74 cm	31
D141	140 cm - 141 cm	4
D154	153 cm - 154 cm	1


Identification, inventorying, and registering of the individual accessories and parts
 Identifizierung, inventarisieren und registrieren von der einzelnen Zubehör und Teilen
 Identification, inventorier et enregistrer les accessoires et pièces individuels



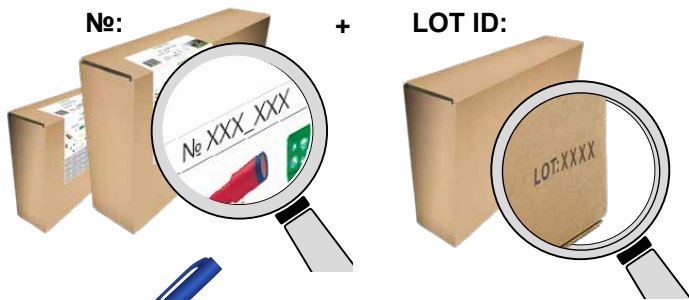
No: 

1. 

2. 


3. 


Identification, inventorying, and registering of the individual assembly kits
 Identifizierung, inventarisieren und registrieren der der einzelnen Bausätze
 Identification, inventorier et enregistrer les kits de construction individuels





Example


No:  LOT ID: 


No: 



1. 


2. 


3. 


4. 


5. 


No:  LOT ID: 

6. 

7. 

8. 

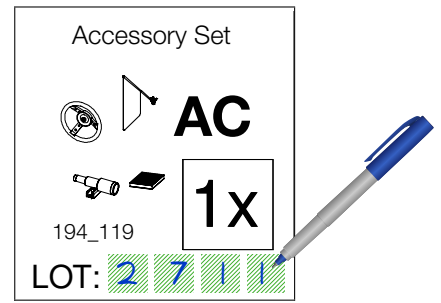
9. 


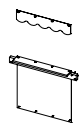
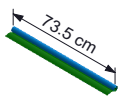



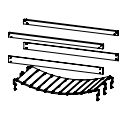
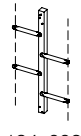
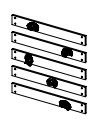


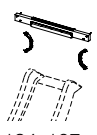
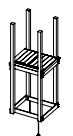
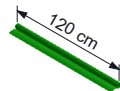
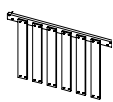
10. 

Identification, inventorying, and registering of the individual assembly packs
Identifizierung, inventarisieren und registrieren der einzelnen Baupakete
Identification, inventorier et enregistrer les packs de construction individuels



Example

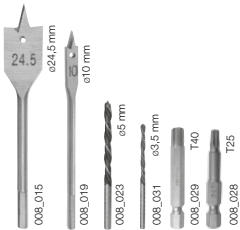


<p>Hardware 01</p>  <p>BL H01</p> <p>194_101</p> <p>2x</p> <p>LOT: <input type="text"/></p>	<p>Market</p>  <p>MT</p> <p>194_113</p> <p>1x</p> <p>LOT: <input type="text"/></p>	<p>Canvas 136 x 74cm</p>  <p>73.5 cm</p> <p>123_220</p> <p>1x</p> <p>LOT: <input type="text"/></p>	<p>Accessory Set</p>  <p>AC</p> <p>194_119</p> <p>1x</p> <p>LOT: <input type="text"/></p>	<p>Slide XL 2.2m</p>  <p>324_x00</p> <p>1x</p> <p>LOT: <input type="text"/></p>
<p>Monkey Bar</p>  <p>AC</p> <p>250_013</p> <p>1x</p> <p>LOT: <input type="text"/></p>	<p>Clatter Bridge</p>  <p>CB</p> <p>194_116</p> <p>1x</p> <p>LOT: <input type="text"/></p>	<p>Two Step Ladder</p>  <p>TS</p> <p>194_002</p> <p>1x</p> <p>LOT: <input type="text"/></p>	<p>Rock Wall</p>  <p>RW</p> <p>194_006</p> <p>1x</p> <p>LOT: <input type="text"/></p>	<p>Swing Seat</p>  <p>AC</p> <p>250_034</p> <p>1x</p> <p>LOT: <input type="text"/></p>
<p>Swing Module Kit</p>  <p>SW</p> <p>457_103</p> <p>1x</p> <p>LOT: <input type="text"/></p>	<p>Slide Frame</p>  <p>SL</p> <p>194_107</p> <p>1x</p> <p>LOT: <input type="text"/></p>	<p>Tower 80</p>  <p>BT ET</p> <p>194_100</p> <p>2x</p> <p>LOT: <input type="text"/></p>	<p>Mesh Green 185 x 120cm</p>  <p>120 cm</p> <p>123_230</p> <p>1x</p> <p>LOT: <input type="text"/></p>	<p>Balustrade 140</p>  <p>BL</p> <p>194_501</p> <p>1x</p> <p>LOT: <input type="text"/></p>

Overview of the contents of the standard included start package
Übersicht über den Inhalt des standardmäßig enthaltenen Startpakets
Aperçu du contenu du pack de démarrage inclus standard



Overview of the bit and drill bit references
Übersicht über die Bit- und Bohrer-Referenzen
Aperçu des références des embouts et des forêts



Overview of all hardware and part references for identification
Übersicht über alle Hardware- und Teile-Referenzen zur Identifizierung
Aperçu de toutes les références de matériel et de pièces pour identification

		#	L			#	L				
<p>ø 5 T-40</p>	<p>8.8</p>	<p>L</p>	001_404	30 mm	<p>ø 3.5 T-25</p>	<p>8.8</p>	<p>L</p>	002_308	20 mm		
			001_406	45 mm				002_219	30 mm		
			001_411	60 mm				002_220	45 mm		
			001_417	80 mm				002_223	80 mm		
			001_422	137 mm							
<p>ø 10 T-40</p>	<p>8.8</p>	<p>L</p>	001_102	30 mm	<p>ø 10</p>	<p>8.8</p>	<p>L</p>	004_050	22mm		
<p>ø 2.0 mm</p>	<p>8.8</p>	<p>L</p>	000_101	20 mm							
<p>ø 3.5 T-25</p>	<p>8.8</p>	<p>L</p>	002_036	16 mm							
<p>ø 4.5 mm PH-2</p>	<p>8.8</p>	<p>L</p>	002_041	20 mm							
<p>ø 3.5 mm PH-2</p>	<p>8.8</p>	<p>L</p>	002_042	13 mm							
<p>ø 3.9 mm PH-2</p>	<p>8.8</p>	<p>L</p>	002_301	40 mm							
					<p>ø 5.0 mm</p>	<p>8.8</p>	<p>L</p>				
					<p>ø 10</p>	<p>8.8</p>	<p>L</p>				
					<p>ø 10</p>	<p>8.8</p>	<p>L</p>				
					<p>ø 10</p>	<p>8.8</p>	<p>L</p>				
					<p>ø 10</p>	<p>8.8</p>	<p>L</p>				
					<p>ø 10</p>	<p>8.8</p>	<p>L</p>				
					<p>ø 10</p>	<p>8.8</p>	<p>L</p>				
					<p>ø 10</p>	<p>8.8</p>	<p>L</p>				
					<p>ø 10</p>	<p>8.8</p>	<p>L</p>				
					<p>ø 10</p>	<p>8.8</p>	<p>L</p>				
					<p>ø 10</p>	<p>8.8</p>	<p>L</p>				
					<p>ø 10</p>	<p>8.8</p>	<p>L</p>				
					<p>ø 10</p>	<p>8.8</p>	<p>L</p>				
					<p>ø 10</p>	<p>8.8</p>	<p>L</p>				
					<p>ø 10</p>	<p>8.8</p>	<p>L</p>				
					<p>ø 10</p>	<p>8.8</p>	<p>L</p>				
					<p>ø 10</p>	<p>8.8</p>	<p>L</p>				
					<p>ø 10</p>	<p>8.8</p>	<p>L</p>				
					<p>ø 10</p>	<p>8.8</p>	<p>L</p>				
					<p>ø 10</p>	<p>8.8</p>	<p>L</p>				
					<p>ø 10</p>	<p>8.8</p>	<p>L</p>				
					<p>ø 10</p>	<p>8.8</p>	<p>L</p>				
					<p>ø 10</p>	<p>8.8</p>	<p>L</p>				
					<p>ø 10</p>	<p>8.8</p>	<p>L</p>				
					<p>ø 10</p>	<p>8.8</p>	<p>L</p>				
					<p>ø 10</p>	<p>8.8</p>	<p>L</p>				
					<p>ø 10</p>	<p>8.8</p>	<p>L</p>				
					<p>ø 10</p>	<p>8.8</p>	<p>L</p>				
					<p>ø 10</p>	<p>8.8</p>	<p>L</p>				
					<p>ø 10</p>	<p>8.8</p>	<p>L</p>				
					<p>ø 10</p>	<p>8.8</p>	<p>L</p>				
					<p>ø 10</p>	<p>8.8</p>	<p>L</p>				
					<p>ø 10</p>	<p>8.8</p>	<p>L</p>				
					<p>ø 10</p>	<p>8.8</p>	<p>L</p>				
					<p>ø 10</p>	<p>8.8</p>					



Complete climbing frame identification and registration

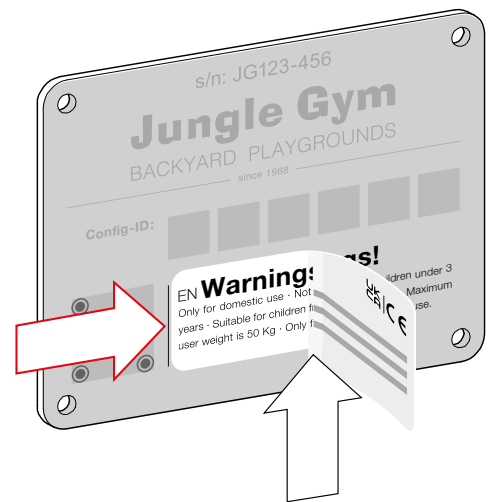
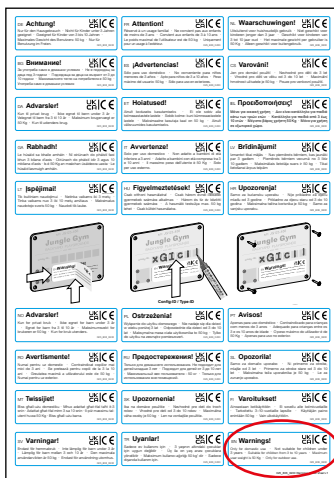
Identifizierung und Registrierung des kompletten Klettergerüsts

Identification et enregistrement de la structure d'escalade complète

Your design code
Ihr Designcode
Votre code de design



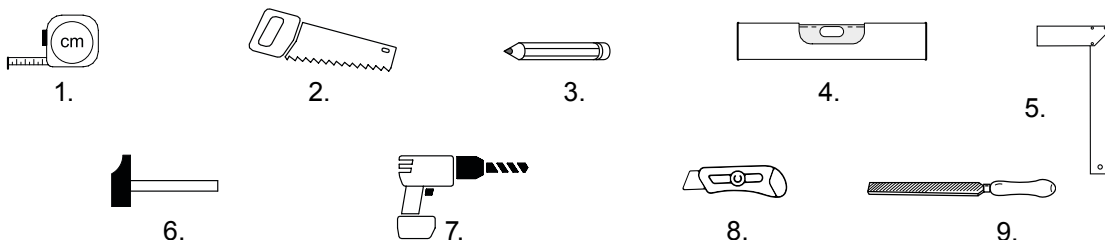
Complete climbing frame identification
Identifizierung des kompletten Klettergerüsts
Identification de la structure d'escalade complète



Required tools and materials

Benötigtes Werkzeug und Materialien

Outils et matériaux nécessaires

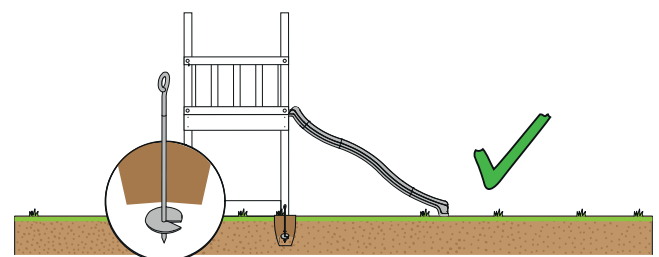
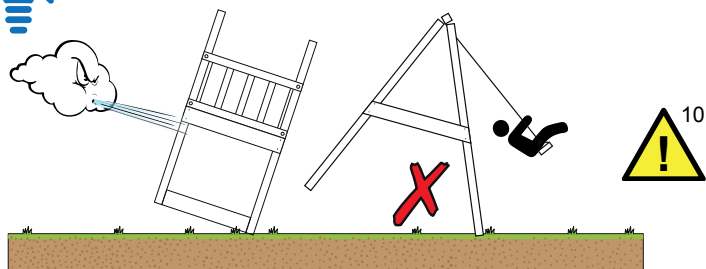
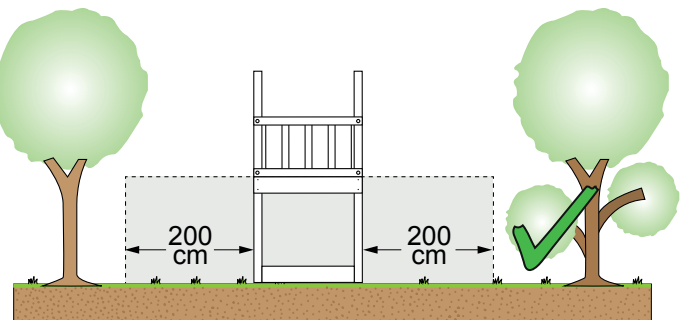
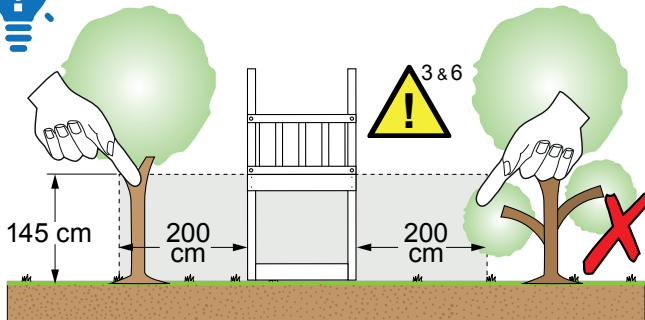
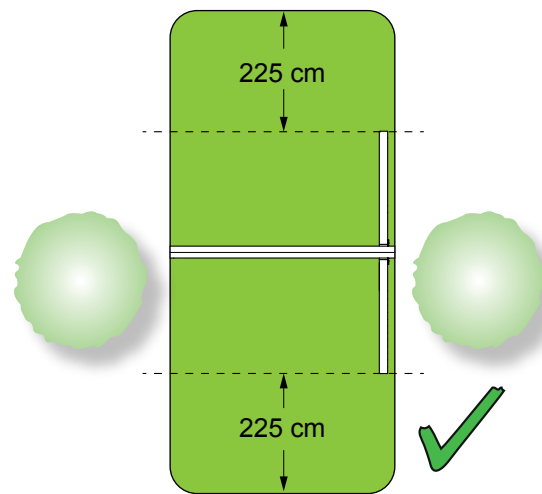
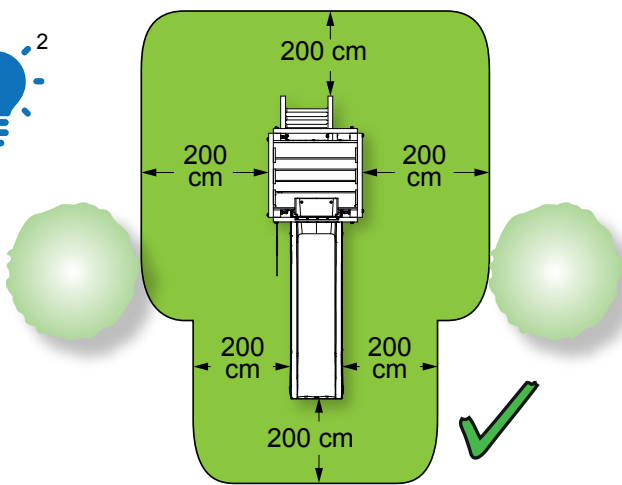
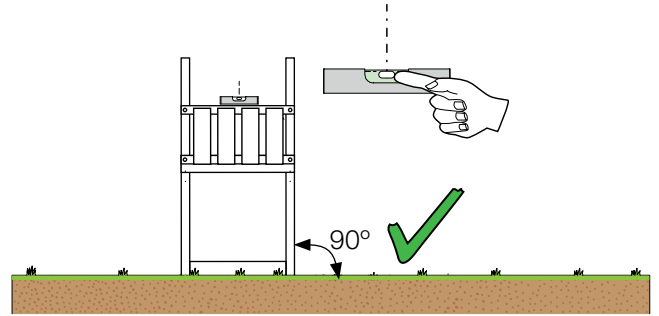
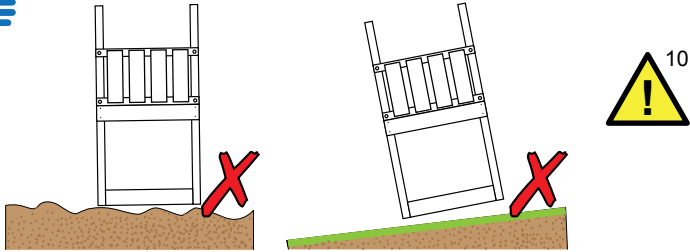


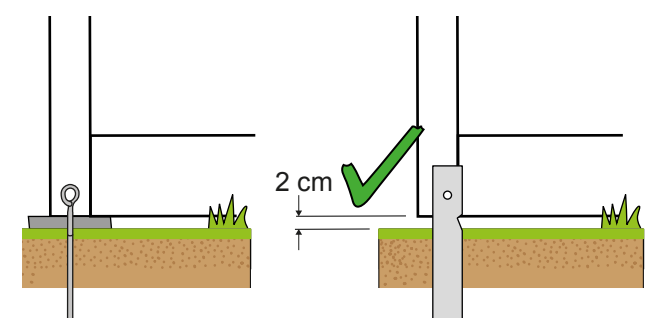
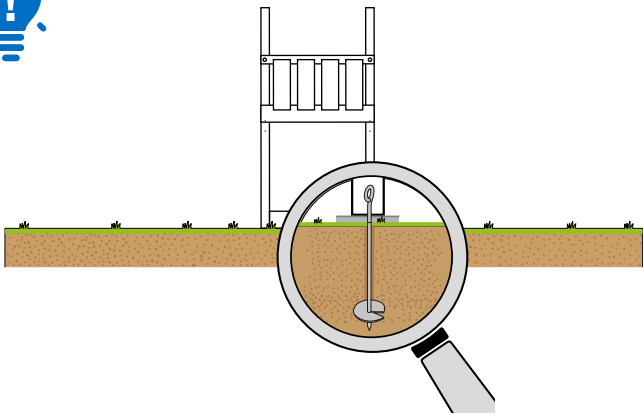
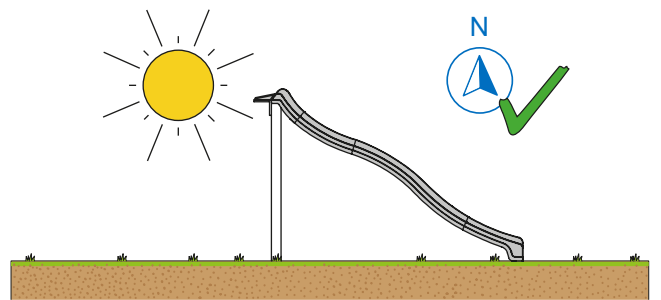
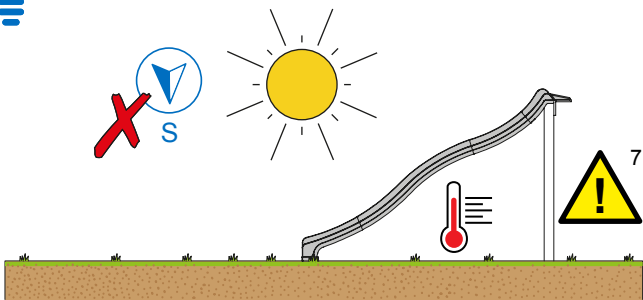
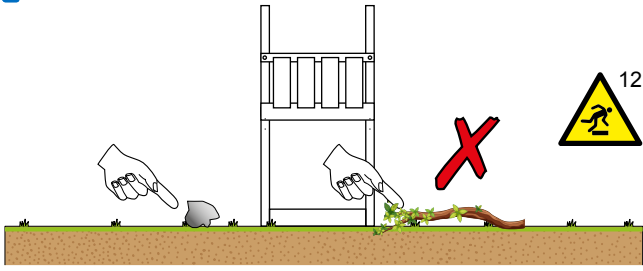


Installation and safety notices

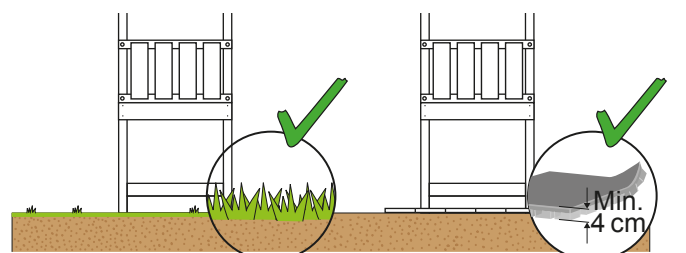
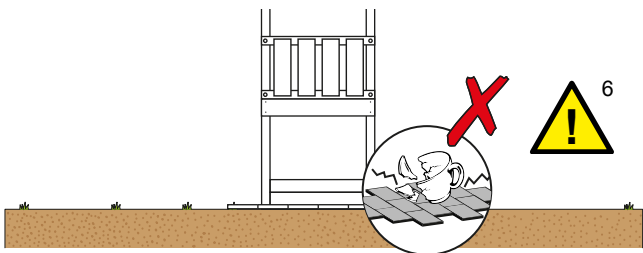
Installationsplanung und Sicherheitshinweise

Planification de l'installation et avis de sécurité





Shock absorbing surfaces Stoßdämpfende Oberflächen Surfaces d'absorption des chocs

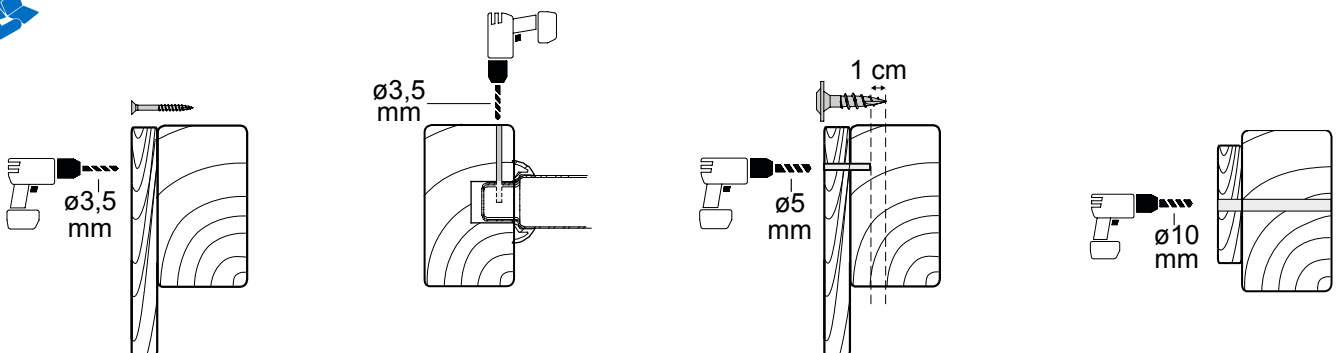
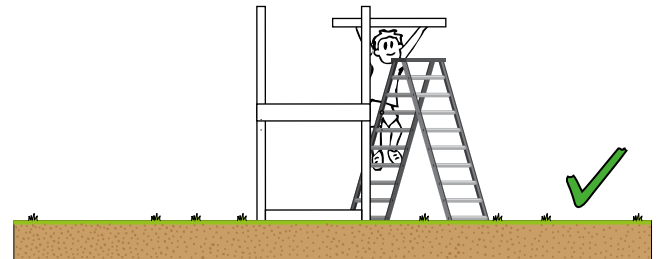
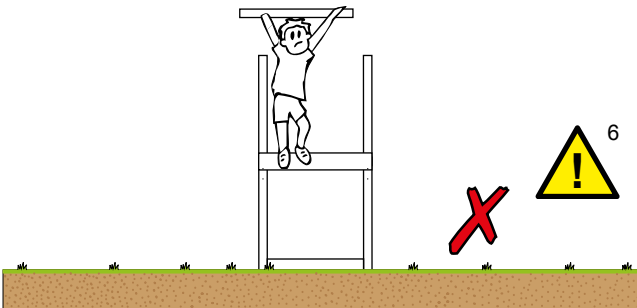
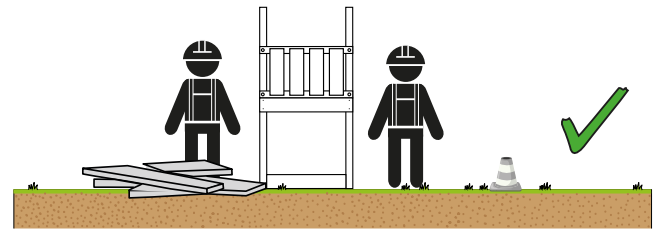
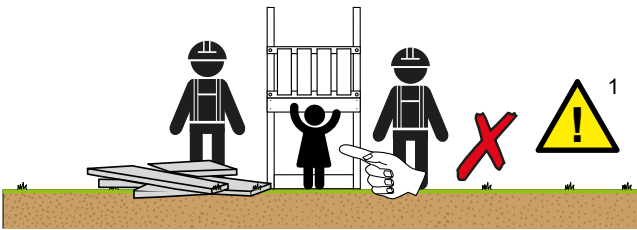
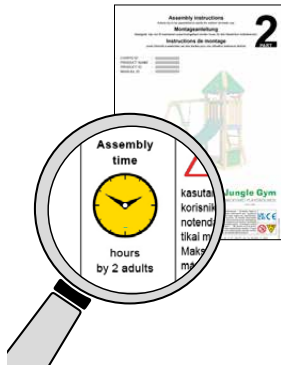


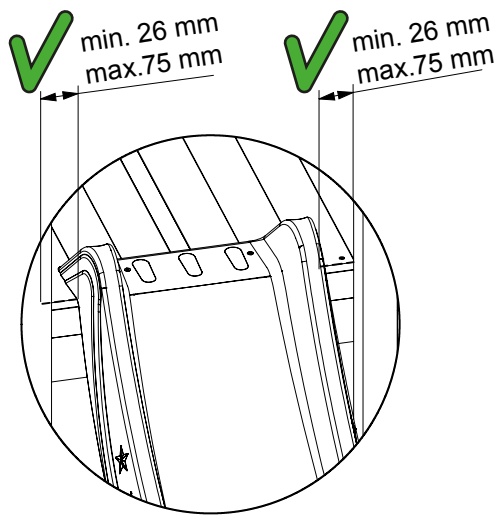
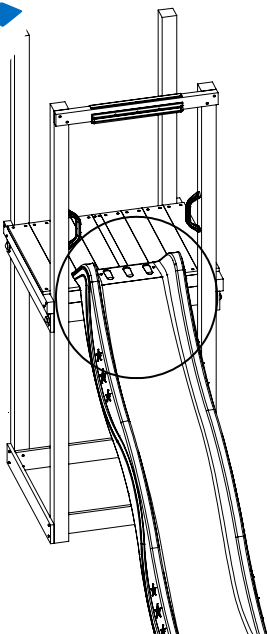
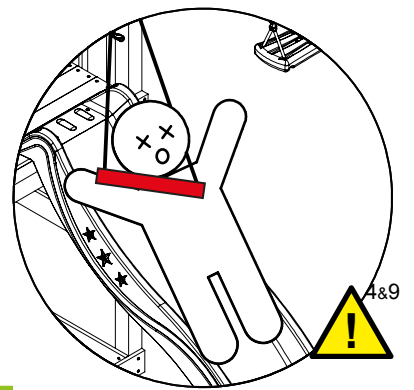
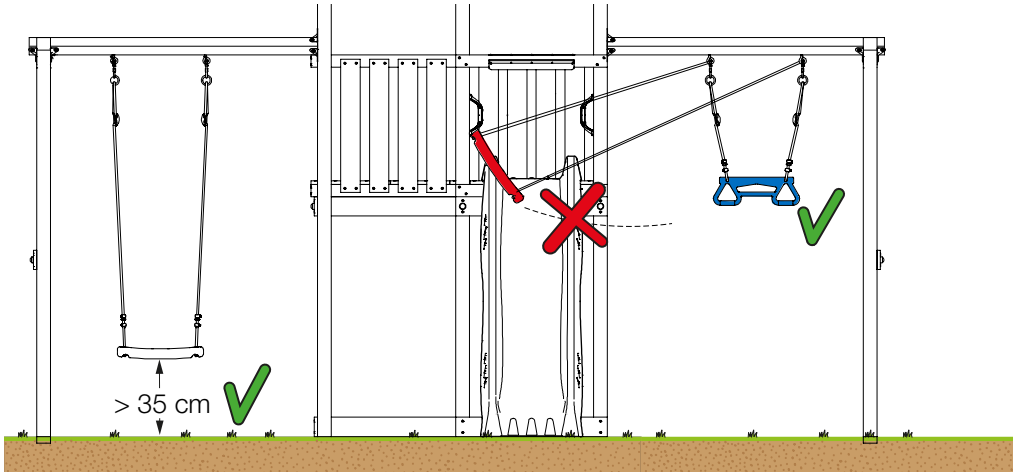
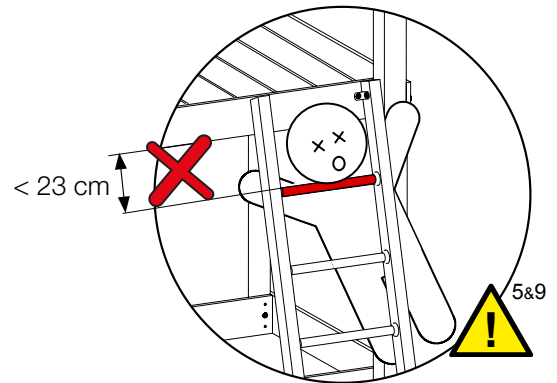
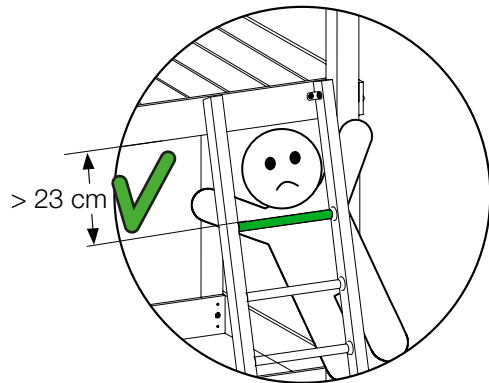
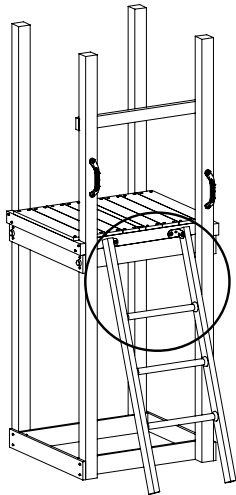


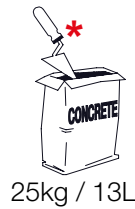
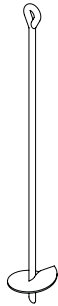
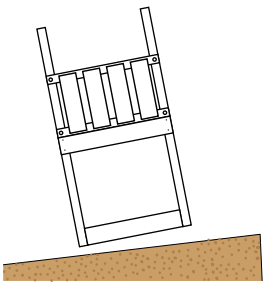
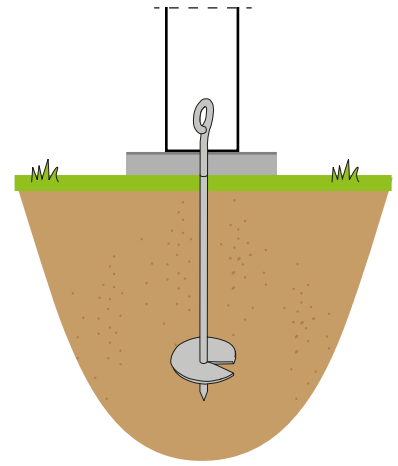
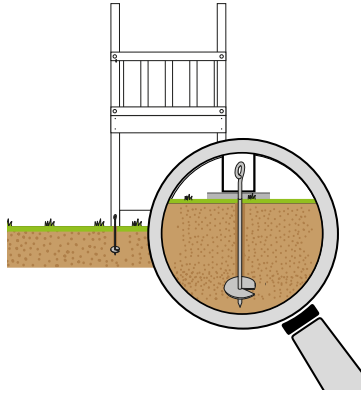
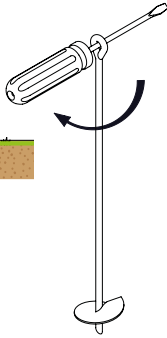
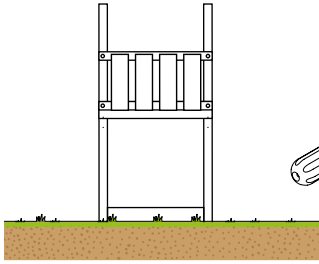
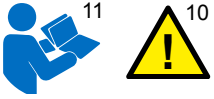
Assembly instructions and safety notices

Montageanweisungen und Sicherheitswarnungen

Instructions de montage et avis de sécurité

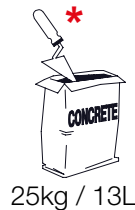
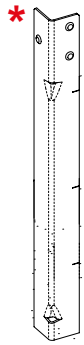
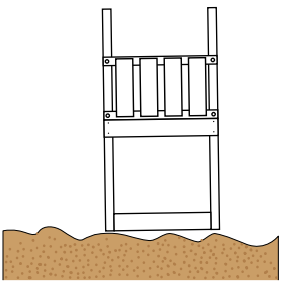
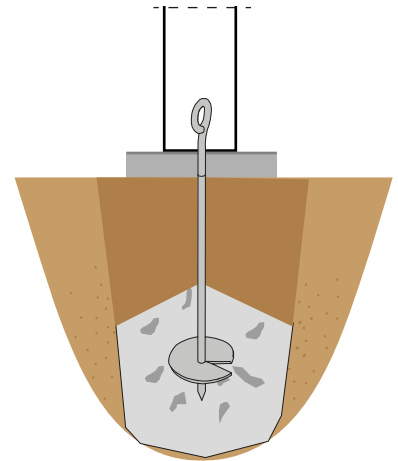
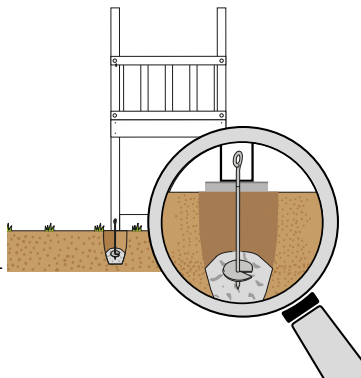






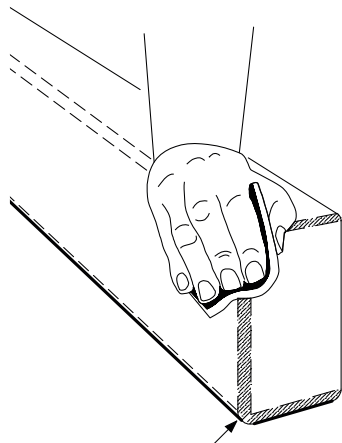
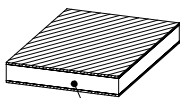
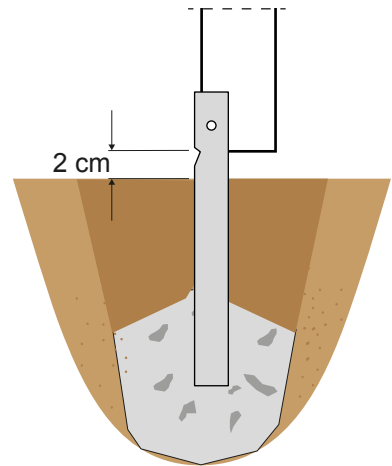
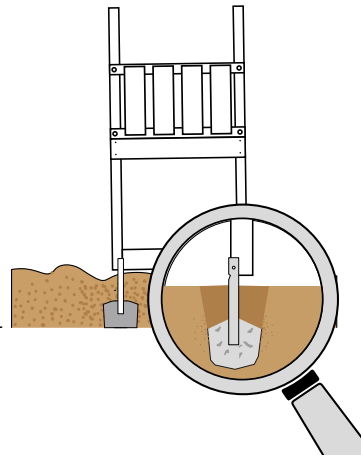
25kg / 13L

* = extra

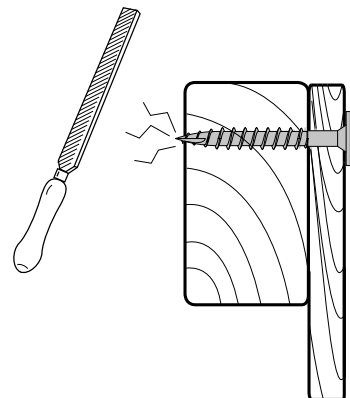


25kg / 13L

* = extra

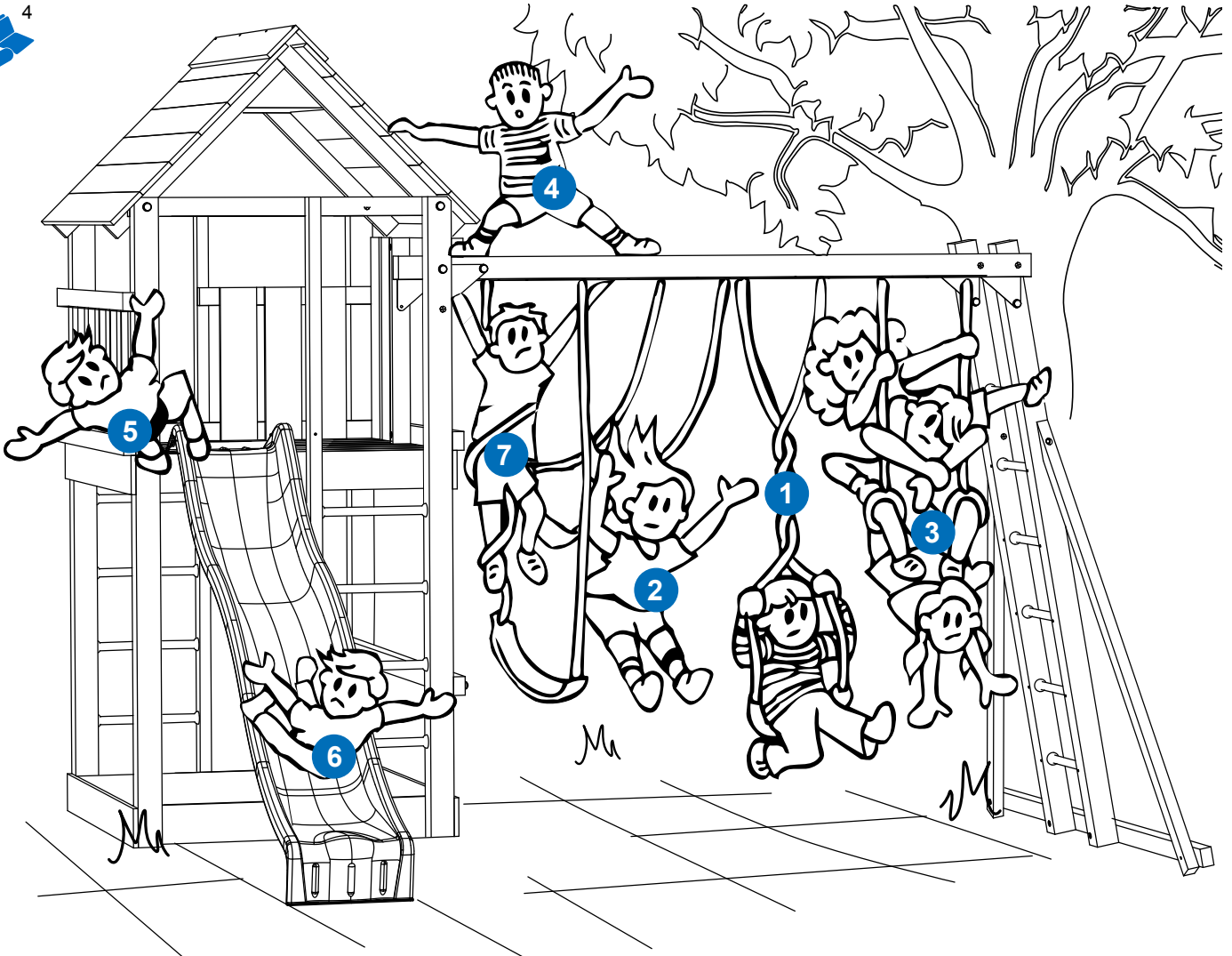
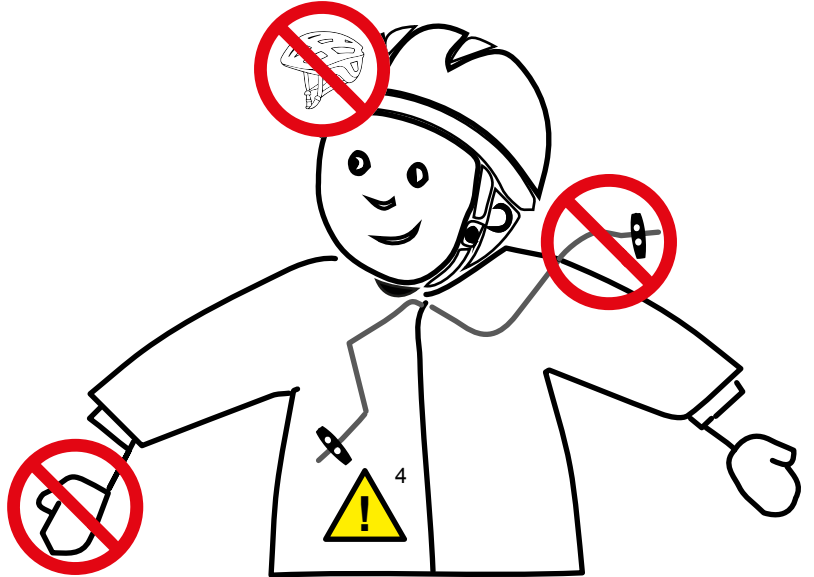


Radius 3 mm



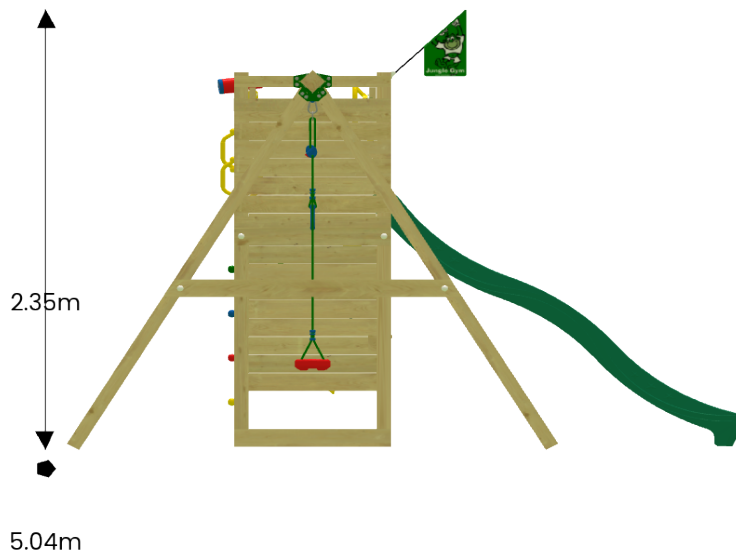
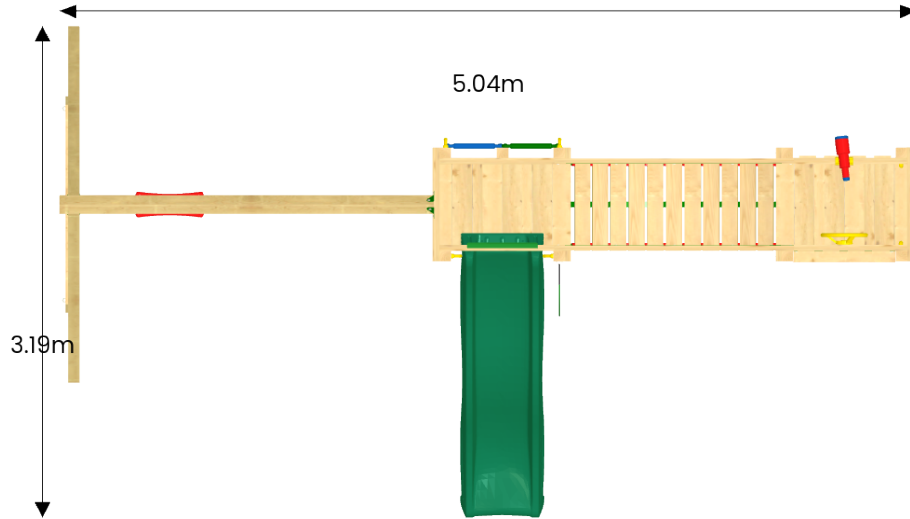


Safe play instructions and safety notices
 Sichere Spielanweisungen und Sicherheitswarnungen
 Consignes de jeu sécurisé et avis de sécurité



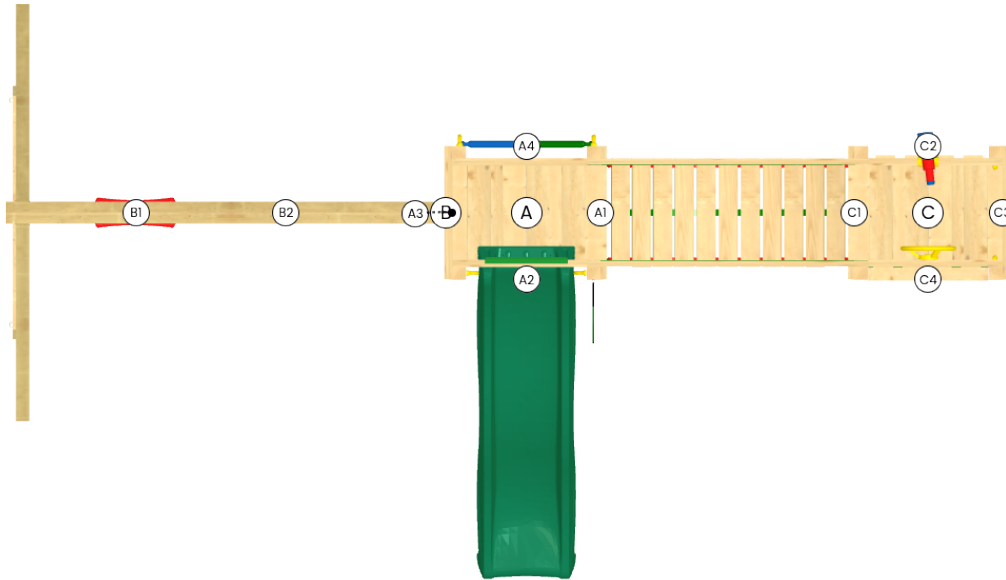


Dimensions Abmessungen Dimensions







Assembly sequence Montagereihenfolge Séquence d'assemblage



	ID			A	B	C
1	BT01a		p.18	✓	-	✓
2	BL01a		p.20	-	-	C2, C4
3	CB01a		p.21	A1	-	C1
4	TS01b		p.24	A4	-	-
5	PH06a		p.26	A3	-	-
6	RW32a		p.28	-	-	C3
7	MT01a		p.30	-	-	C4
8	UB07a		p.34	-	✓	-
9	SW06b		p.36	-	✓	-
10	SL01a		p.45	A2	-	-
11	GA		p.48	✓	✓	✓

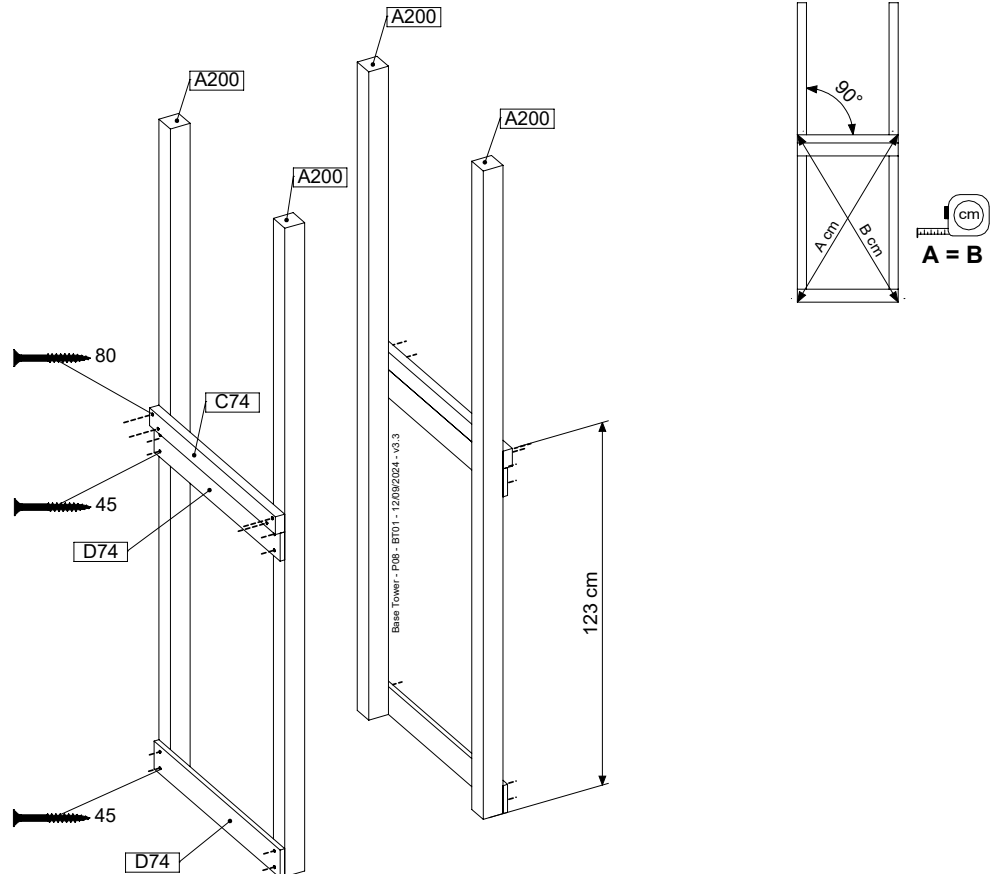
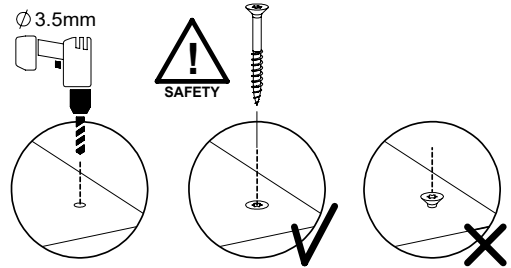
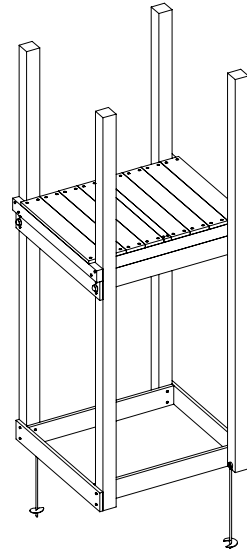
	ID			A	B	C
12	AC30a		p.50	A1	-	C1
13	AC01a		p.52	A1	-	-

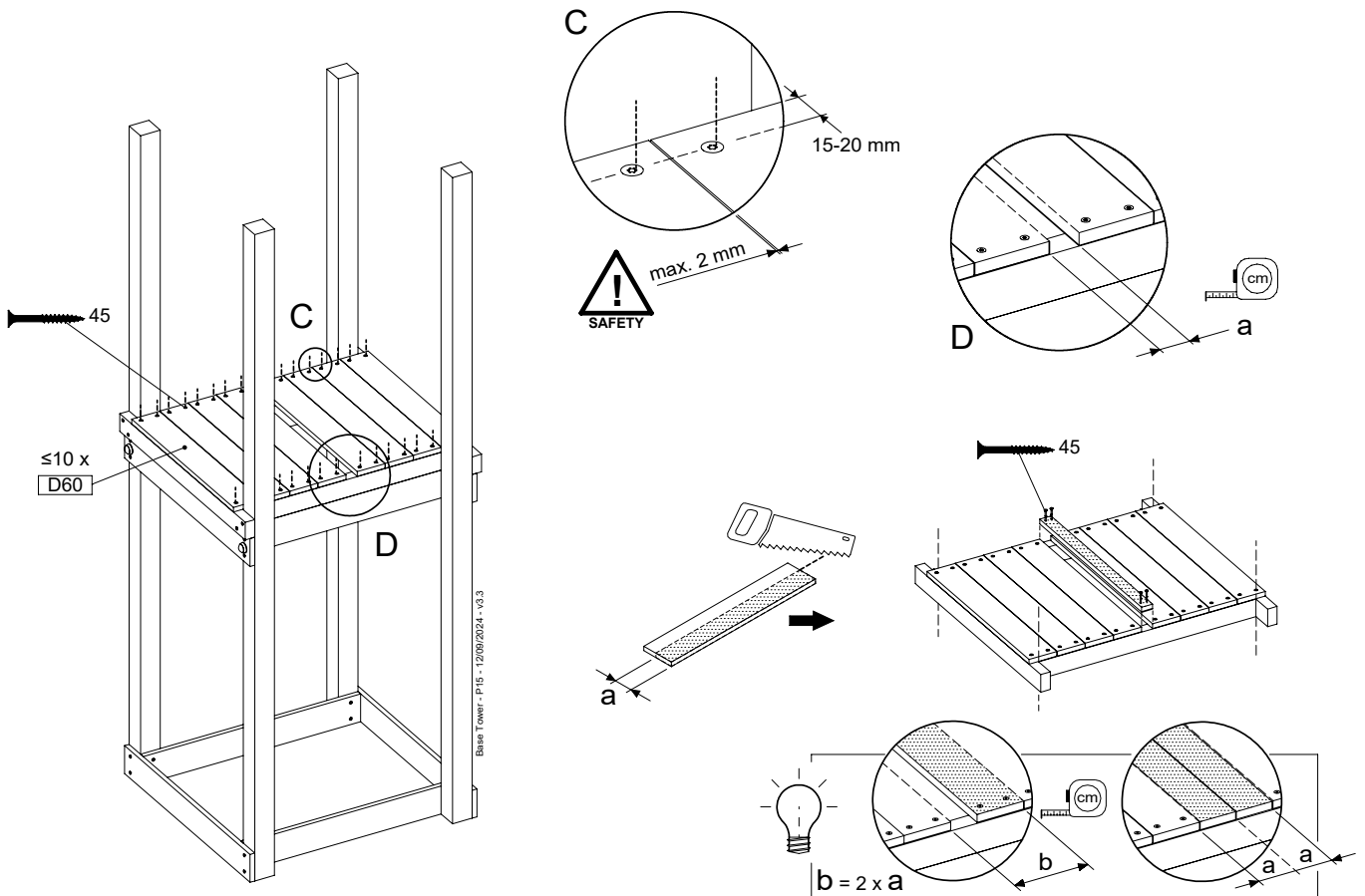
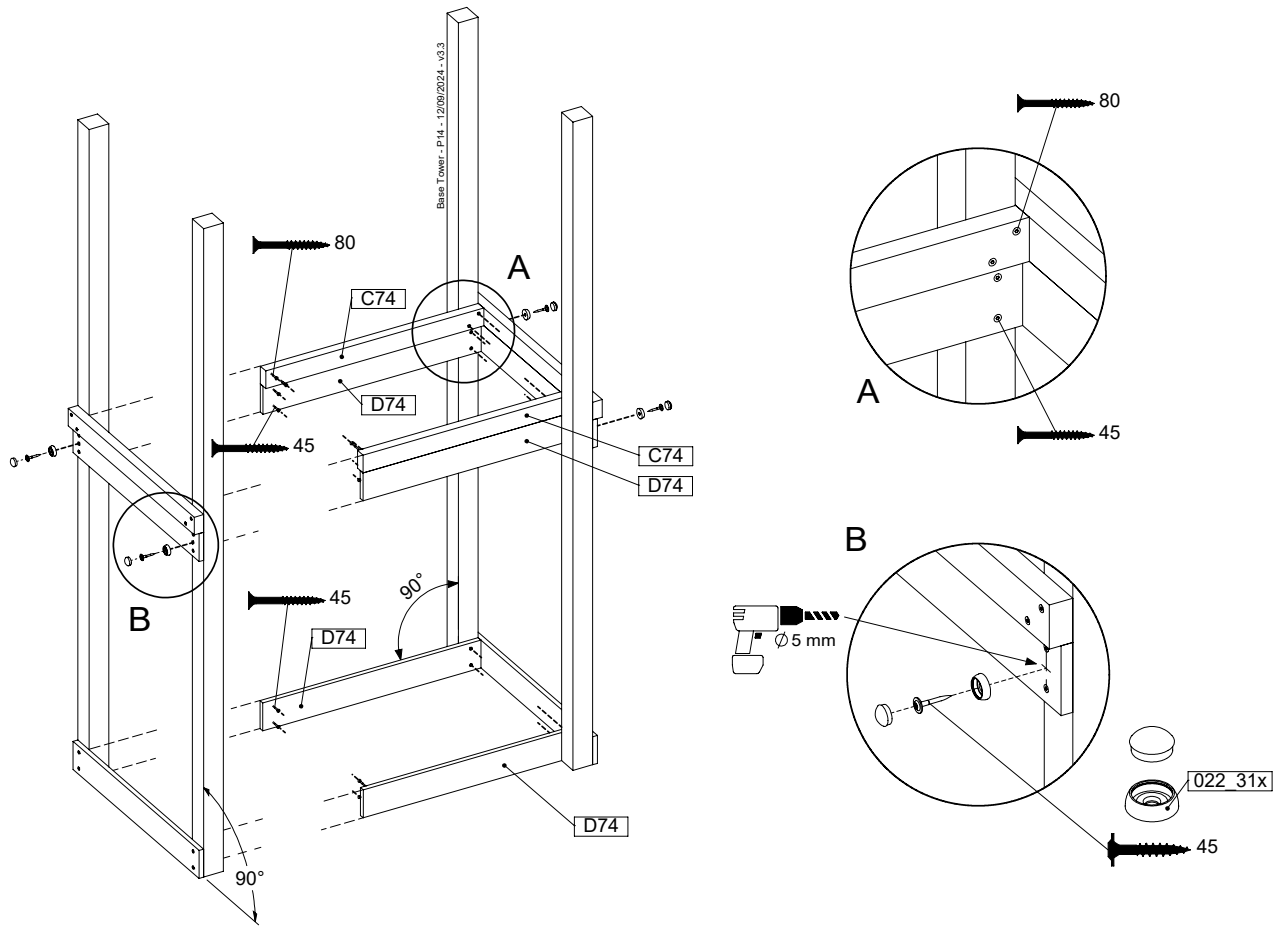
1 BT01a: Base Tower 80 125cm 200200

Assembly Pack: 194_100

	PartNo	PartName	QTY.
Hardware + Parts	001_406	Stealth Screw 8x45	6
	002_220	Gap Point Screw T25 - 5x45	72
	002_223	Gap Point Screw T25 - 5x80	16
	007_001	Ground-anchor	2
	022_31x	bpc-base version 3	4
	022_84x	bpc cover	4
Timber	A200	Post ca.70x70 L2000	4
	C74	Beam 740 mm	4
	D60	Board 600 mm	10
	D74	Board 740 mm	8

Base Tower - P02 - BT01 - 12082024 - v3.3



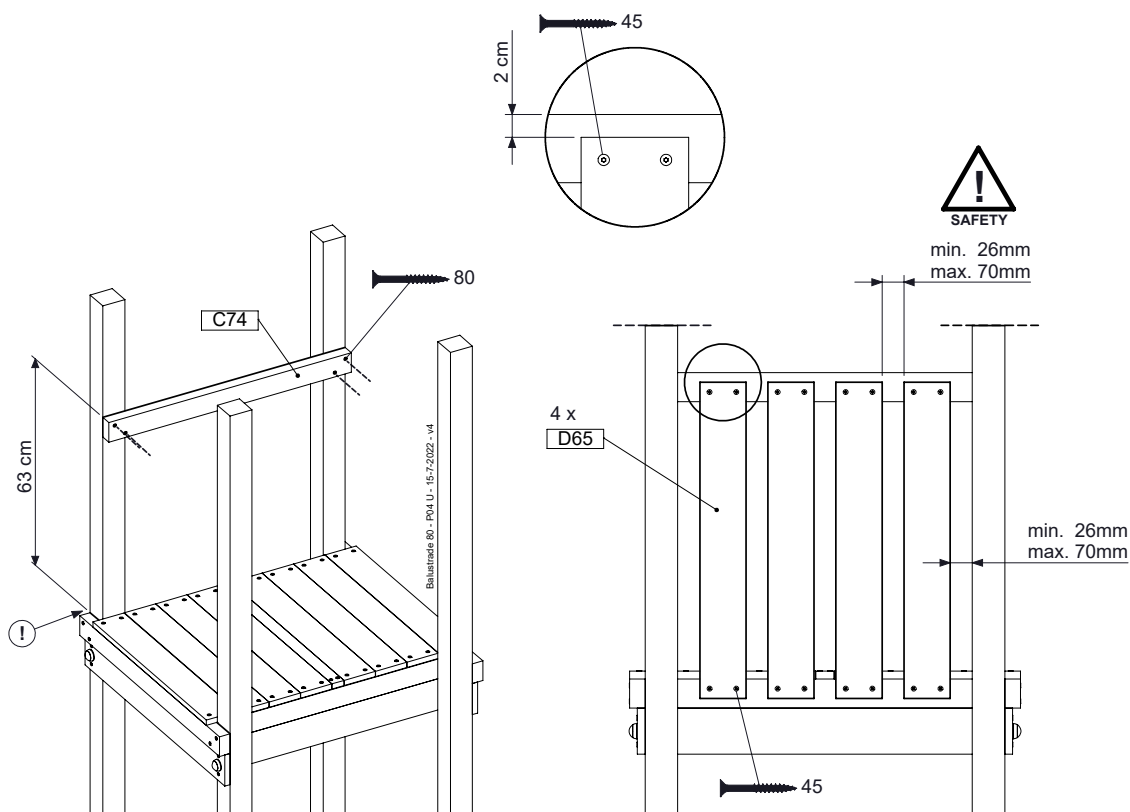
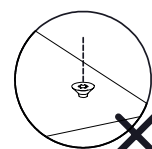
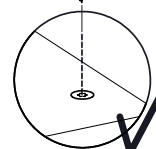
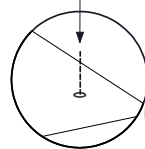
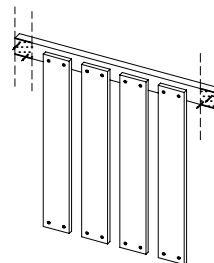


2 BL01a: Balustrade 80 U - 7x7 posts

(194_101)

	PartNo	PartName	QTY.
Hardware Pack	002_220	Gap Point Screw T25 - 5x45	16
	100_601	Gap Point Screw T25 - 5x80	4
Timber	C74	Beam 740 mm	1
	D65	Board 650 mm	4

Balustrade 80 - P02 U - 15-7-2022 - v4

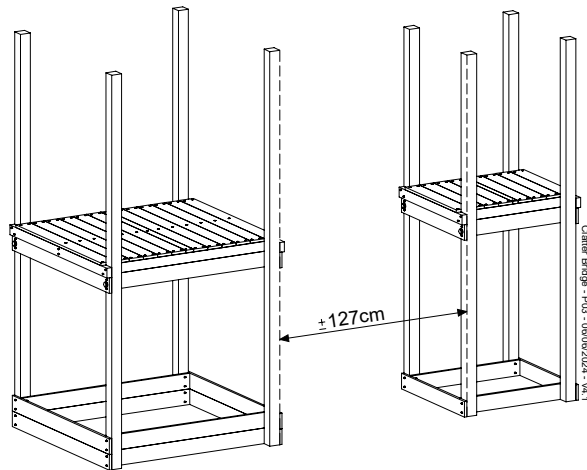
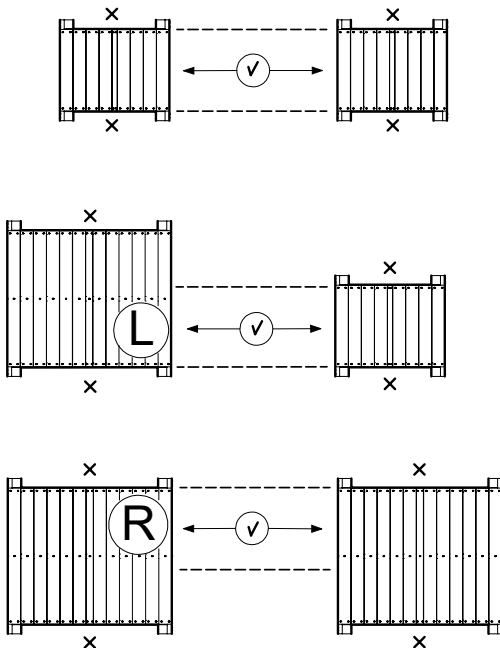
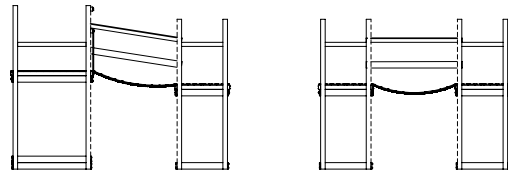
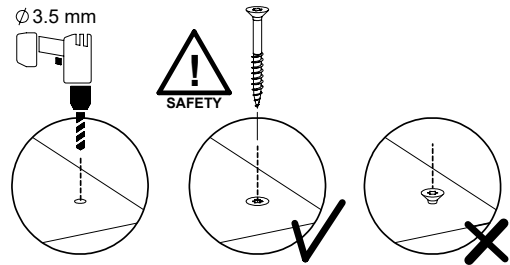
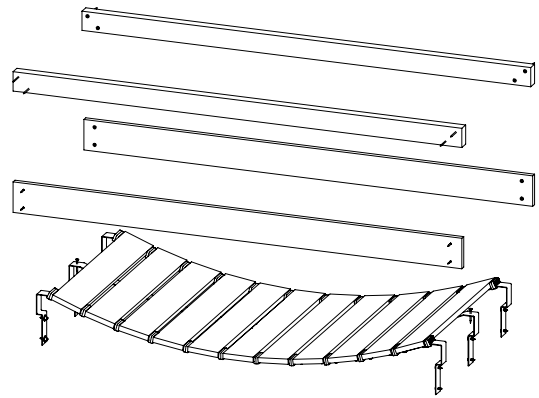


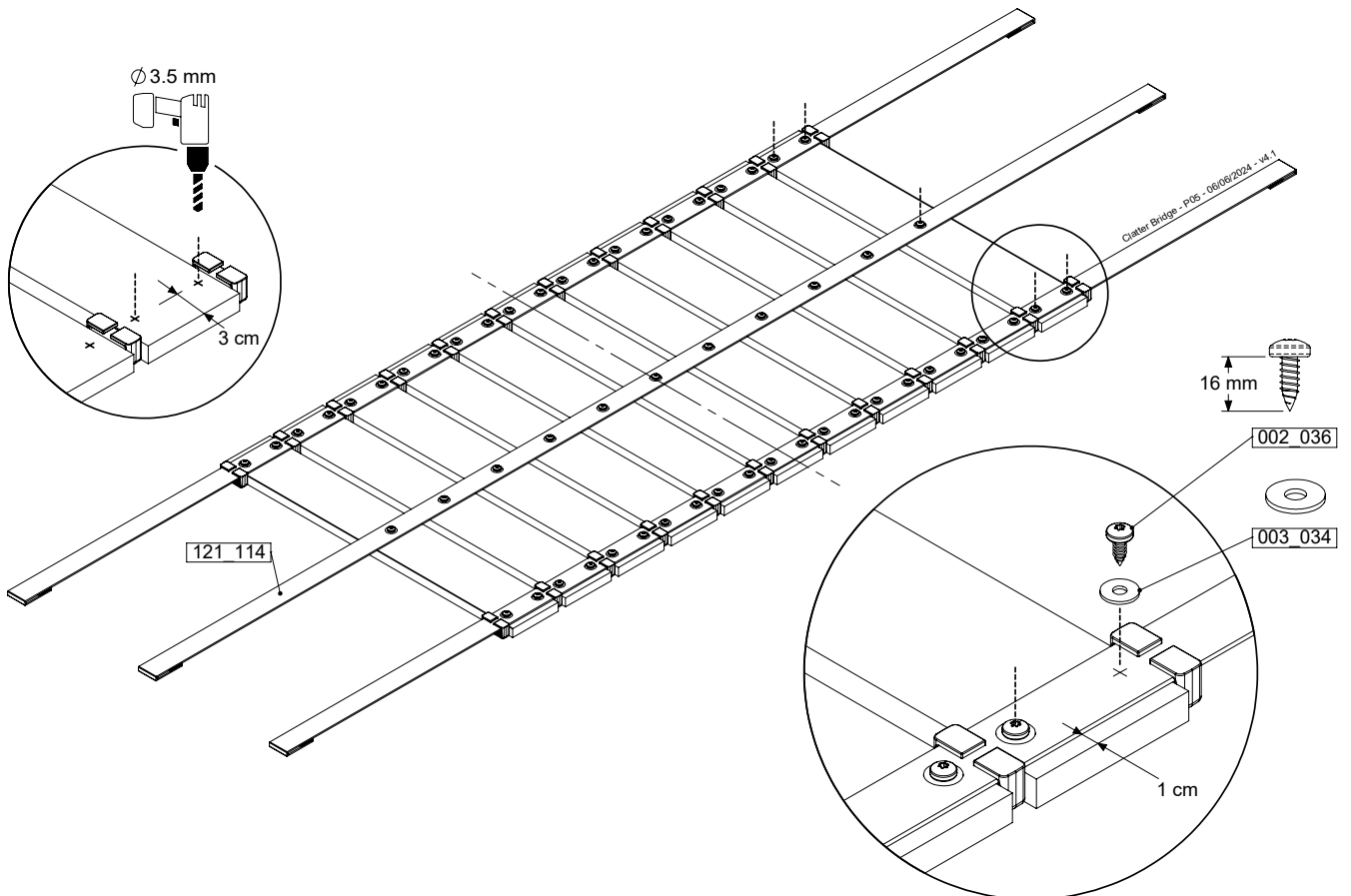
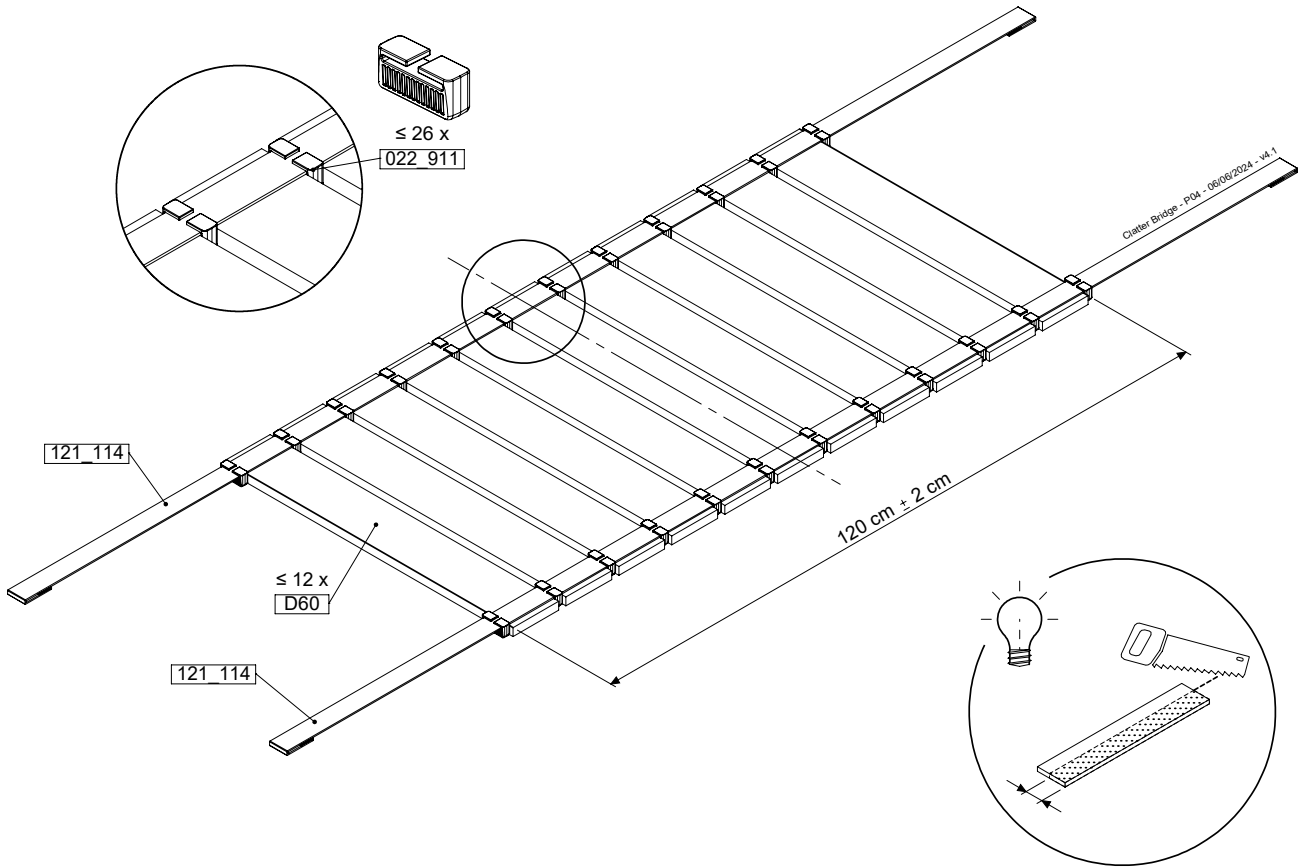
3 CB01a: Clatter Bridge - PART 1

Assembly Pack: 194_116

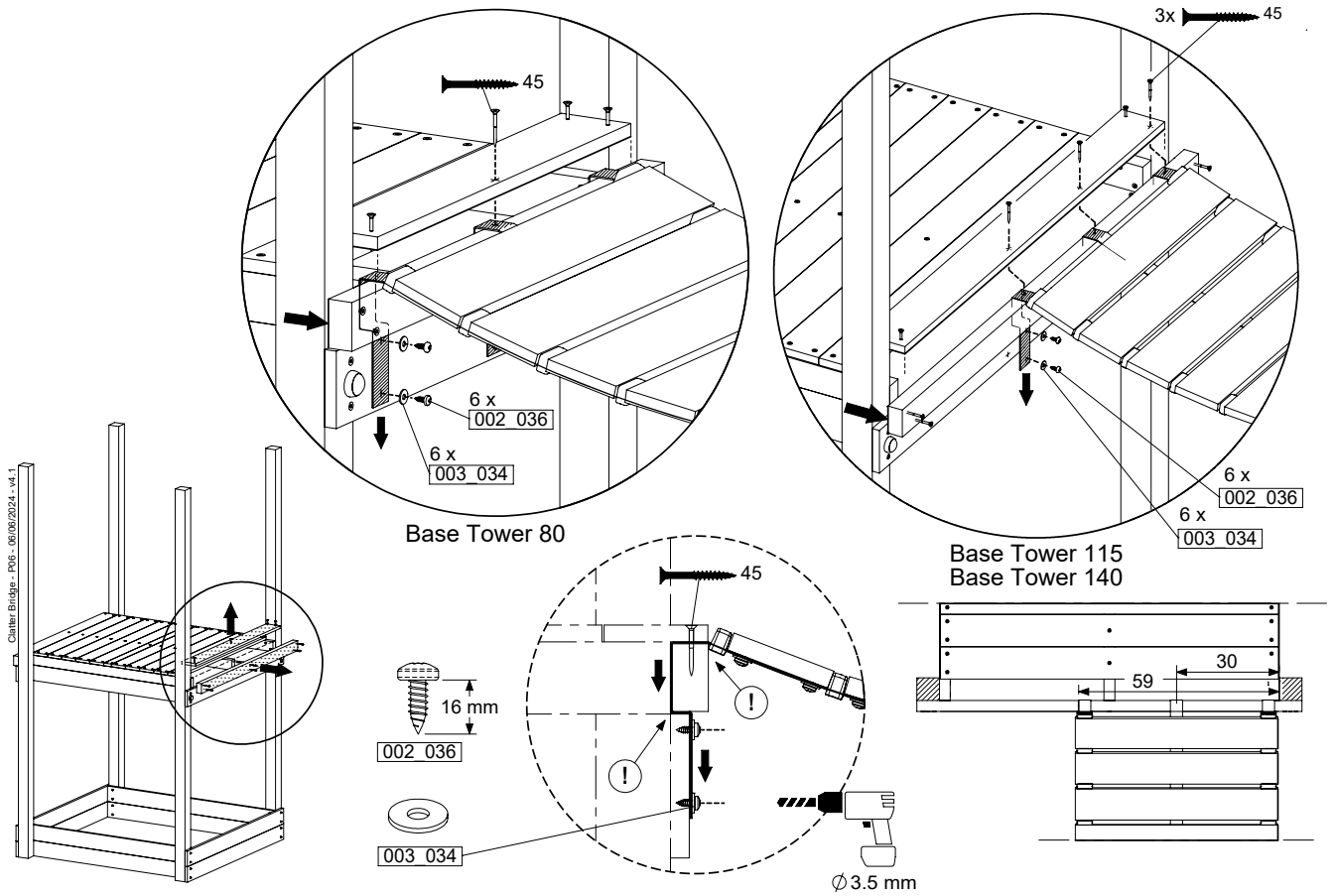
	PartNo	PartName	QTY.
Hardware + Parts	002_036	16mm Pan Head Tapping Screw T25	72
	002_220	Gap Point Screw T25 - 5x45	10
	002_223	Gap Point Screw T25 - 5x80	12
	003_034	M6 Washer	72
	022_911	Bridge Spacer	26
	121_114	BridgeLink Strap 210cm	3
Timber	C141	Beam 1410 mm	2
	D60	Board 600 mm	12
	D141	Board 1410 mm	2

Clatter Bridge - P02 - 08/06/2024 - v4.1





3.2

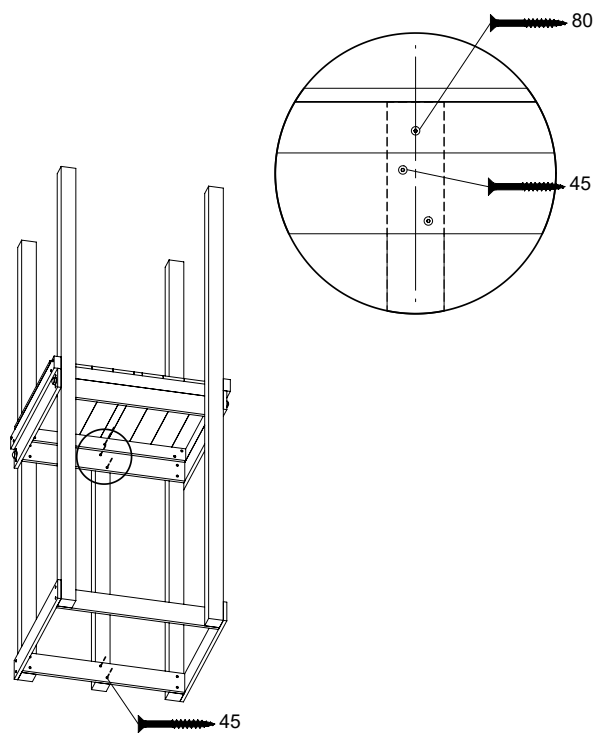
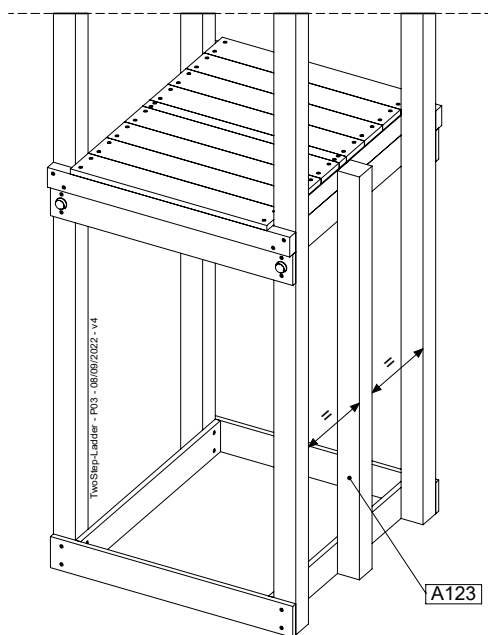
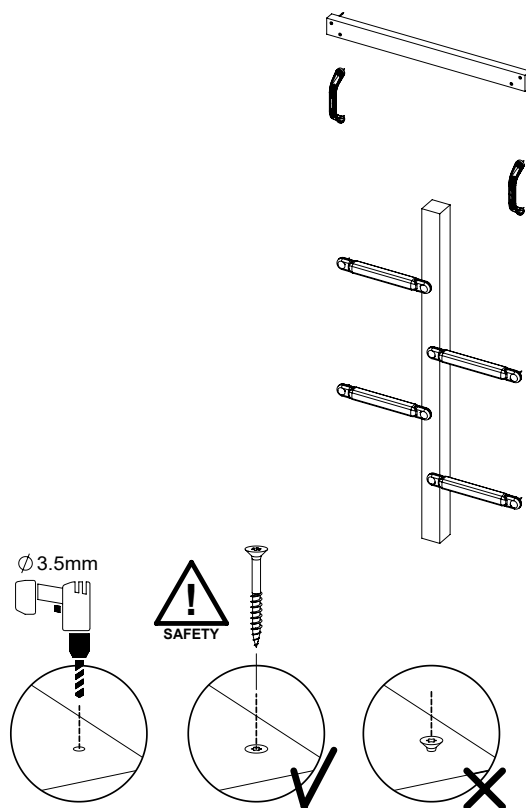


4 TS01b: Two Step 80 125 U

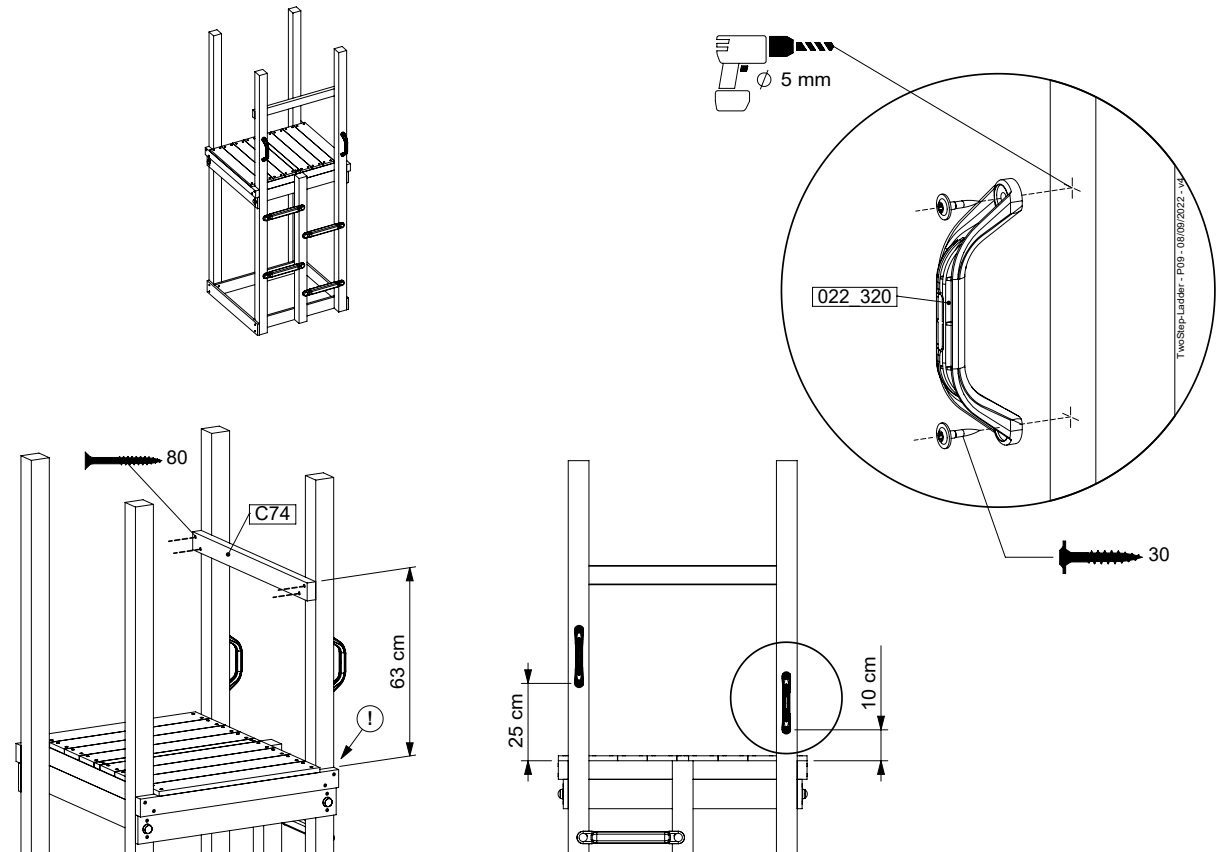
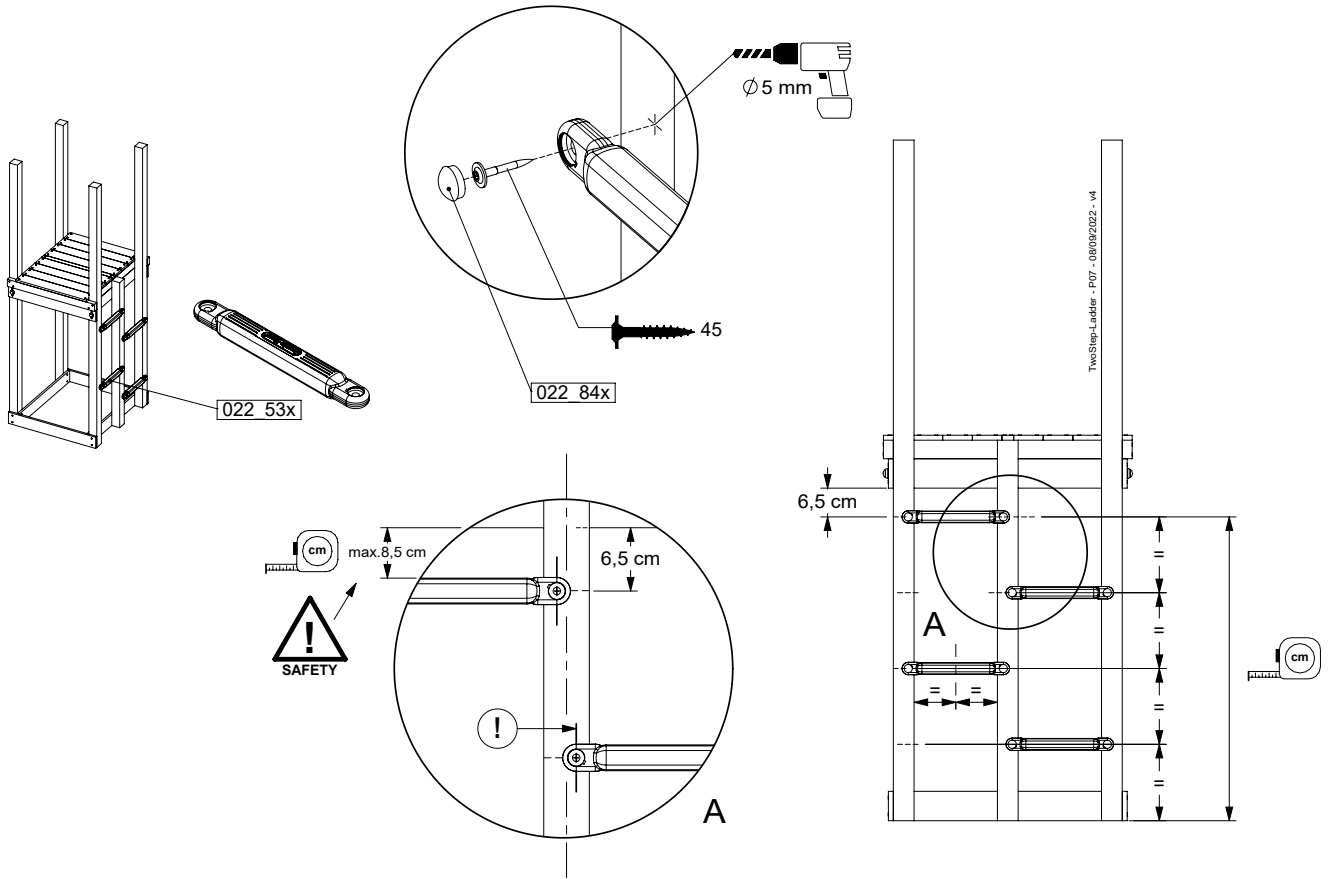
(194_102 / 194_002)

	PartNo	PartName	QTY.
Hardware Pack 100_602 /100_902	001_406	Stealth Screw 8x45	8
	002_220	Gap Point Screw T25 - 5x45	4
	002_223	Gap Point Screw T25 - 5x80	5
Other	022_53x	Ladder/ Rope Rung 30cm	4
	022_84x	bpc cover	8
	120_102	Handgrip set (2x Complete)	1
Timber	A123	Post 70x70 L1230	1
	C74	Beam 740 mm	1

TwoStep-Ladder - P102 - 08/09/2022 - v4



4.1

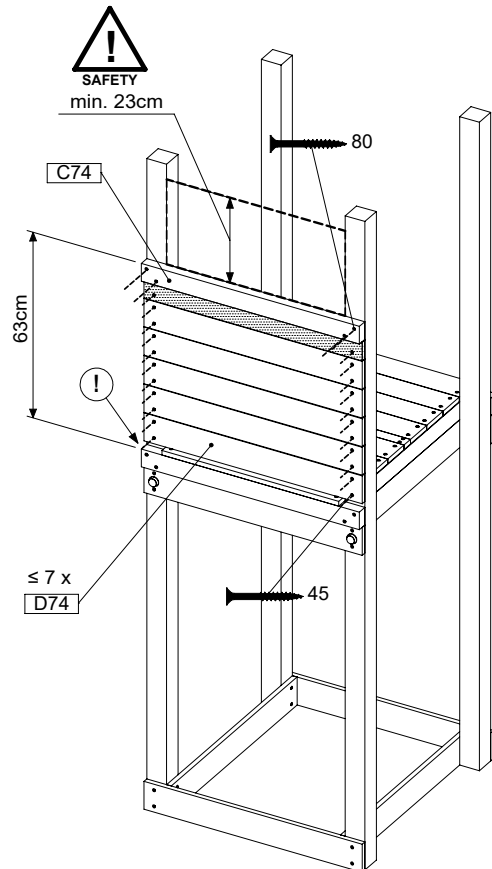
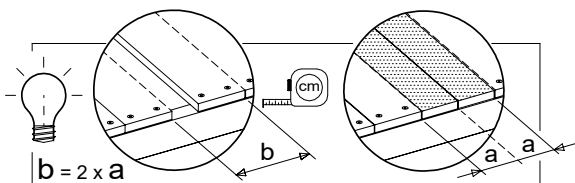
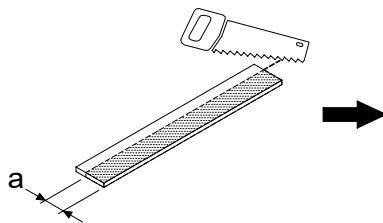
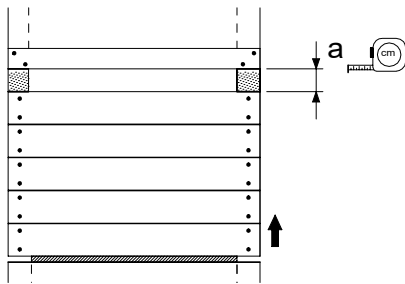
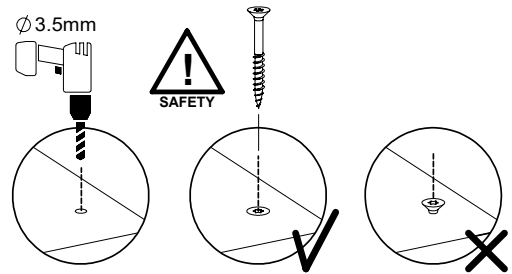
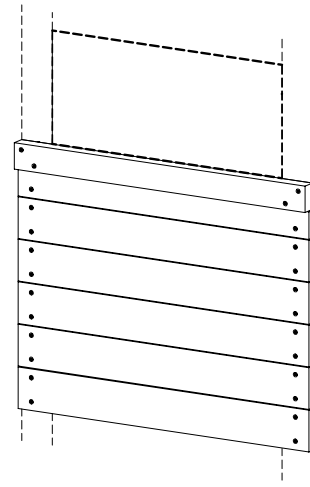


5 PH06a: Playhouse Window Panel 80 T

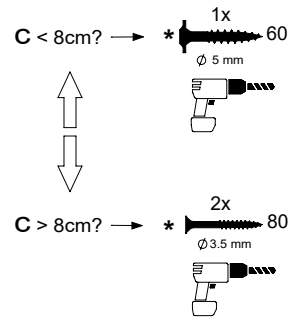
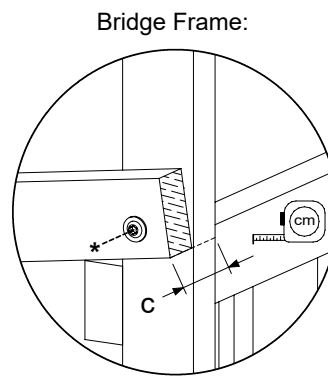
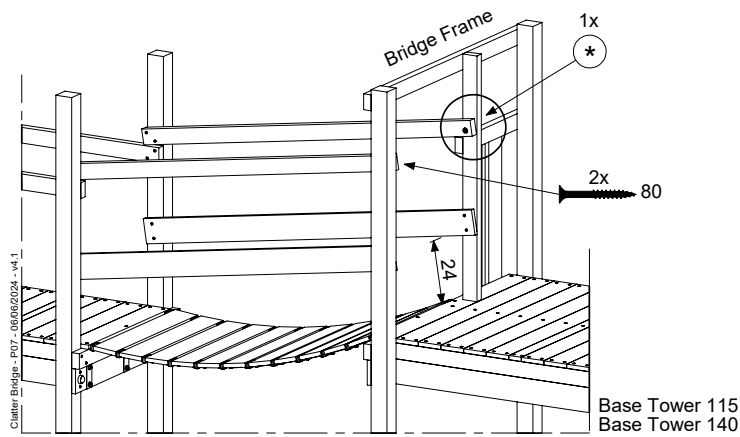
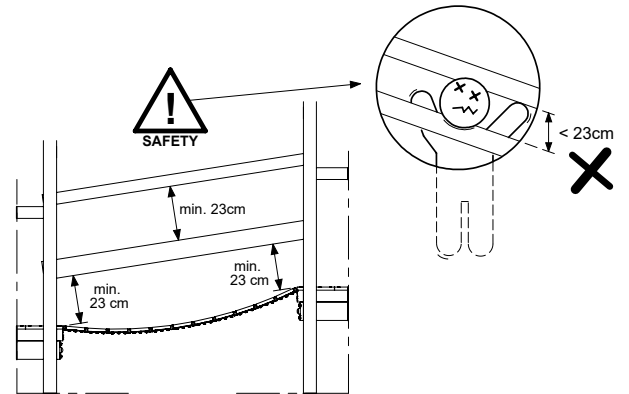
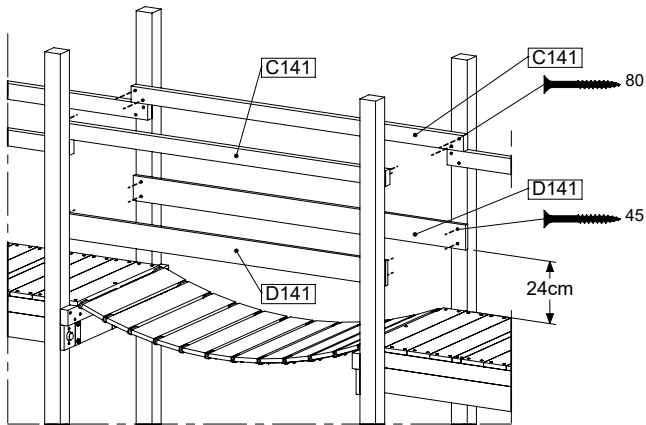
Assembly Pack: 194_501

	PartNo	PartName	QTY.
Hardware + Parts	002_220	Gap Point Screw T25 - 5x45	28
	002_223	Gap Point Screw T25 - 5x80	4
Timber	C74	Beam 740 mm	1
	D74	Board 740 mm	7

Playhouse Walls - P06 WIN T - 15/05/2024 - v4.2



6 CB01a: Clatter Bridge - PART 2



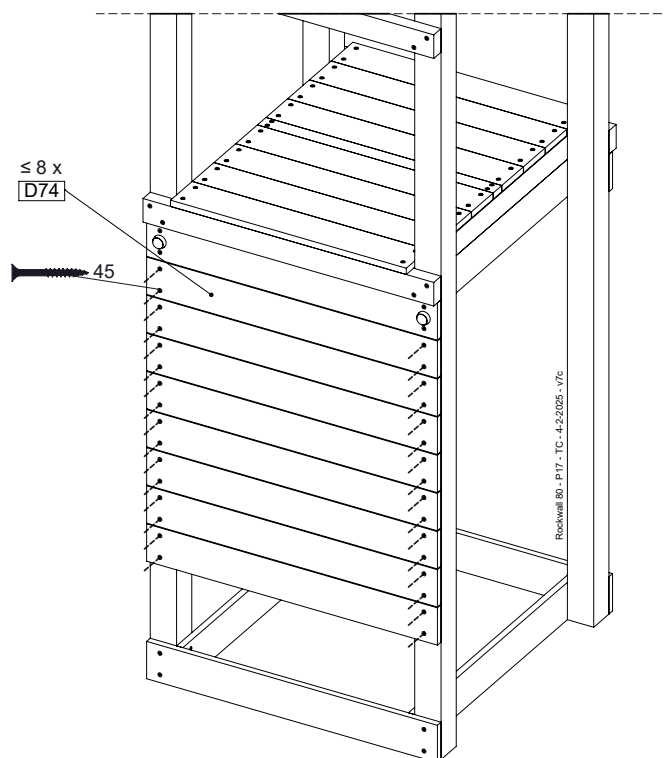
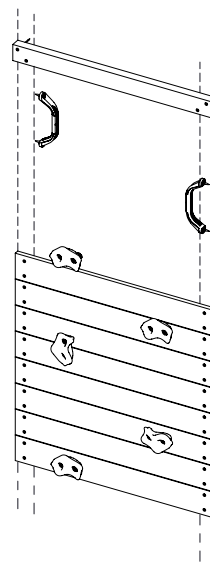
Clatter Bridge - BDT_0448/0204...v1

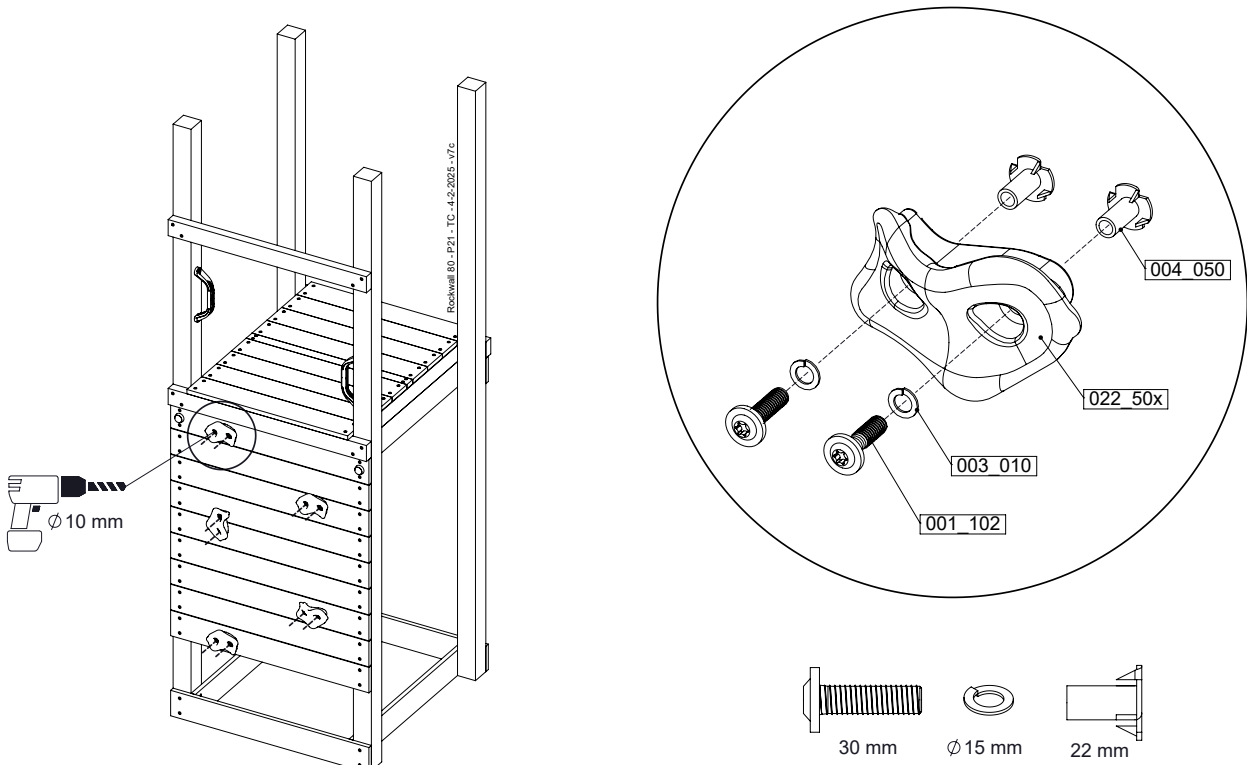
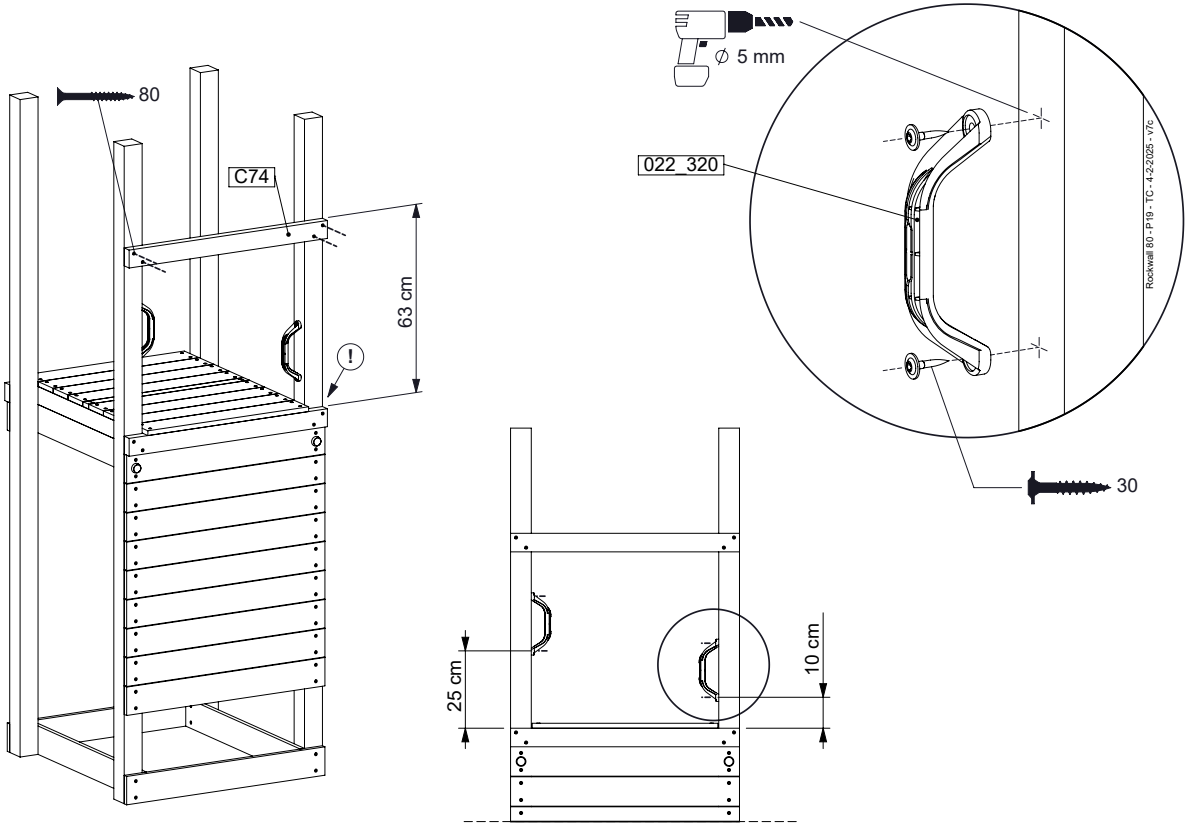
7 RW32a: Rock wall 80 125 T Closed

Assembly Pack: 194_006

	PartNo	PartName	QTY.
Hardware + Parts	001_102	Washer Head Screw T40 M8x30	10
	002_220	Gap Point Screw T25 - 5x45	32
	002_223	Gap Point Screw T25 - 5x80	4
	003_010	M8 spring lock washer	10
	004_050	M8 Drive-in Nut 22mm	10
	022_50x	Climbing Rock	5
	120_102	Handgrip set (2x Complete)	1
Timber	C74	Beam 740 mm	1
	D74	Board 740 mm	8

Rockwall 80 - F06 - 125TC - 4-2-2025 - v7c



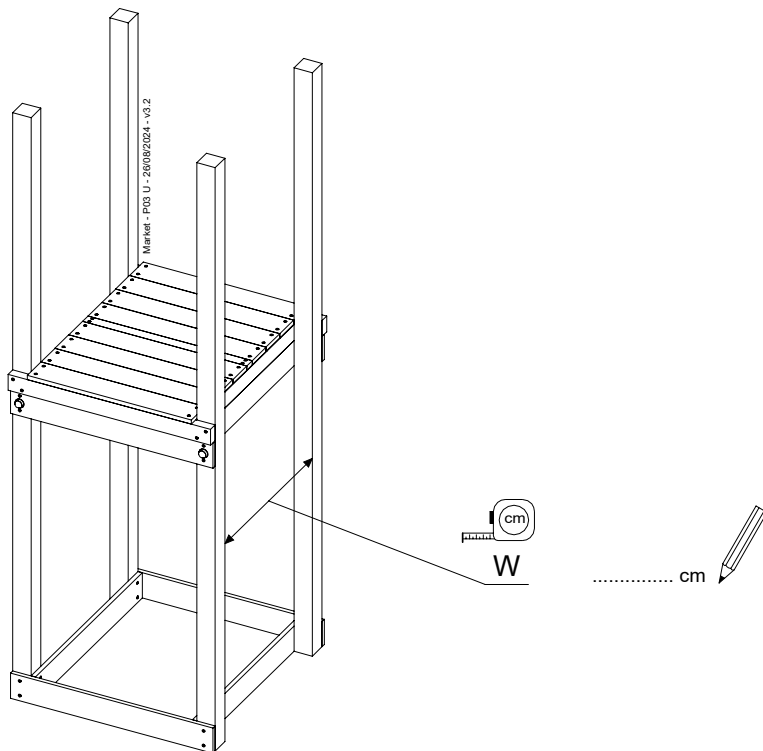
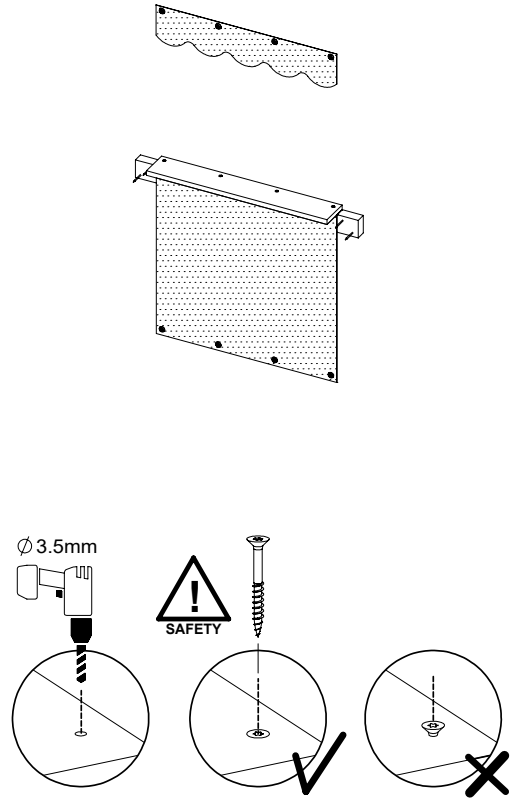


8 MT01a: Market 80 U

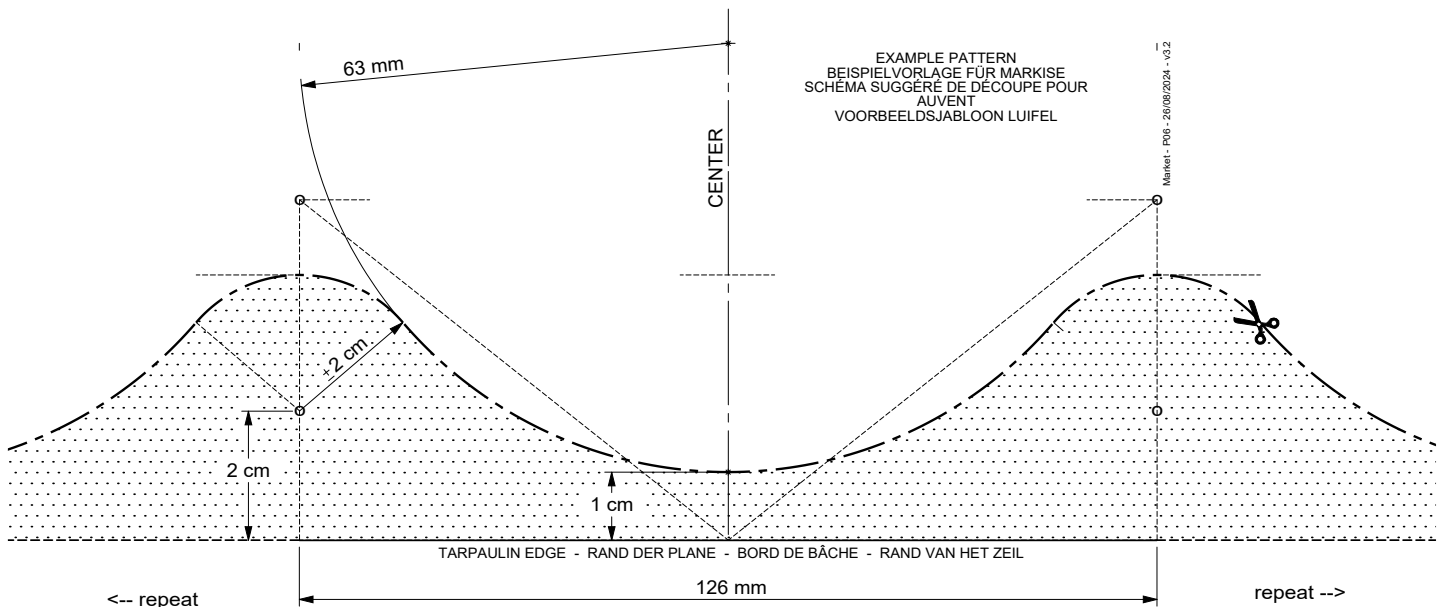
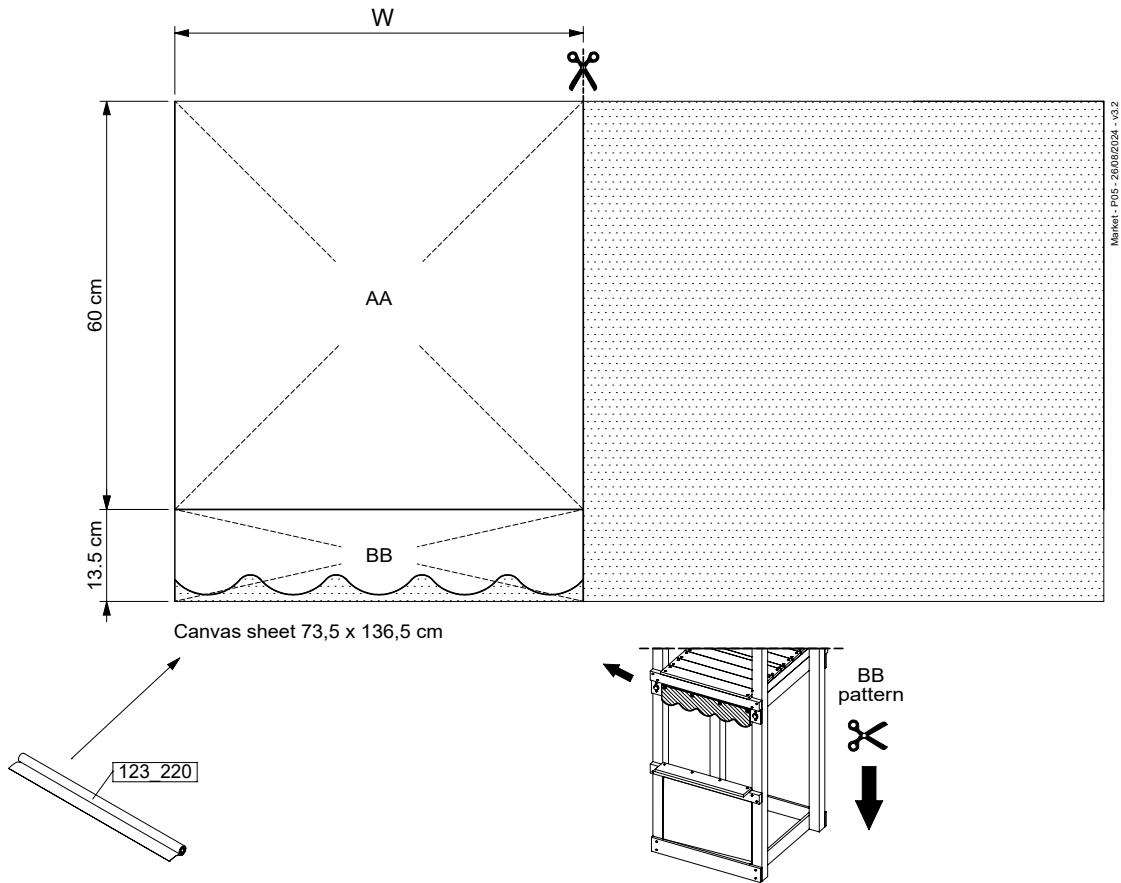
Assembly Pack: 194_113 (a) / 194_101 (b)

	PartNo	PartName	QTY.
Hardware + Parts	002_220	Gap Point Screw T25 - 5x45	4
	002_223	Gap Point Screw T25 - 5x80	4
	002_308	Gap Point Screw T25 - 5x20	8
	023_031	Finishing Washer GPS 5.0	8
	123_220	Canvas sheet 735x1365	1
Timber	C74	Beam 740 mm	1
	D60	Board 600 mm	1

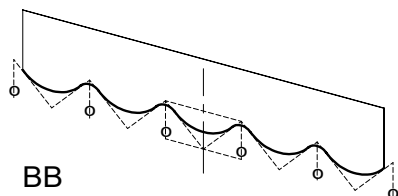
Market - P14U - 2608/2024 - v3.2

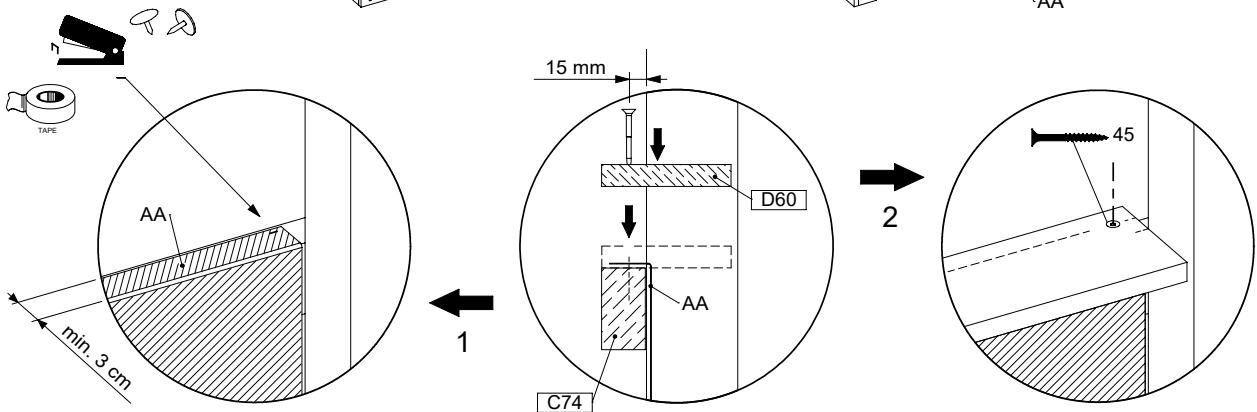
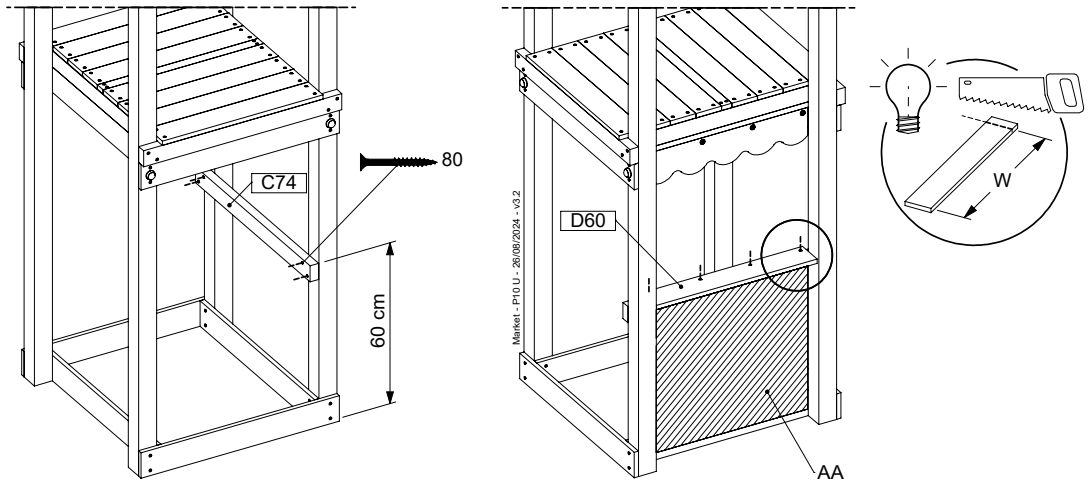
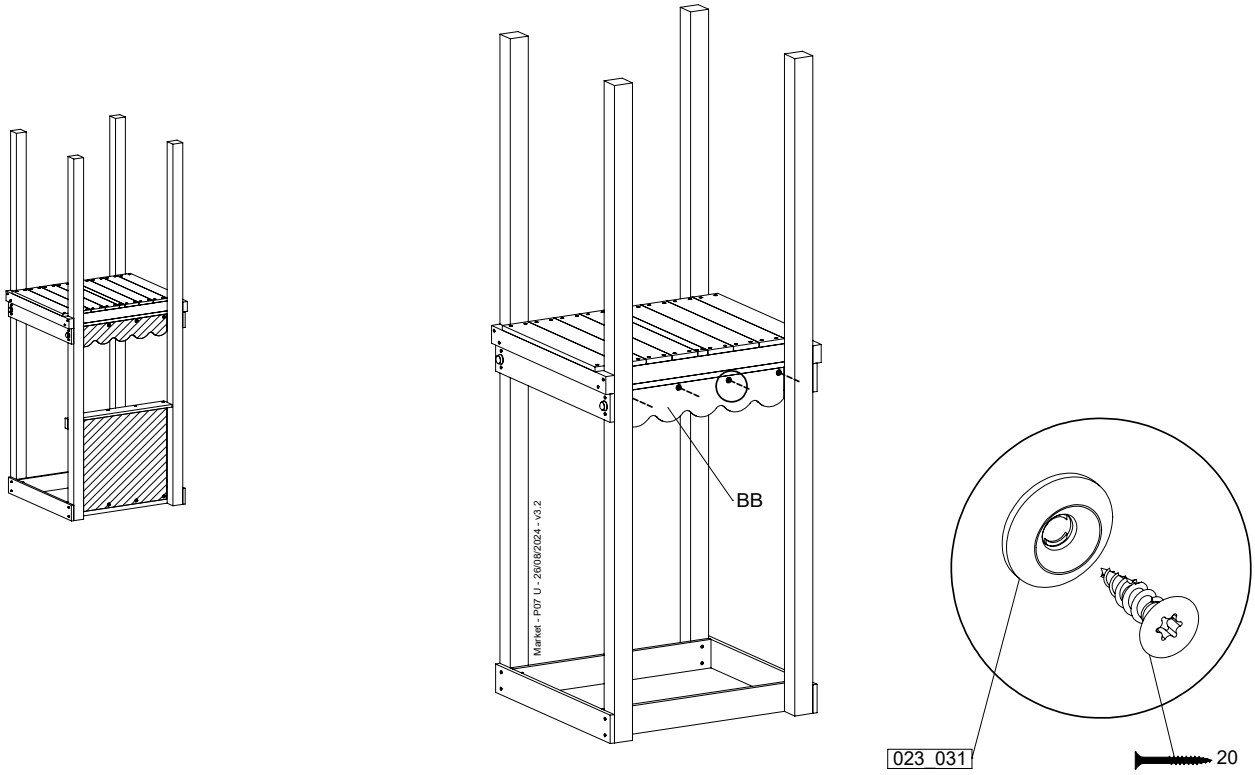


8.1

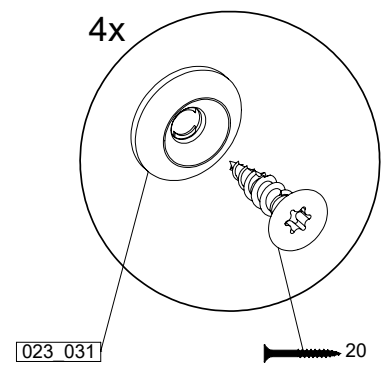
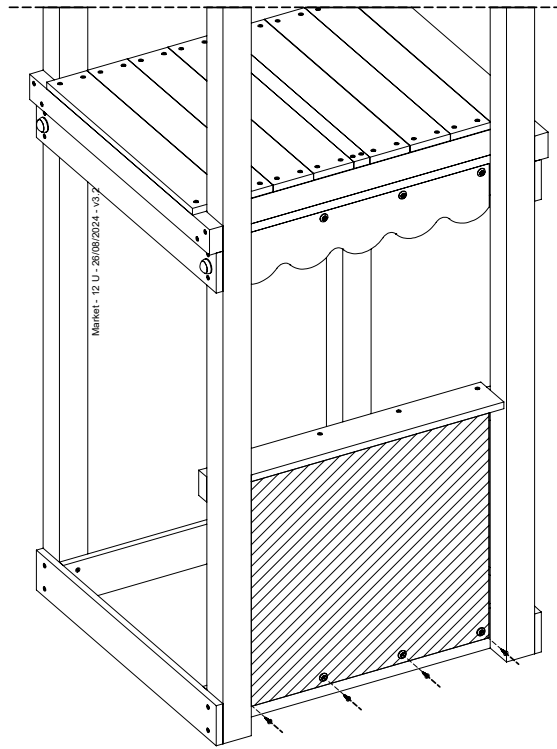


! Scale of print may not be accurate.
Druckformat kann abweichen.
Les tailles imprimées peuvent varier.
Printformaat kan afwijken.

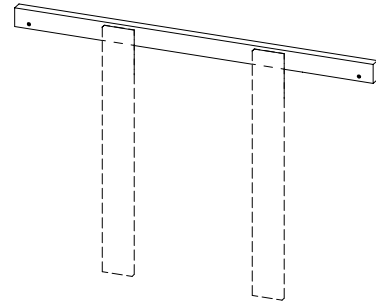
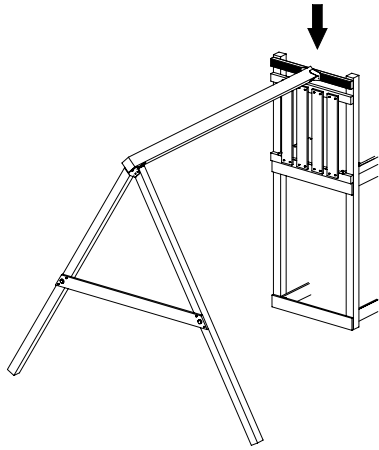




8.3



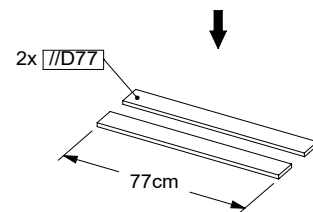
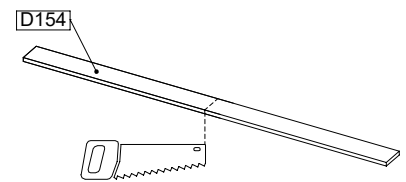
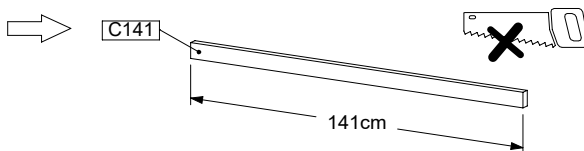
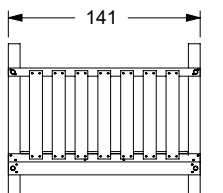
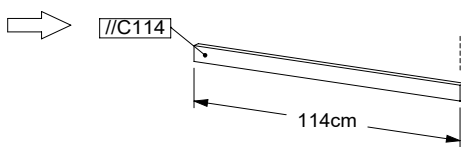
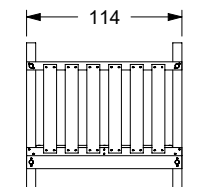
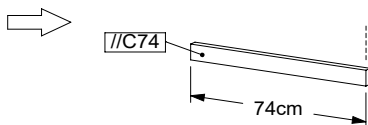
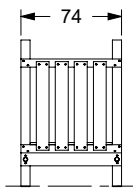
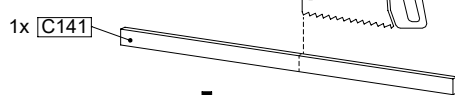
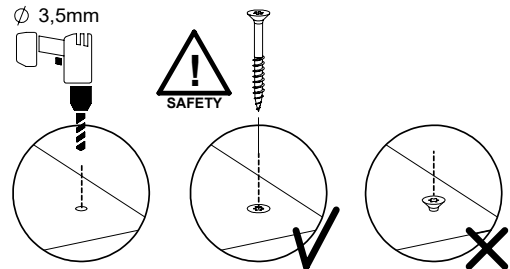
9 UB07a: Swing Mounting Set Uni - PART 1



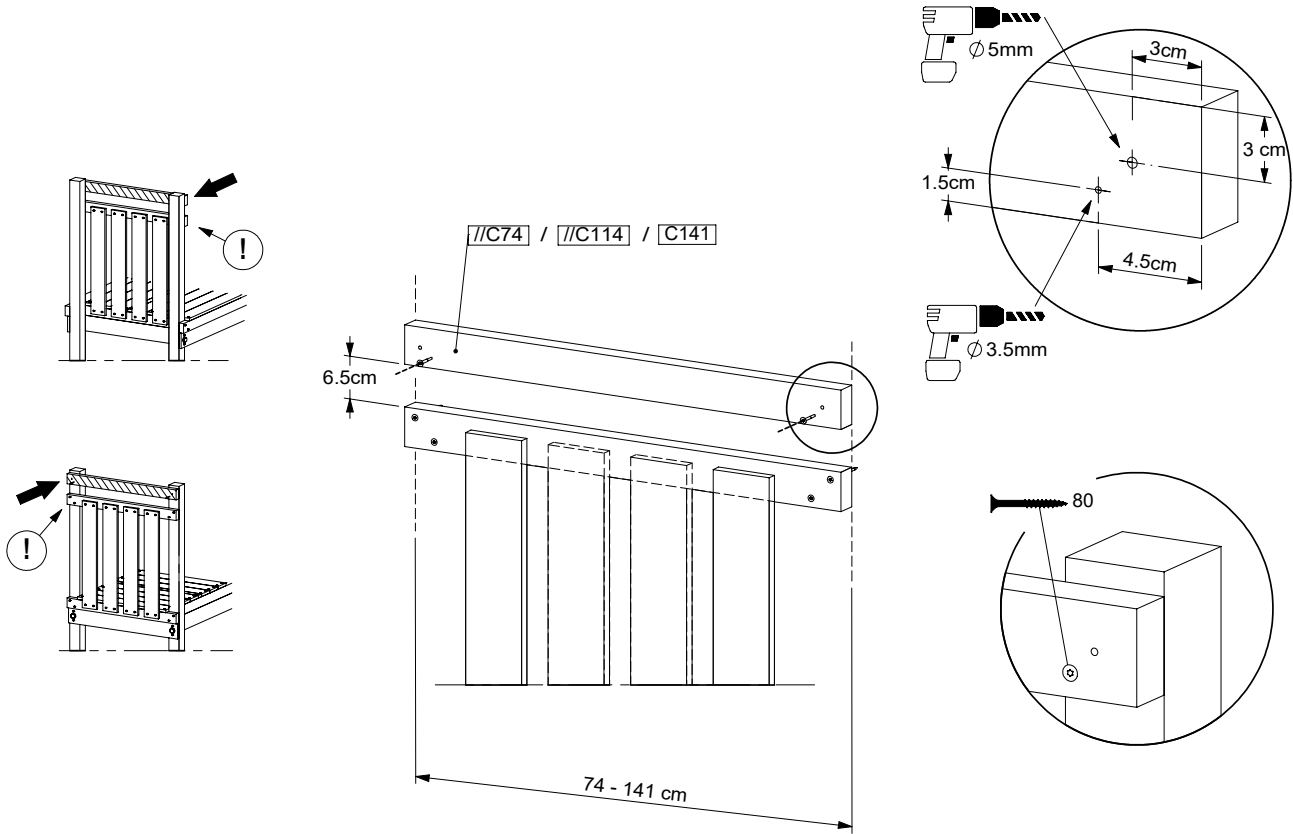
Assembly Packs: 457_103 / 457_107 (Swing / Climb Kit)

	PartNo	PartName	QTY.
Hardware	002_223	Gap Point Screw T25 - 5x80	2
Timber	C141	Beam 1410 mm	1
	D154	Board 1540 mm	1

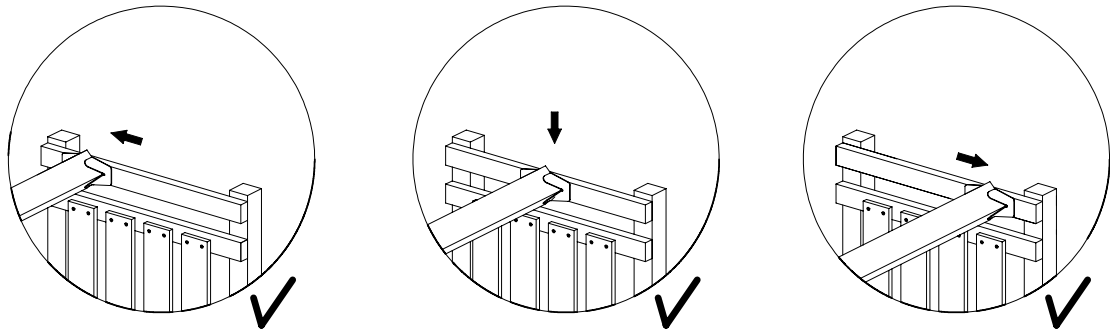
Swing Mounting Set - P02 - 23/09/2024 - v1.0



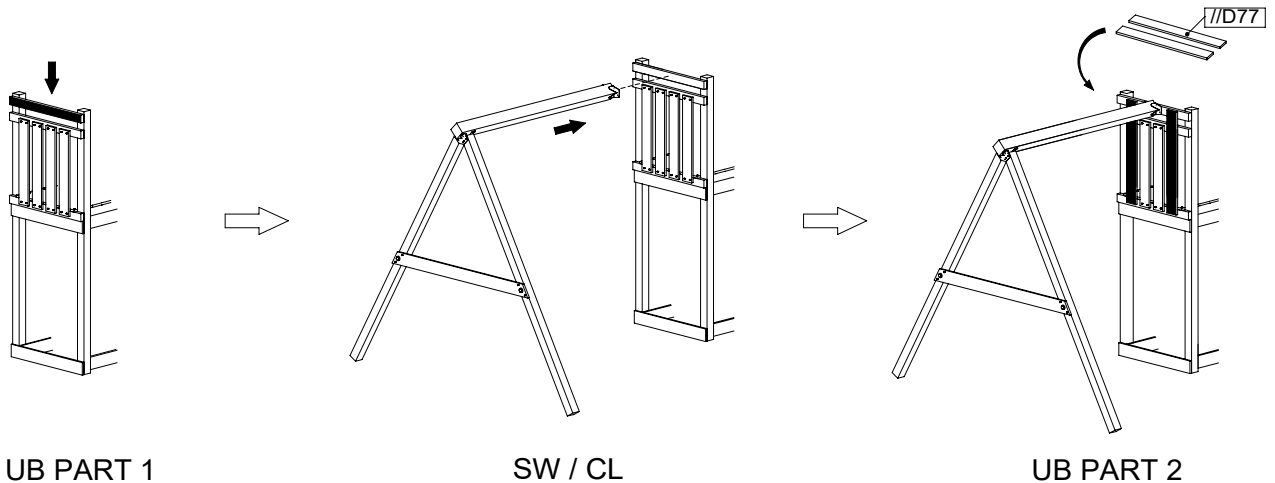
Swing Mounting Set - P03 - 23/09/2024 - v1.0



Swing Mounting Set - PM4 - 23/09/2024 - v1.0



Swing Mounting Set - P05 - 23/09/2024 - v1.0



UB PART 1

SW / CL

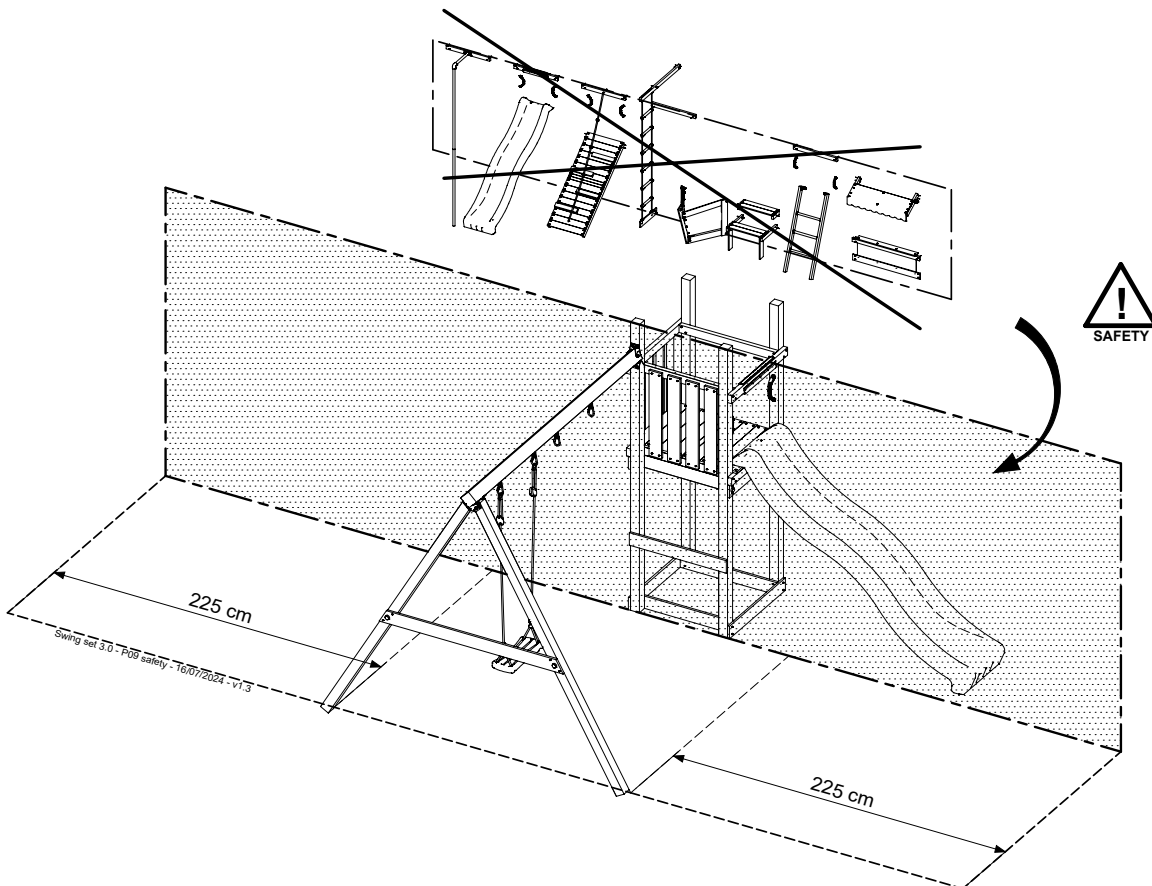
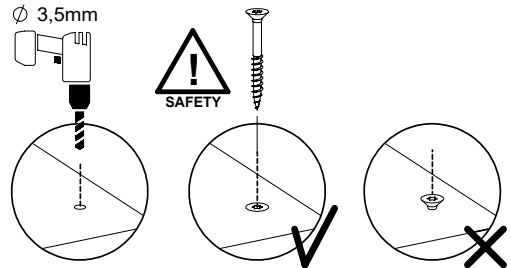
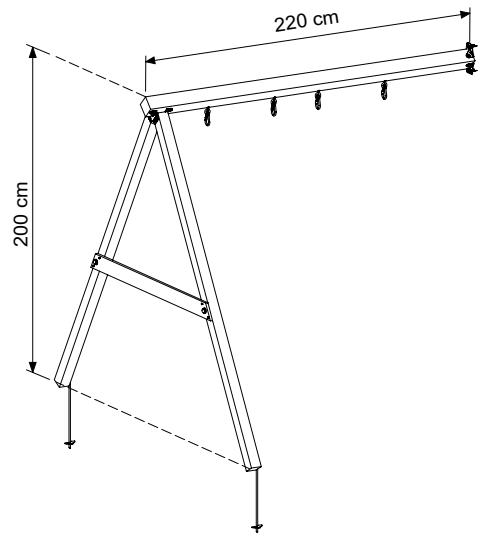
UB PART 2

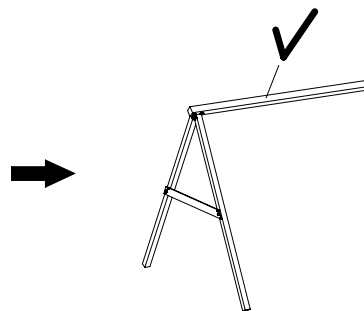
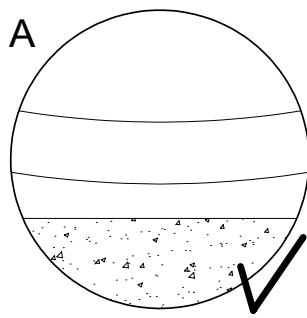
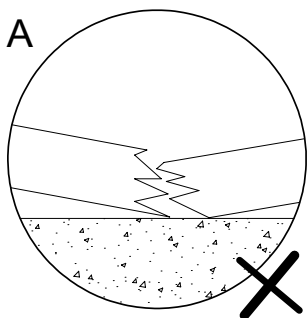
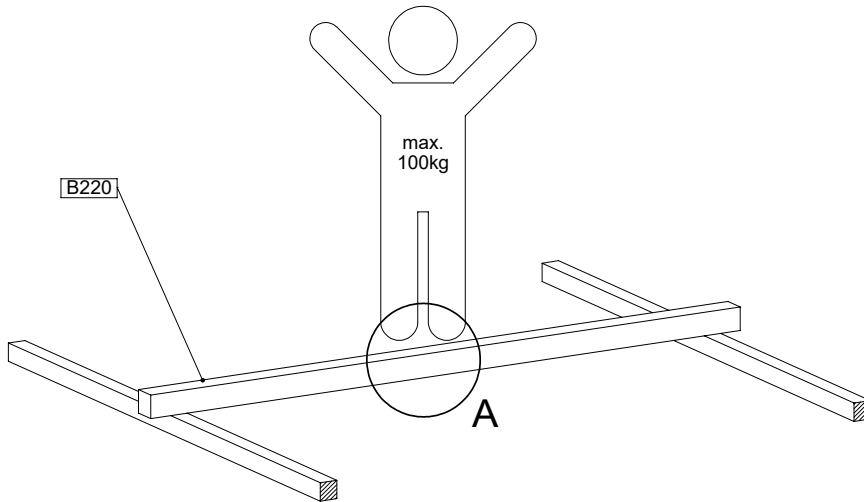
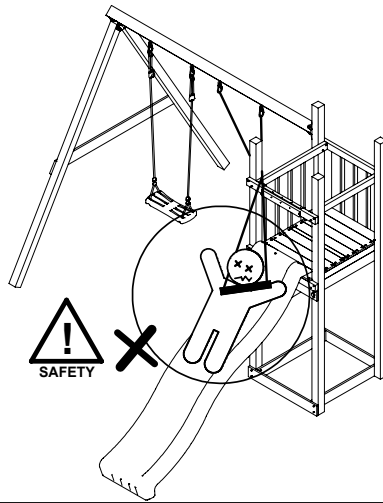
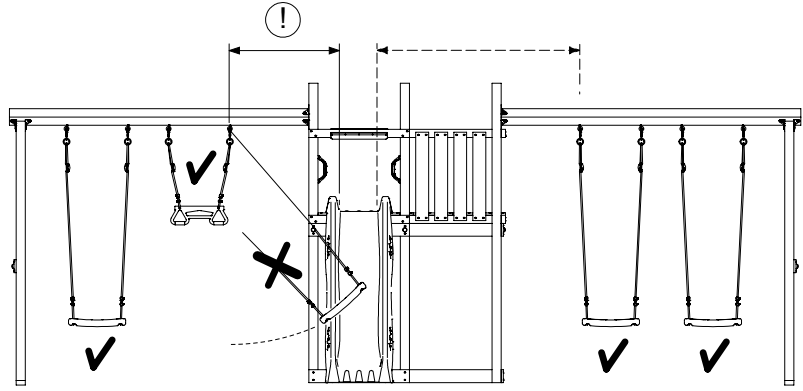
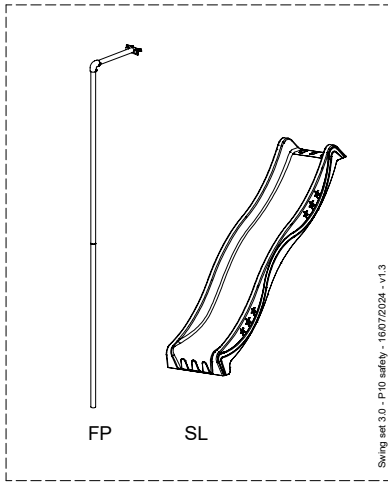
10 SW06b: 2- Swing Module 200 - 3.0

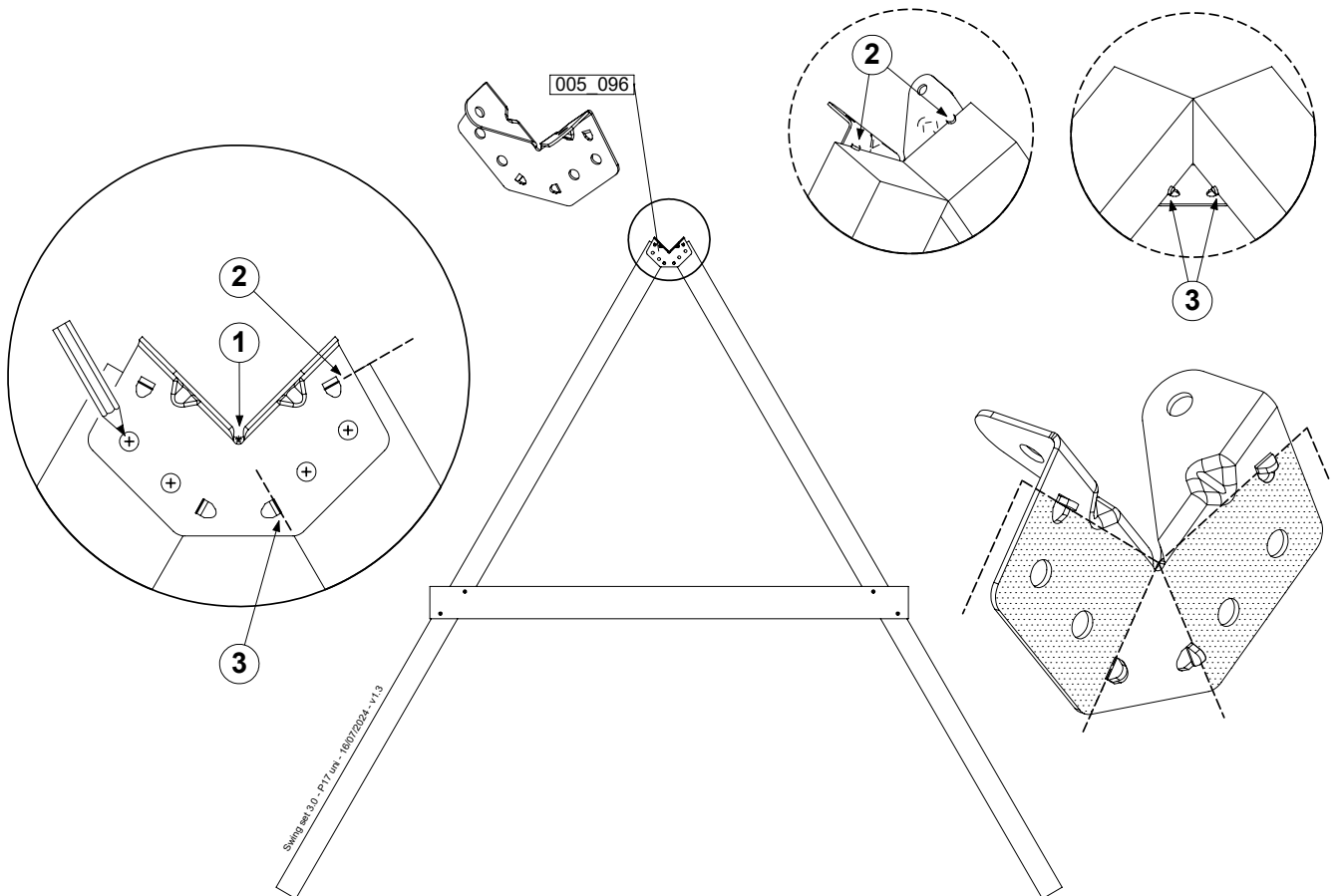
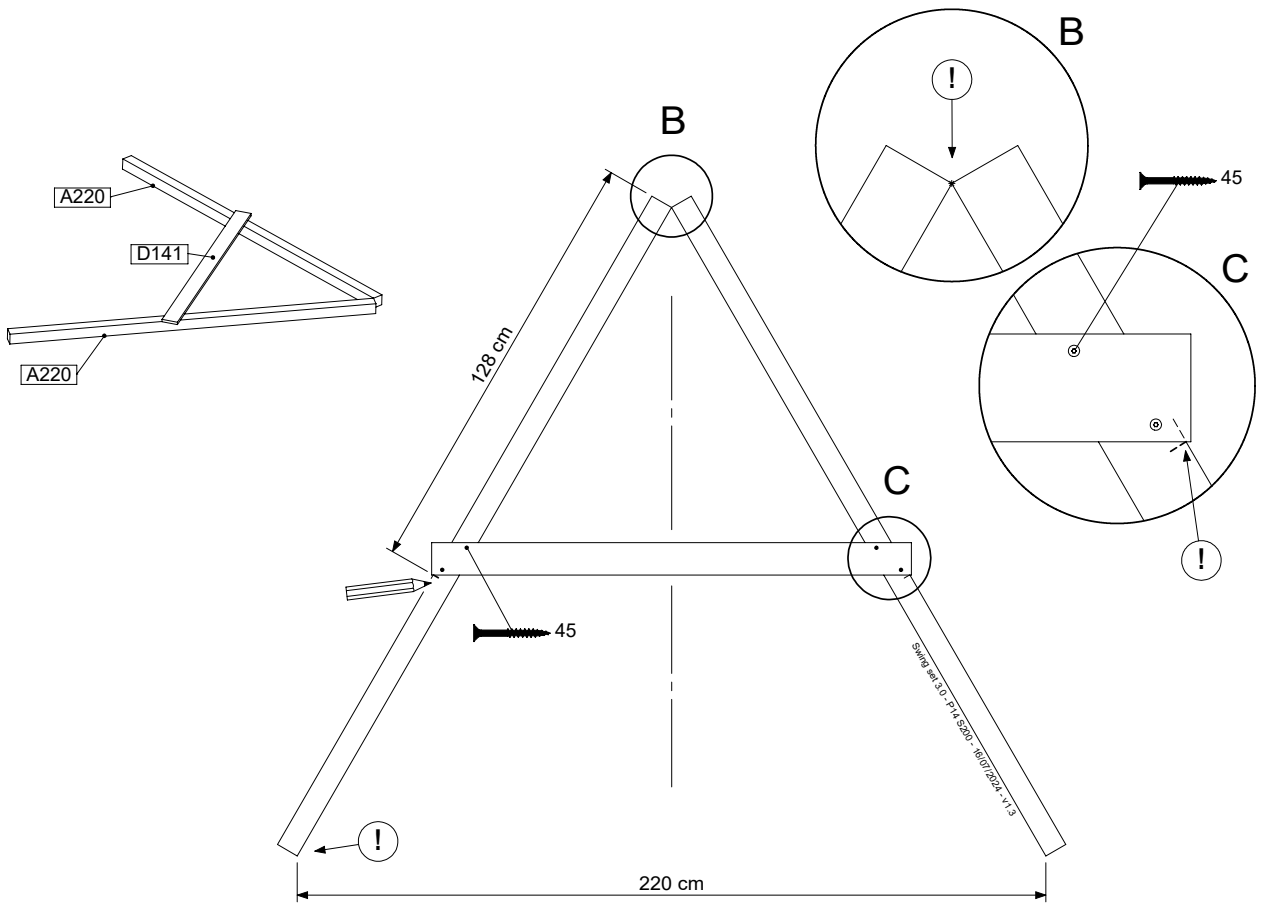
Assembly Kit: 457_103

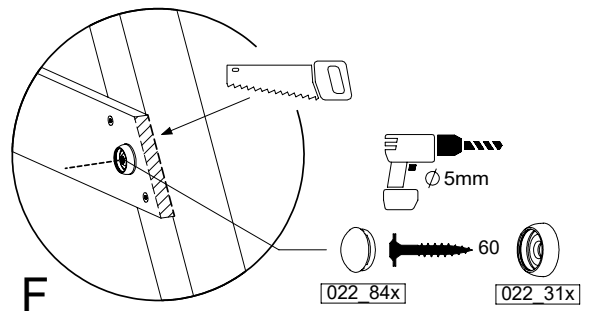
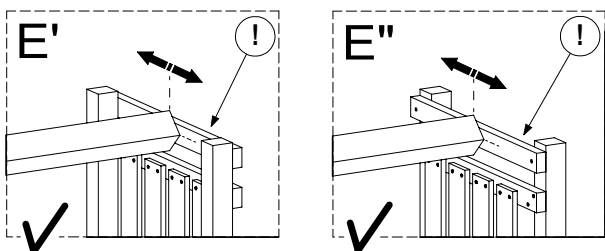
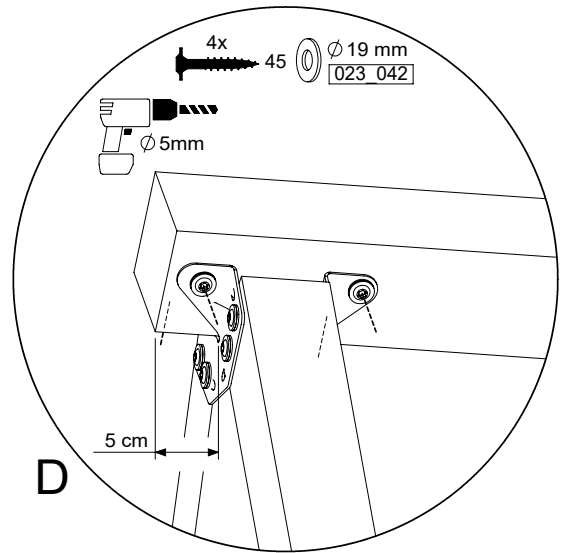
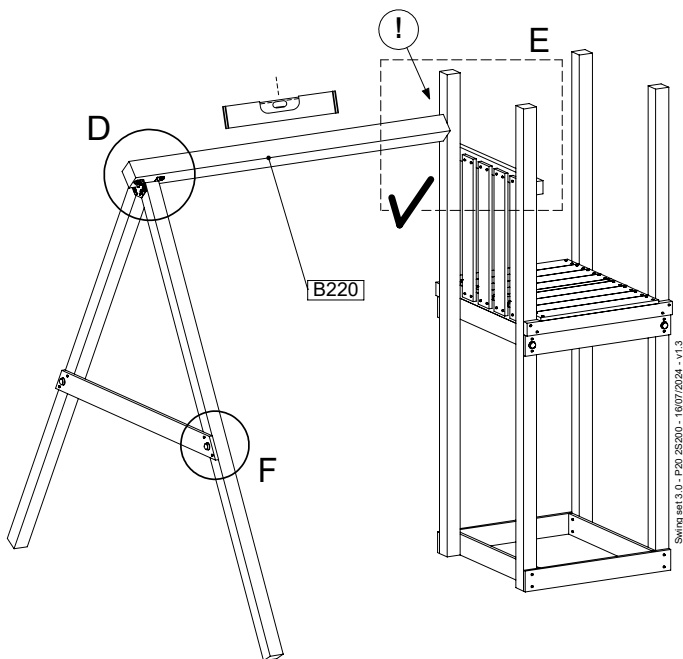
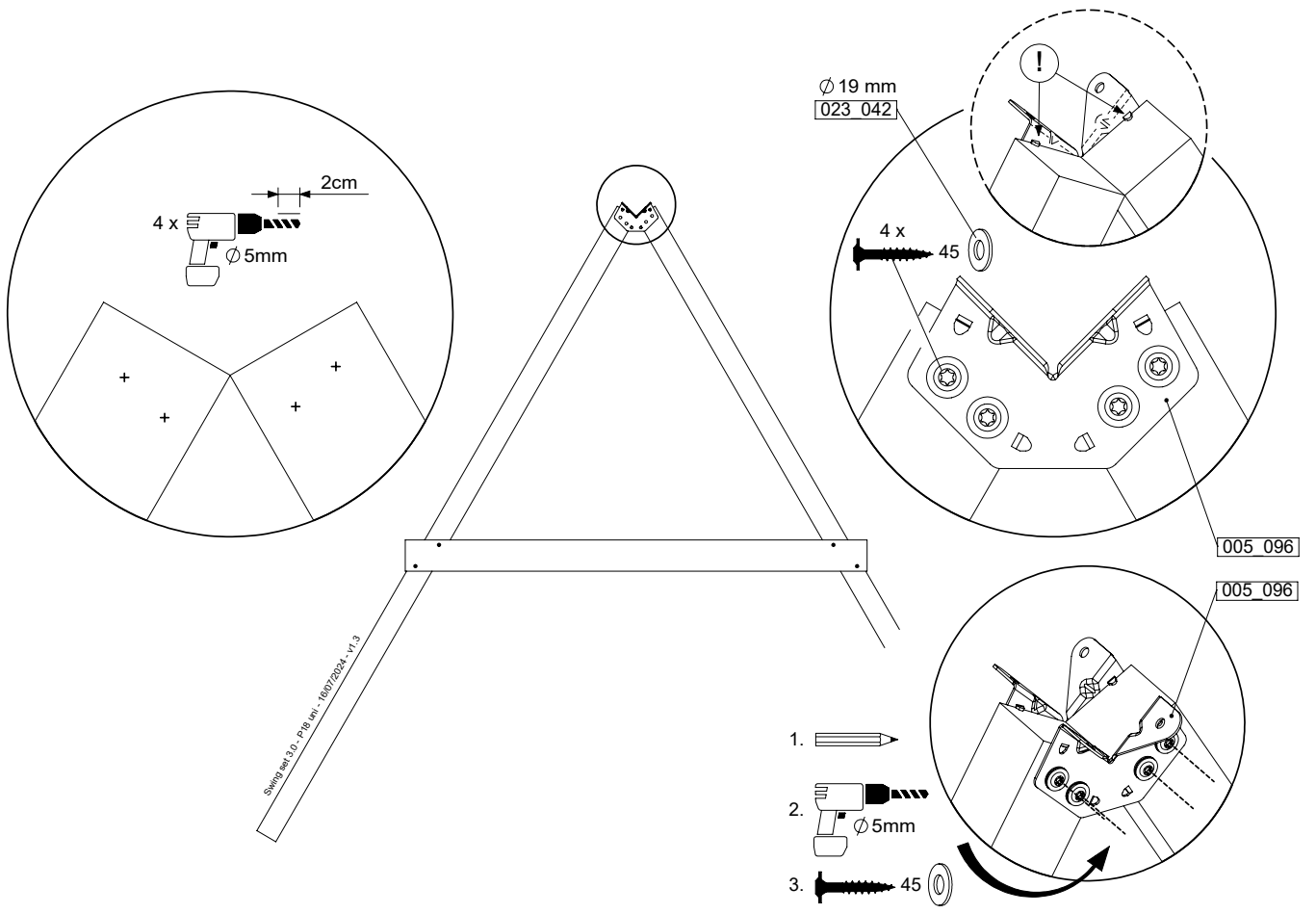
	PartNo	PartName	QTY.
Hardware + Parts	001_404	Stealth Screw 8x30	4
	001_406	Stealth Screw 8x45	22
	001_411	Stealth Screw 8x60	2
	001_417	Stealth Screw 8x80	2
	002_220	Gap Point Screw T25 - 5x45	8
	002_223	Gap Point Screw T25 - 5x80	2
	022_31x	bpc-base version 3	2
	022_84x	bpc cover	2
	023_042	Nylon washer 9x19x1.5	20
	005_096	A-Frame V-Connector	2
	005_097	Swing V-Connector	2
	007_001	Ground-anchor	2
	101_003	Swing hook with Carabiner	4
Timber	A220	Post ca.70x70 L2200	2
	B220	Post ca.90x90 L2200	1
	D141	Board 1410 mm	2

Swing set 3.0 - P04 25200 - 16/07/2024 - v1.3



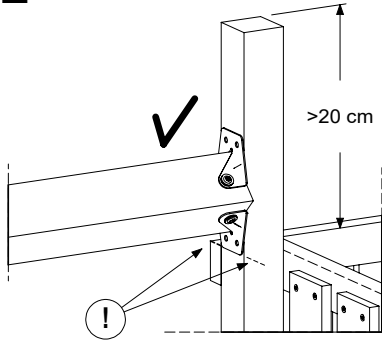




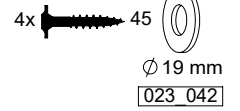
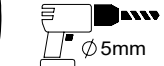
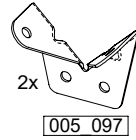
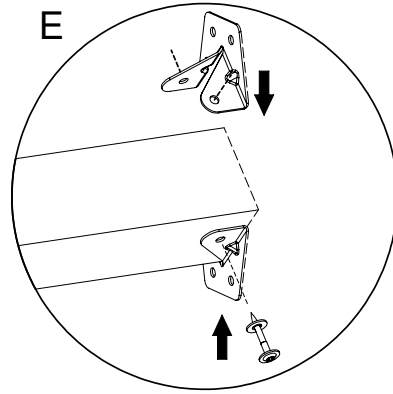


10.4

E

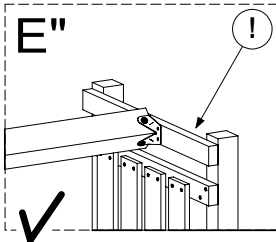
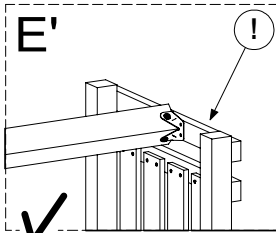
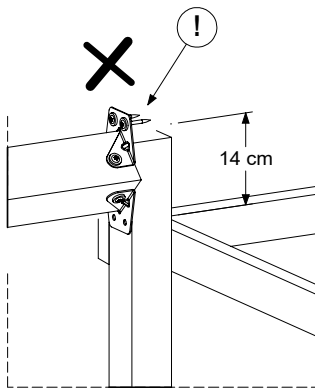


E

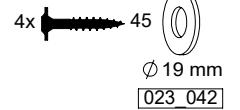
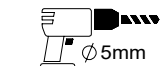
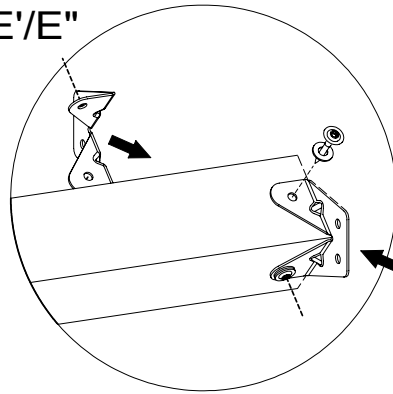


Swing set 3.0 - P22 uni - 16/07/2024 - v1.3

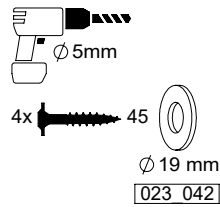
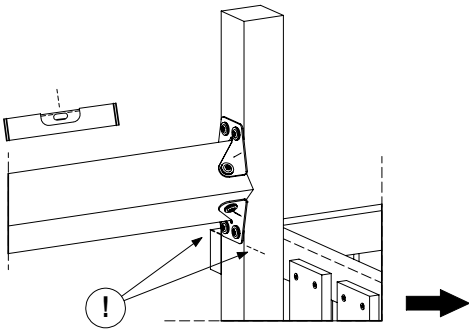
E'/E''



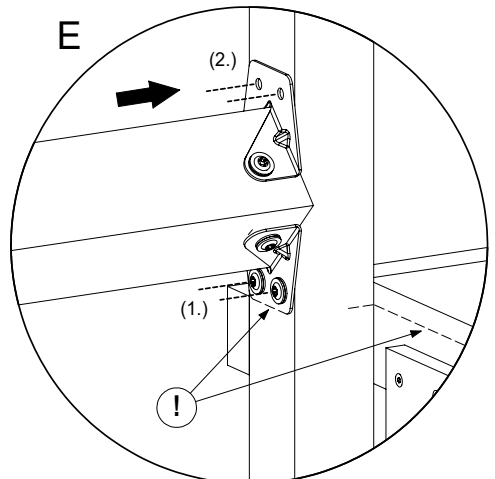
E'/E''



E

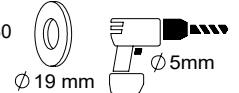
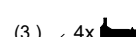
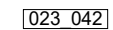
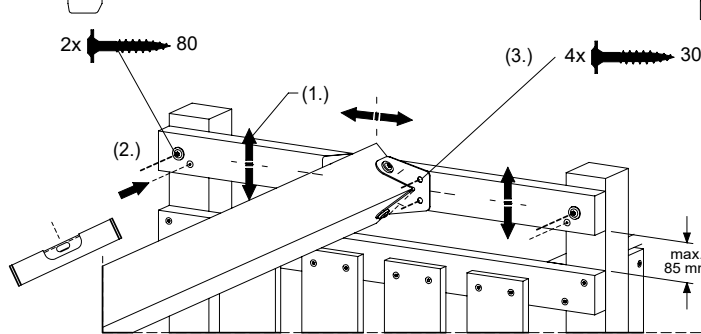
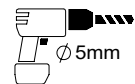
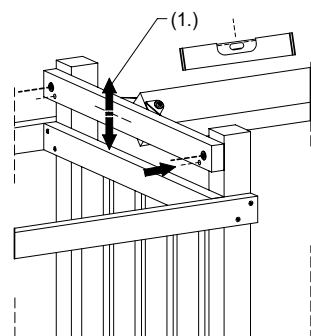


E



Swing set 3.0 - P23 uni - 16/07/2024 - v1.3

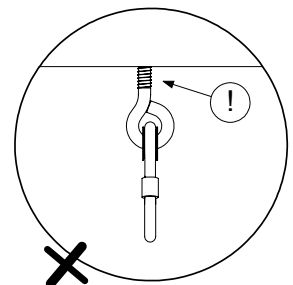
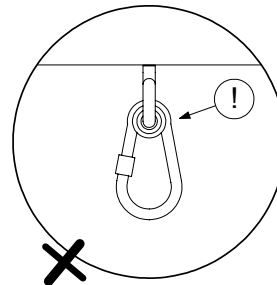
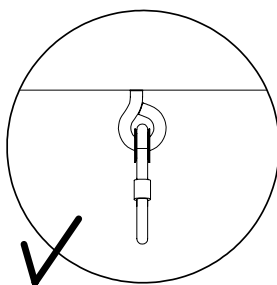
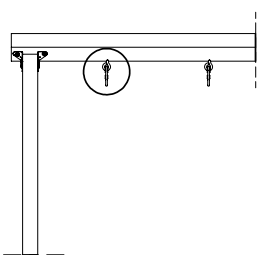
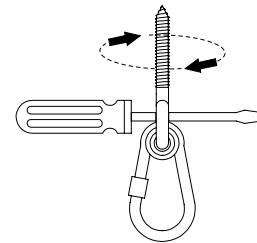
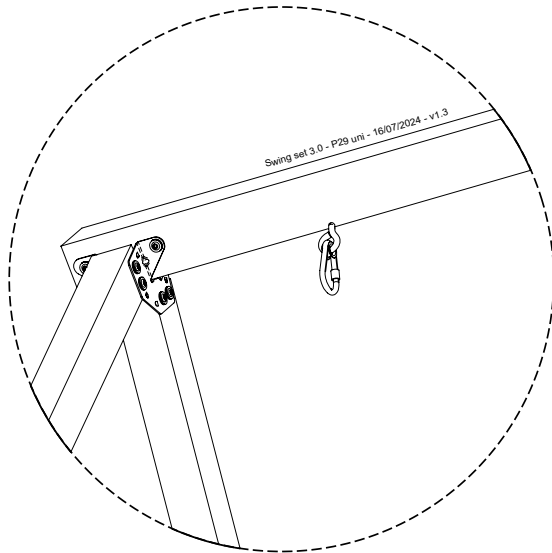
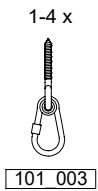
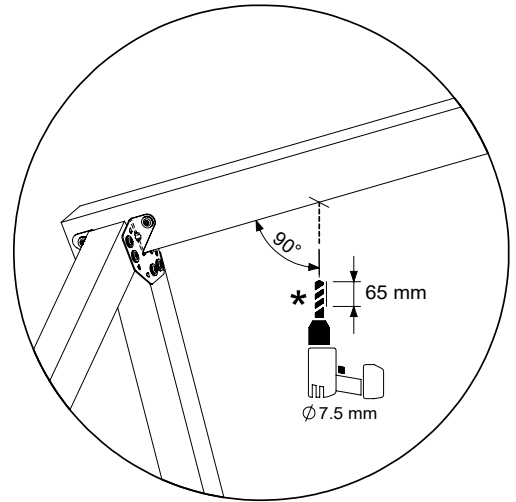
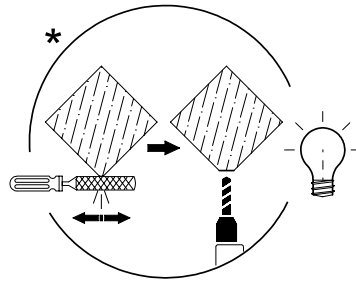
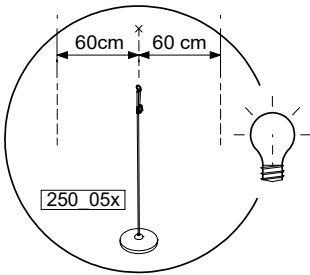
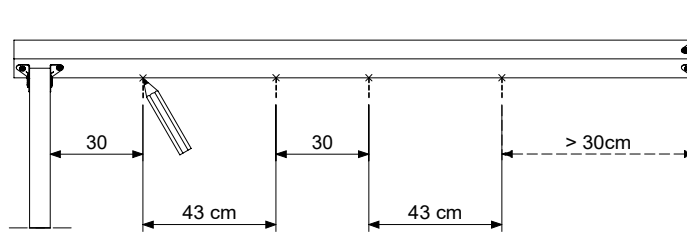
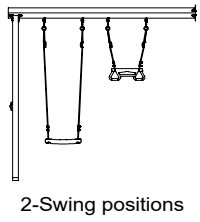
E'/E''



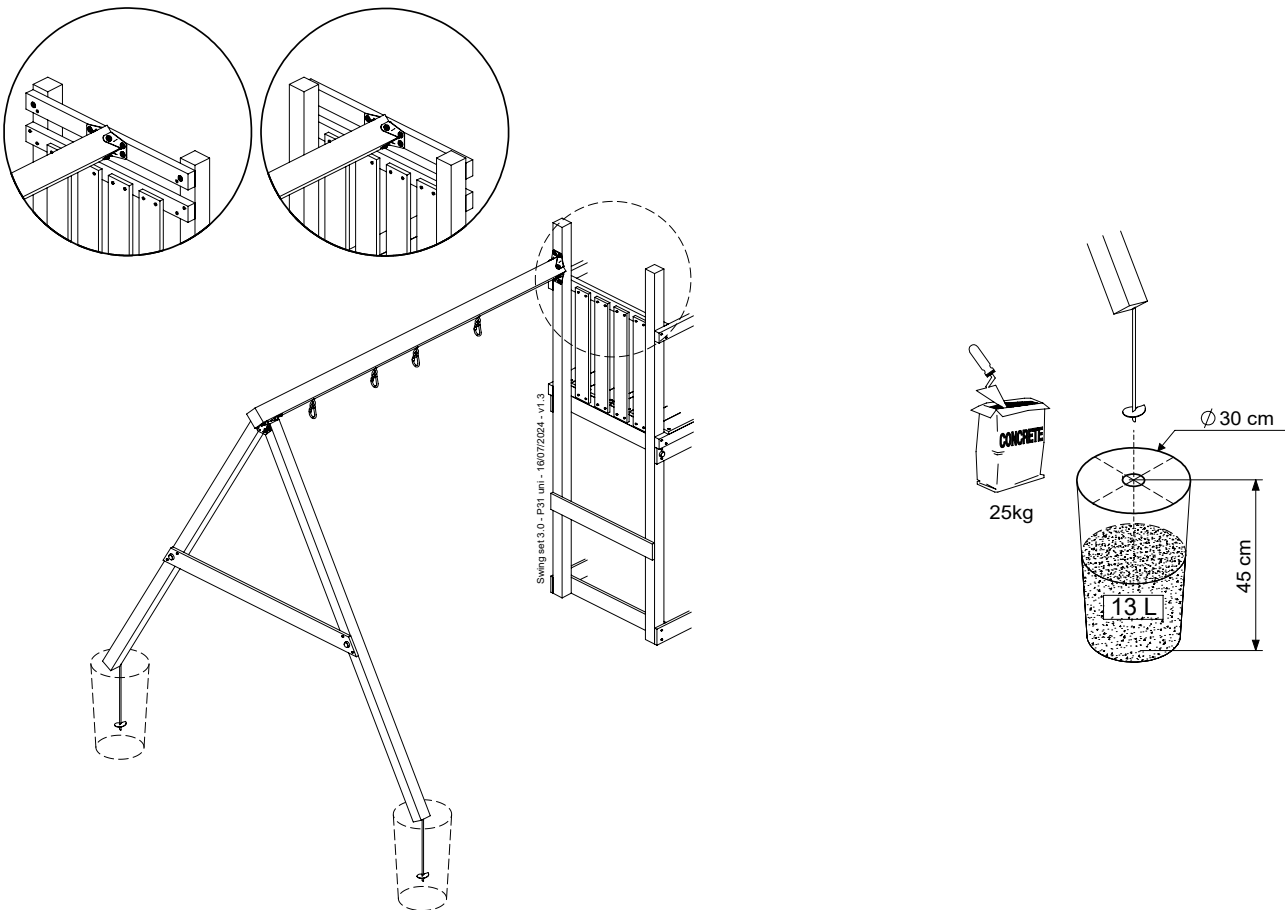
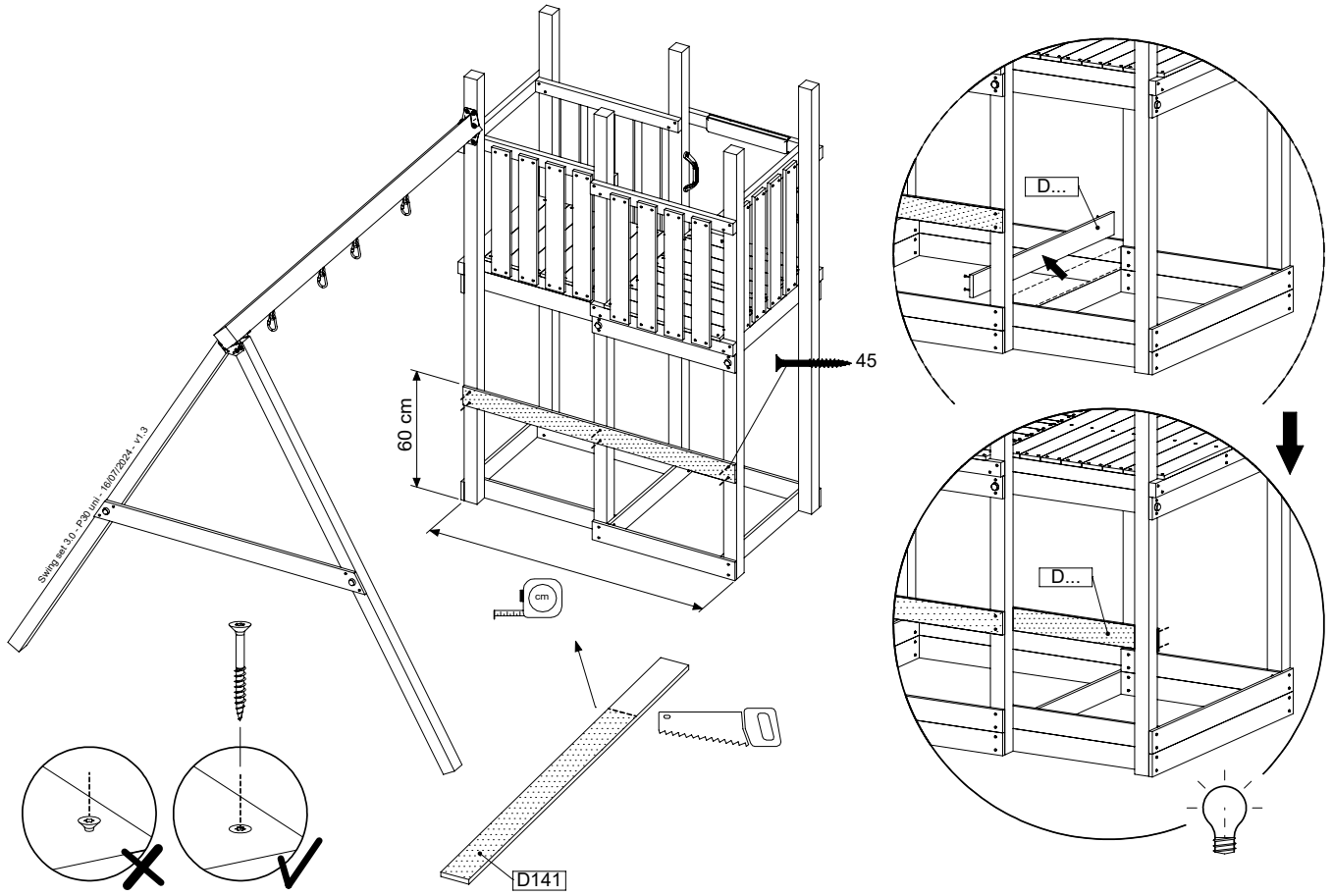
E'

(E'')

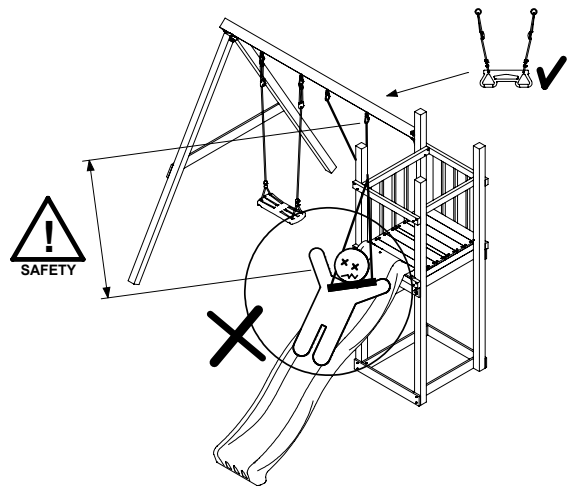
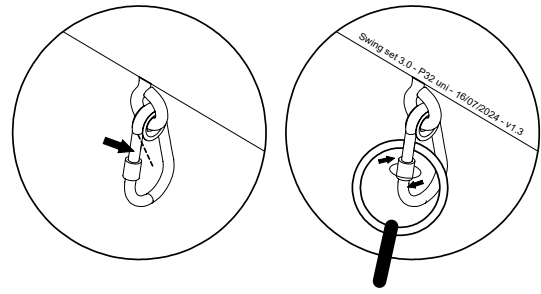
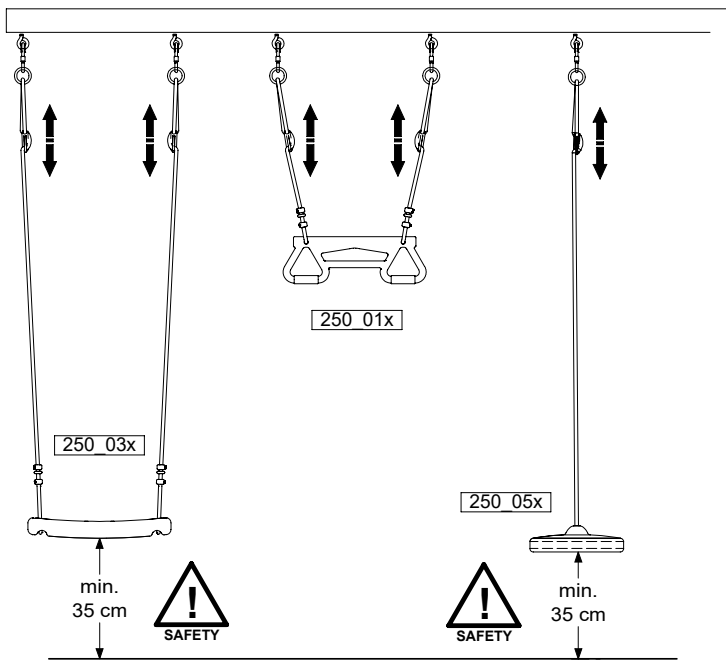
10.5



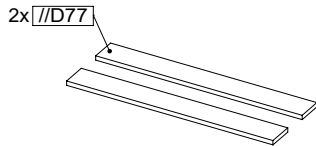
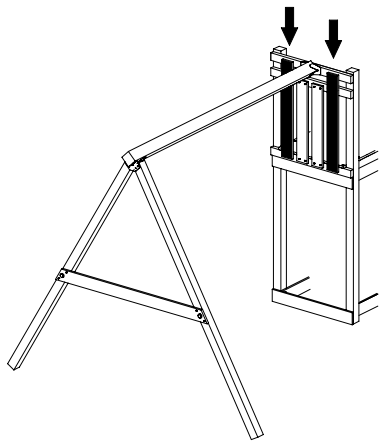
10.6



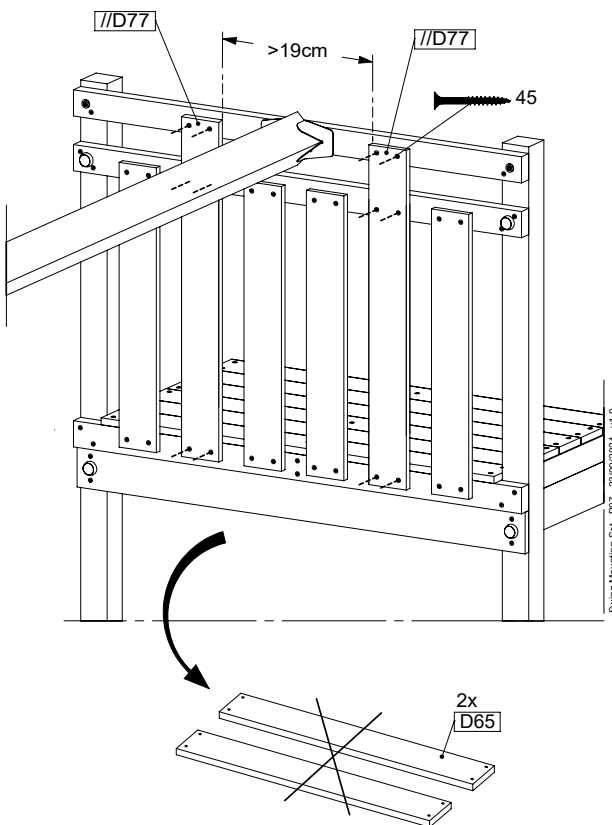
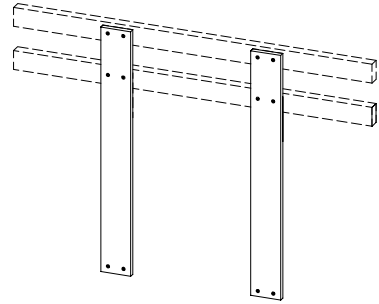
10.7



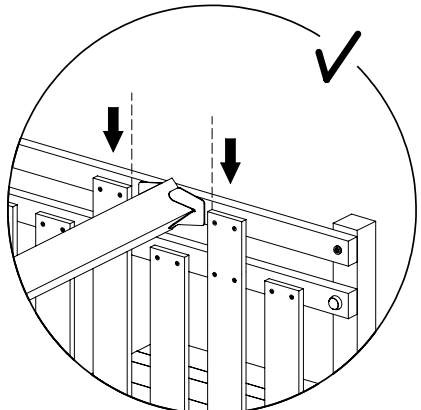
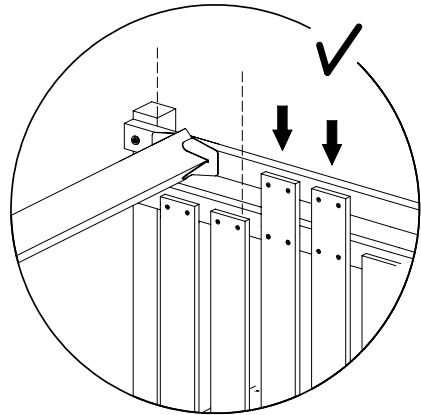
11 UB07a: Swing Mounting Set Uni - PART 2



Swing Mounting Set - P06 - 23/09/2024 - v1.0



Swing Mounting Set - P07 - 23/09/2024 - v1.0

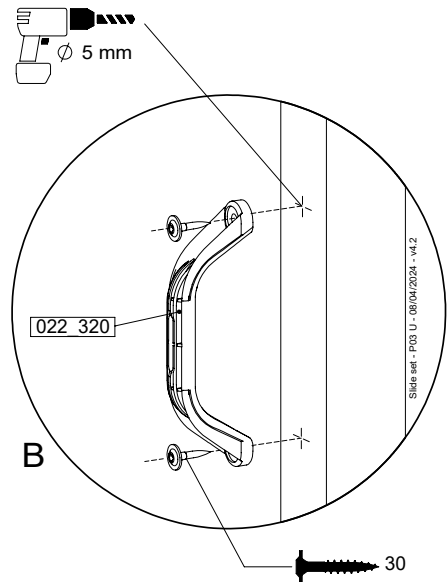
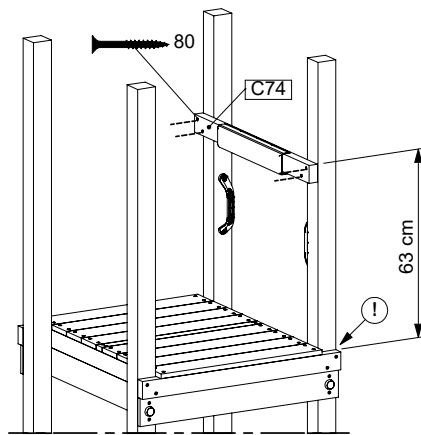
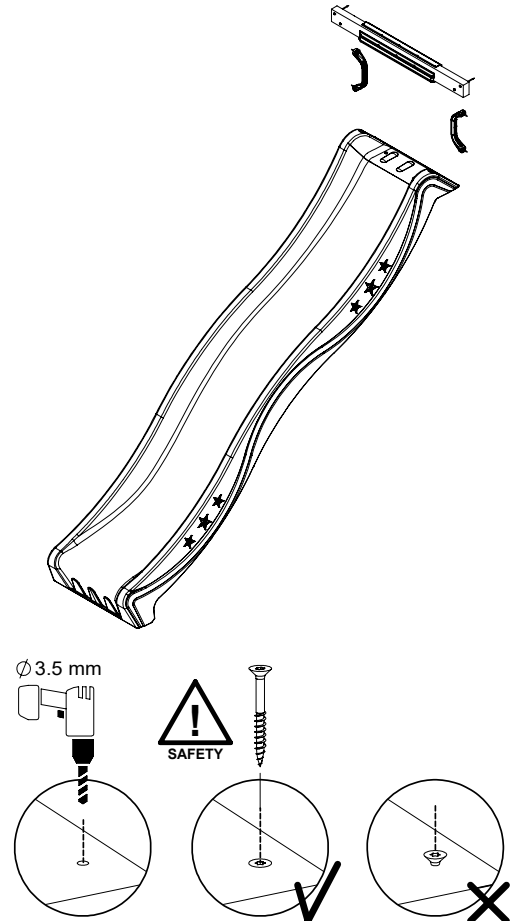


12 SL01a: Slide 80 125 U

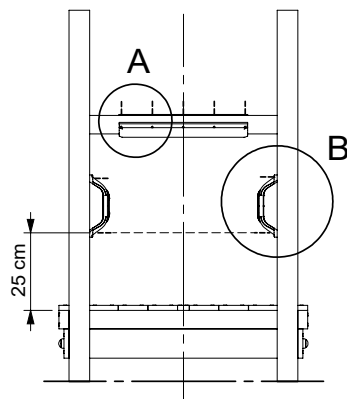
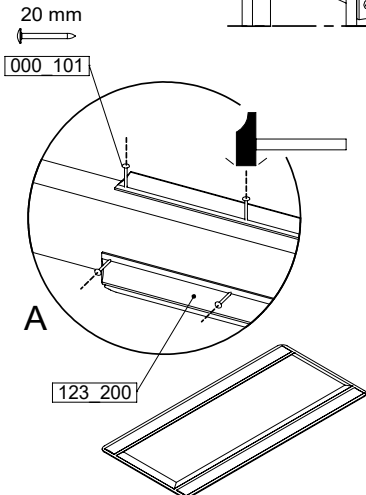
Assembly Pack: 194_107

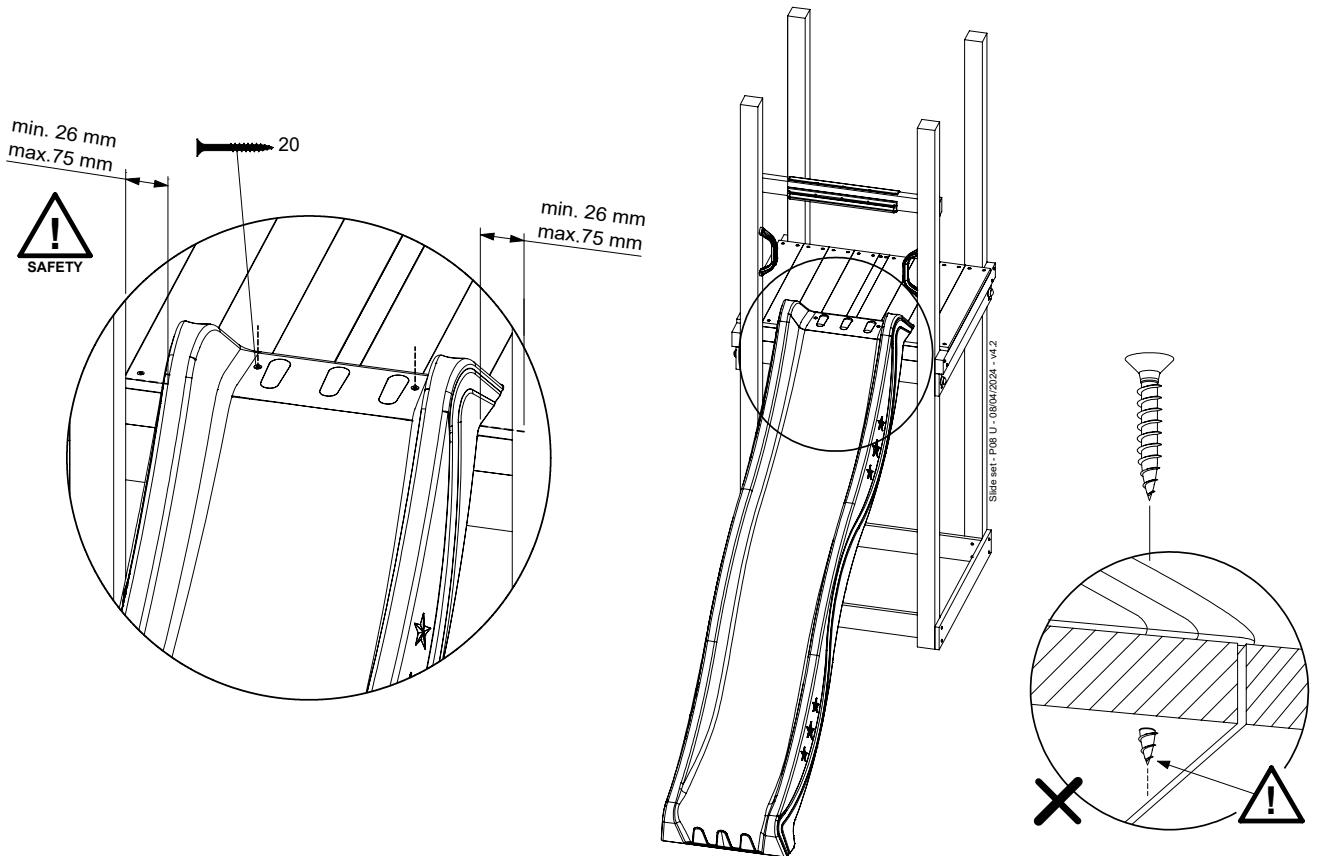
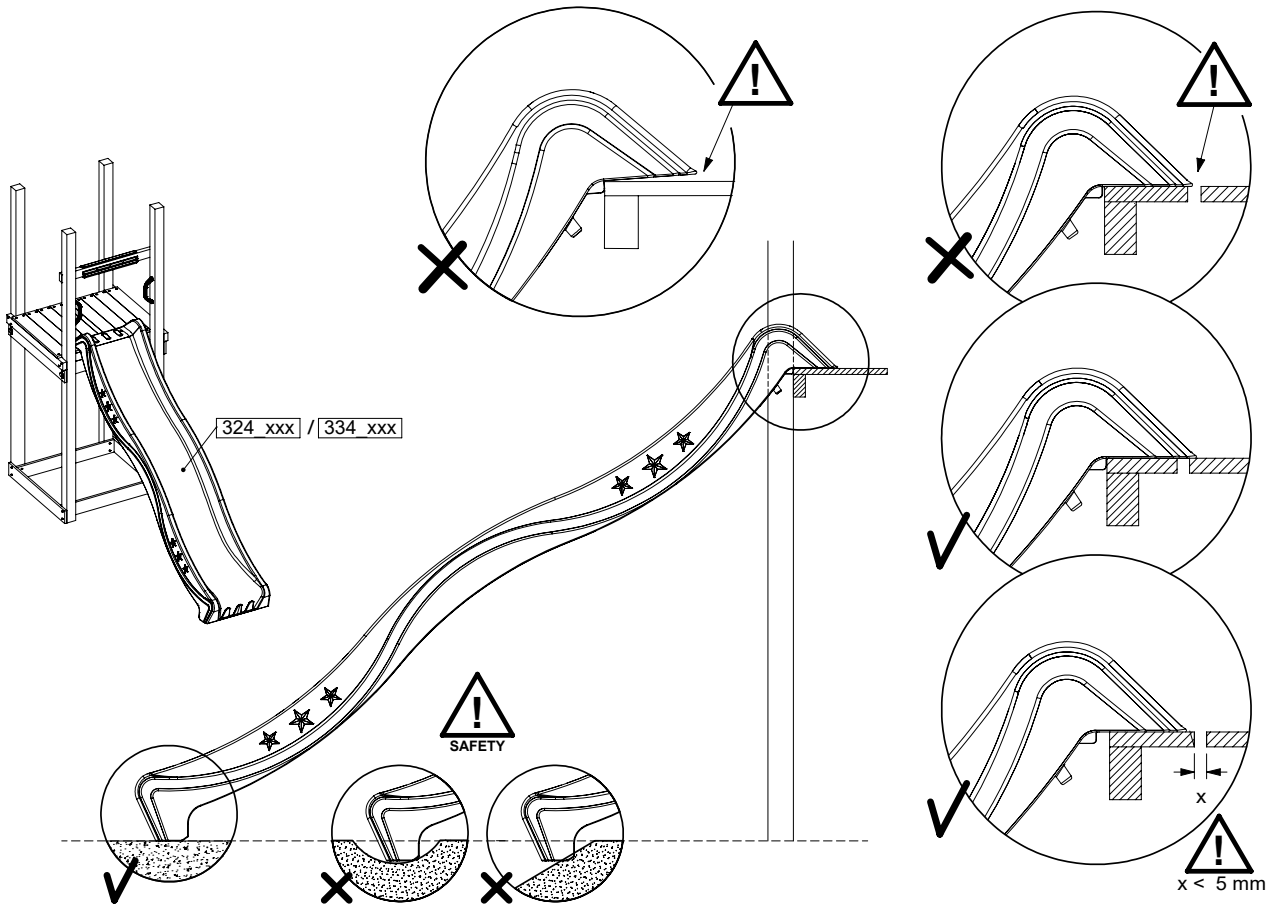
	PartNo	PartName	QTY.
Hardware Pack 100_605	000_101	Nail Pan Head	10
	002_223	Gap Point Screw T25 - 5x80	4
	002_308	Gap Point Screw T25 - 5x20	2
Other	120_102	Handgrip set (2x Complete)	1
	123_200	Bumperpad	1
	324_xxx 334_xxx	Wavy Star Slide XL 2200 mm / Wavy Star Slide XL 2650 mm	1
Timber	C74	Beam 740 mm	1

Slide set - P02 - 08/04/2024 - v4.2

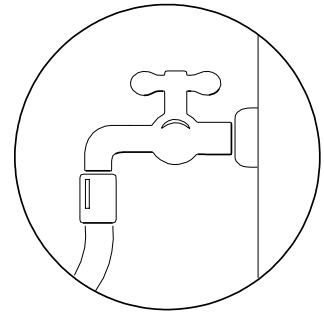
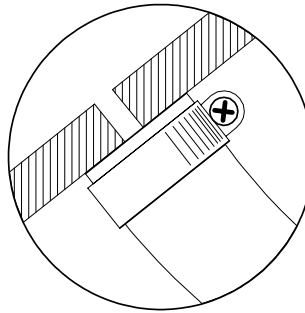
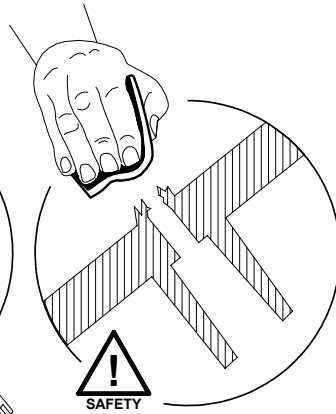
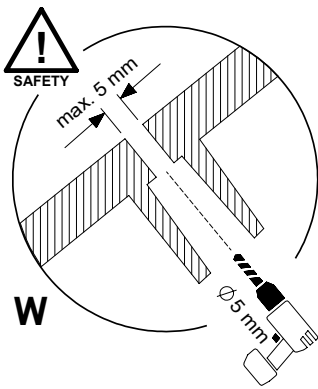
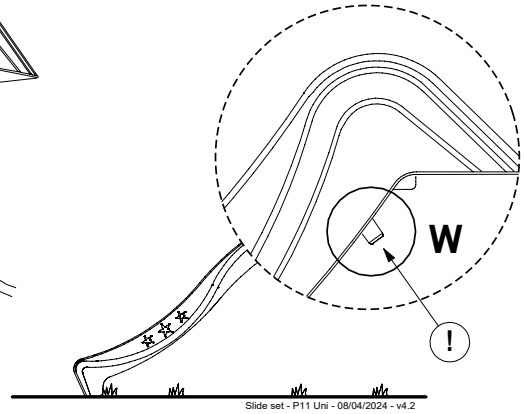
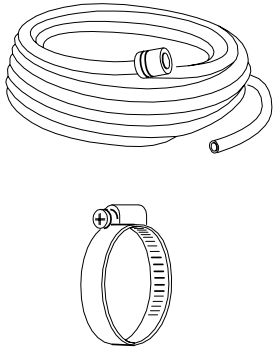


Slide set - P03 U - 08/04/2024 - v4.2

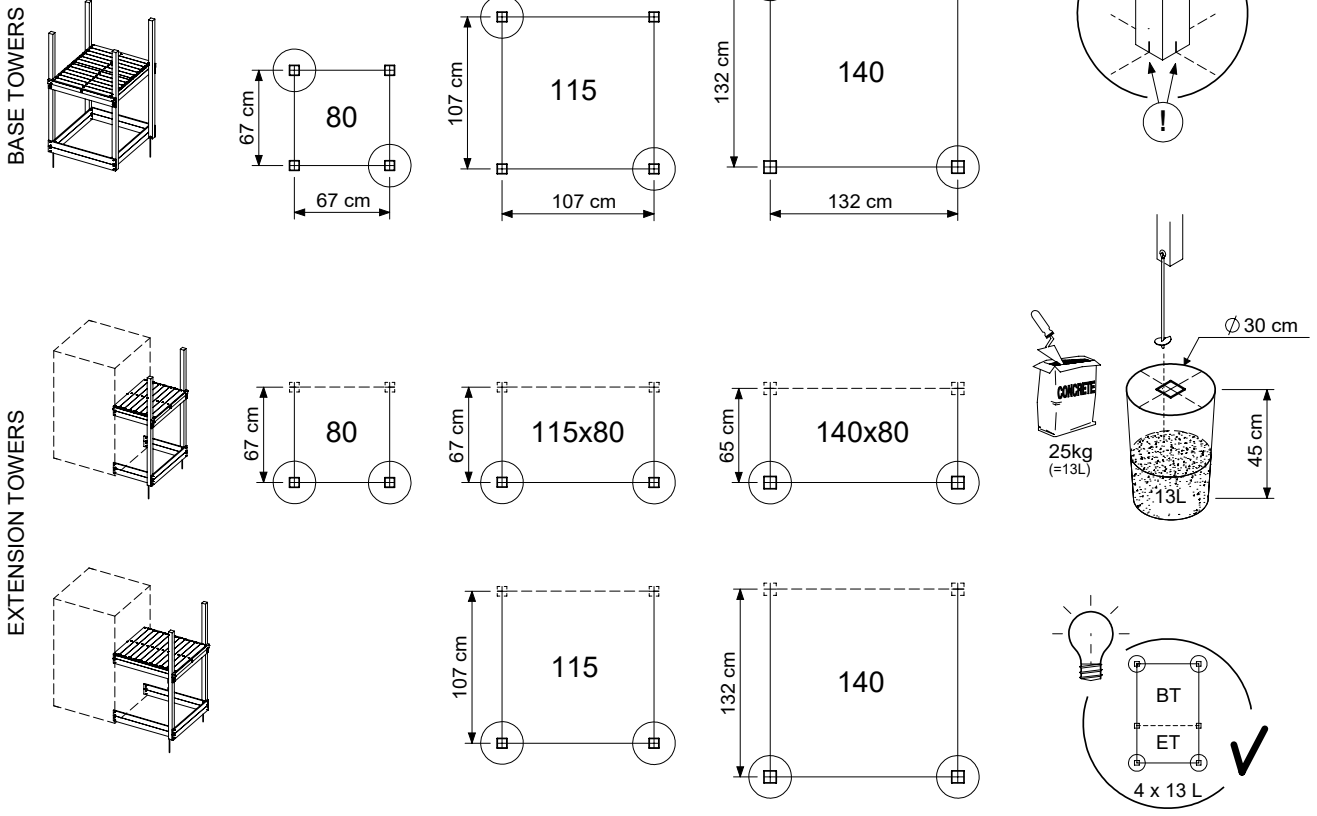




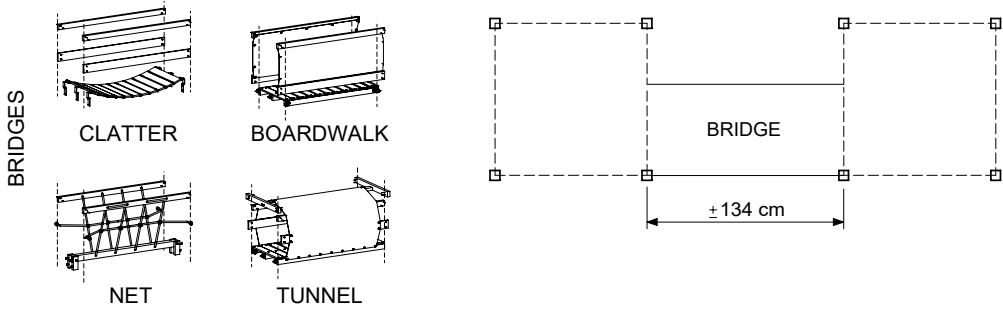
12.2



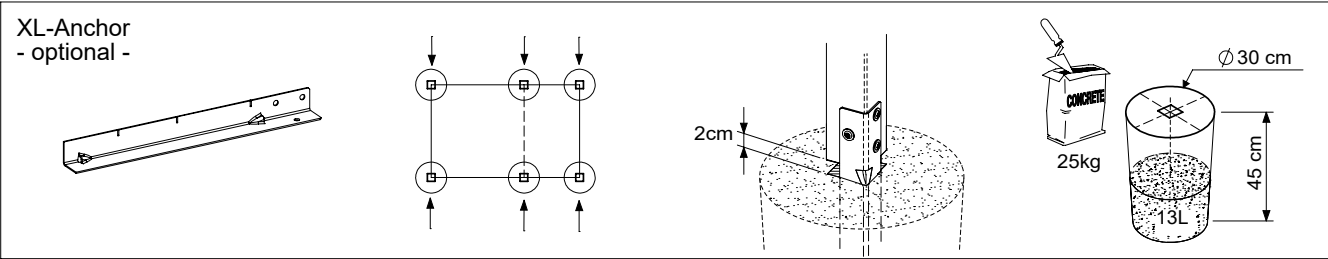
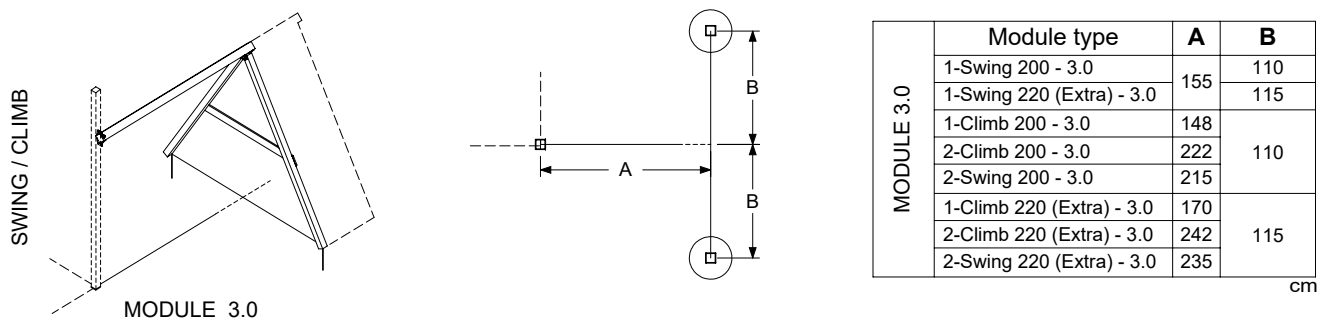
13 GA: Ground Anchors



Ground Anchors Uni. - P03 - 31/01/2025 - V2.0

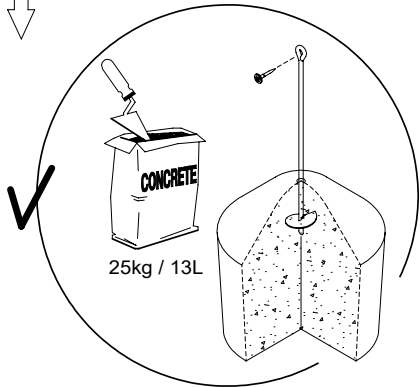
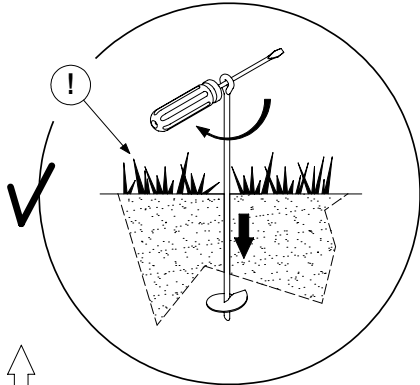
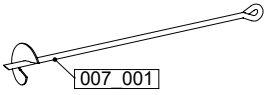


Ground Anchors Uni. - P04 - 31/01/2025 - V2.0

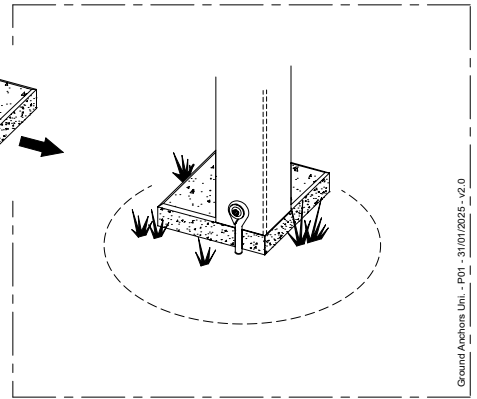
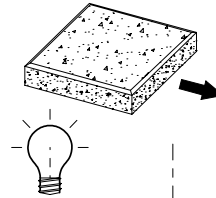
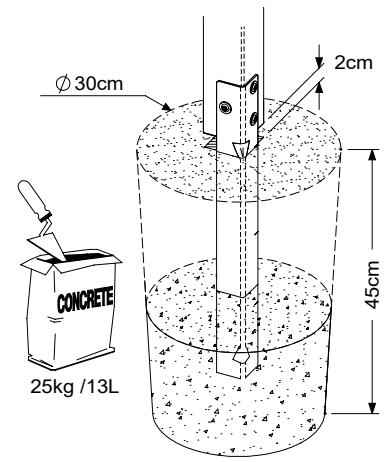
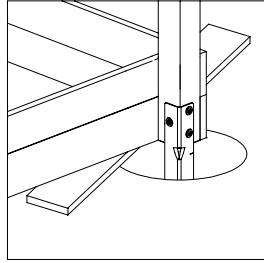
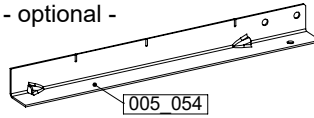


13.1

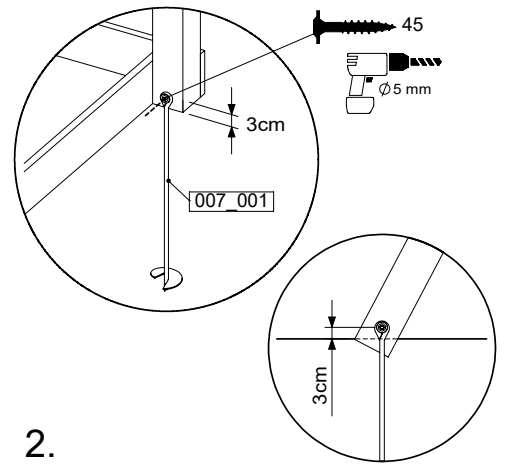
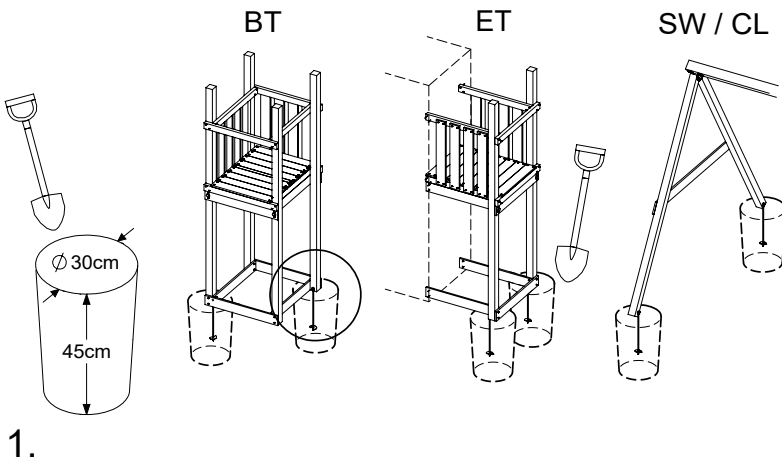
Twist-Anchor



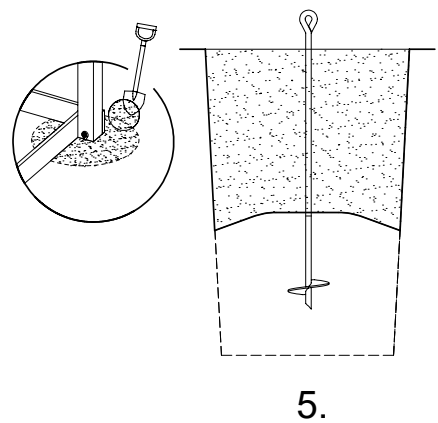
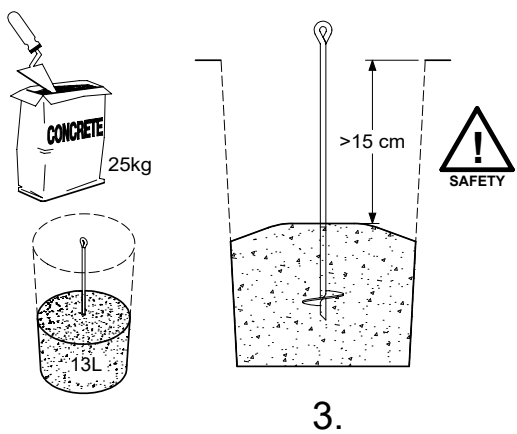
XL-Anchor
- optional -



Ground Anchors Unit - P01 - 31/01/2025 - v2.0



Ground Anchors Unit - P02 - 31/01/2025 - v2.0

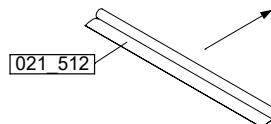
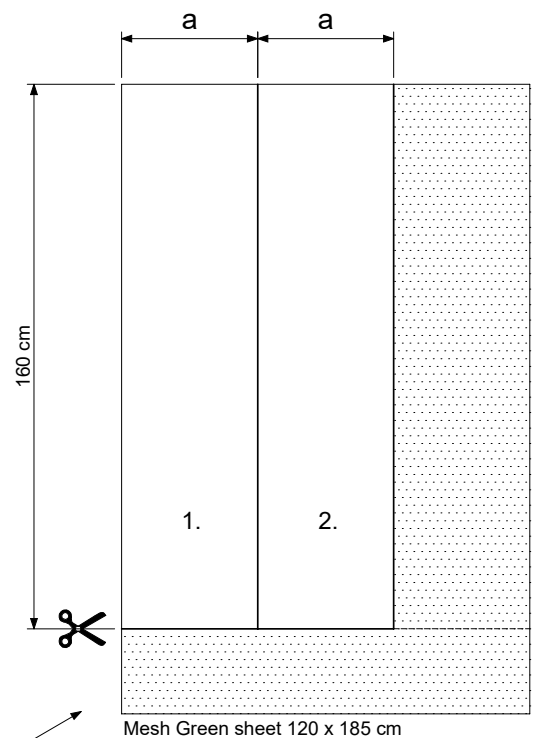
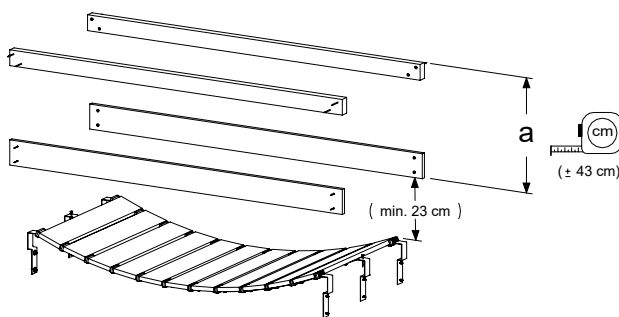
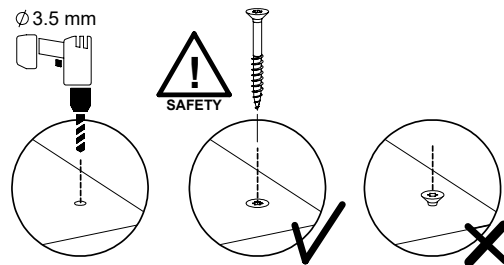
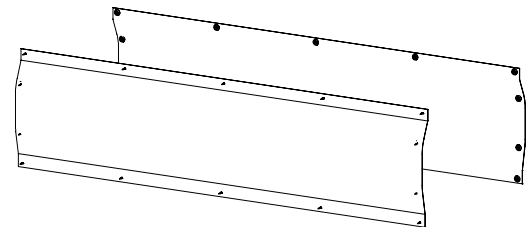
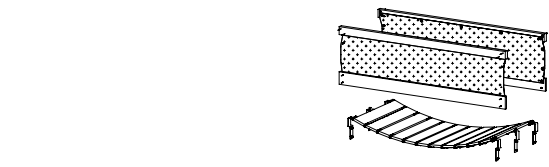


14 AC30a: Bridge Mesh

(123_230)

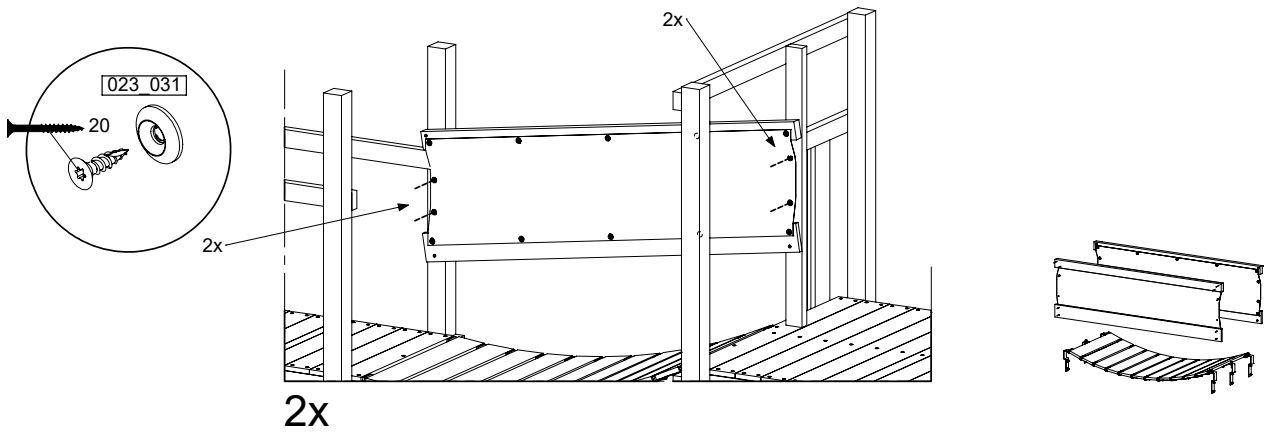
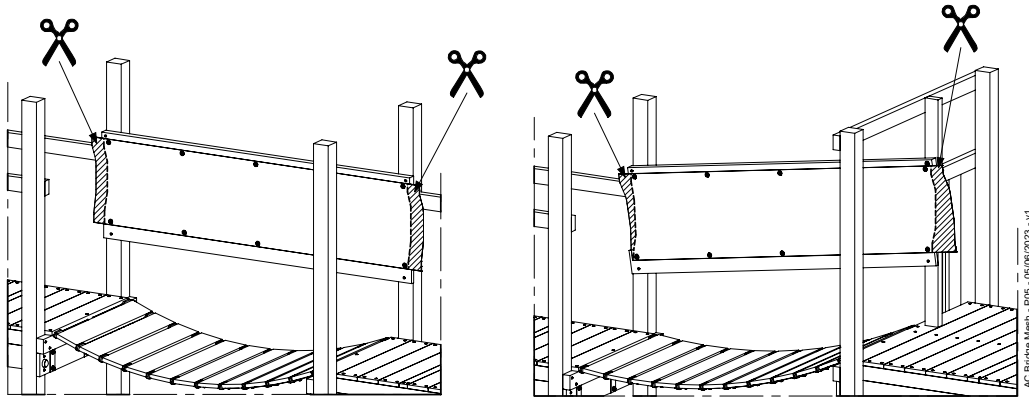
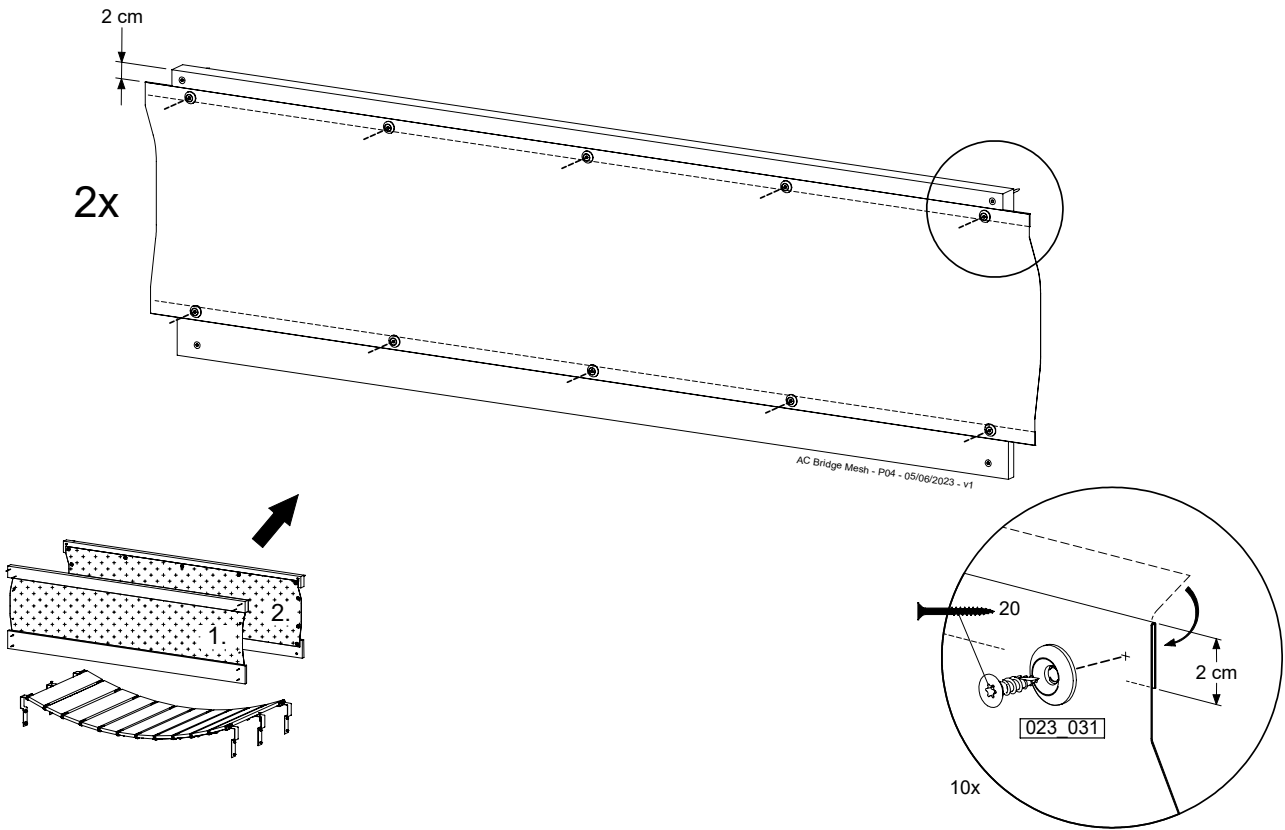
	PartNo	PartName	QTY.
Hardware Packs	002_308	Gap Point Screw T25 - 5x20	28
100_411	023_031	Finishing Washer GPS 5.0	28
Other	021_512	Mesh green 1.20 x 1.85m	1

AC Bridge Mesh - P02 - 05/06/2023 - v1



AC Bridge Mesh - P02 - 05/06/2023 - v1

14.1

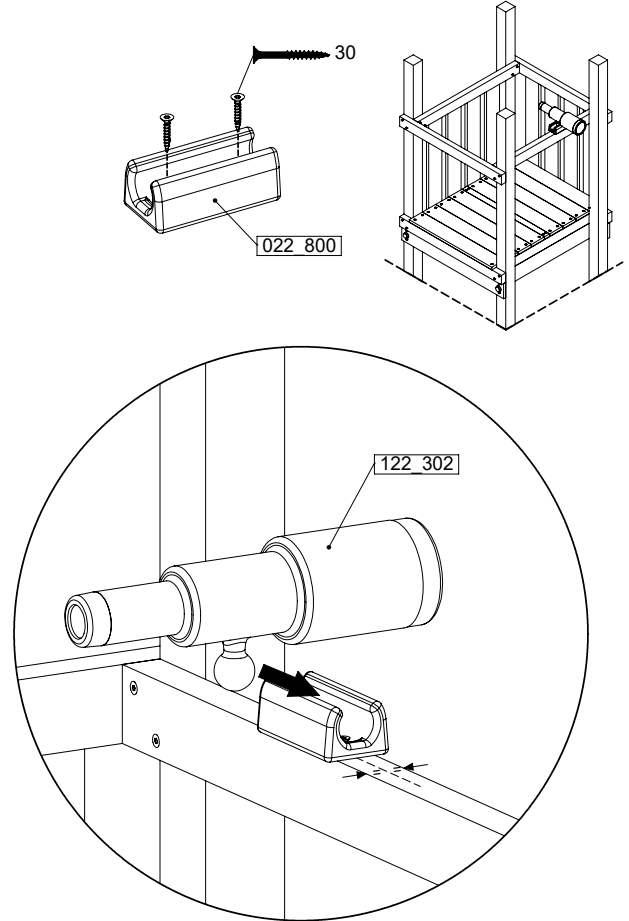
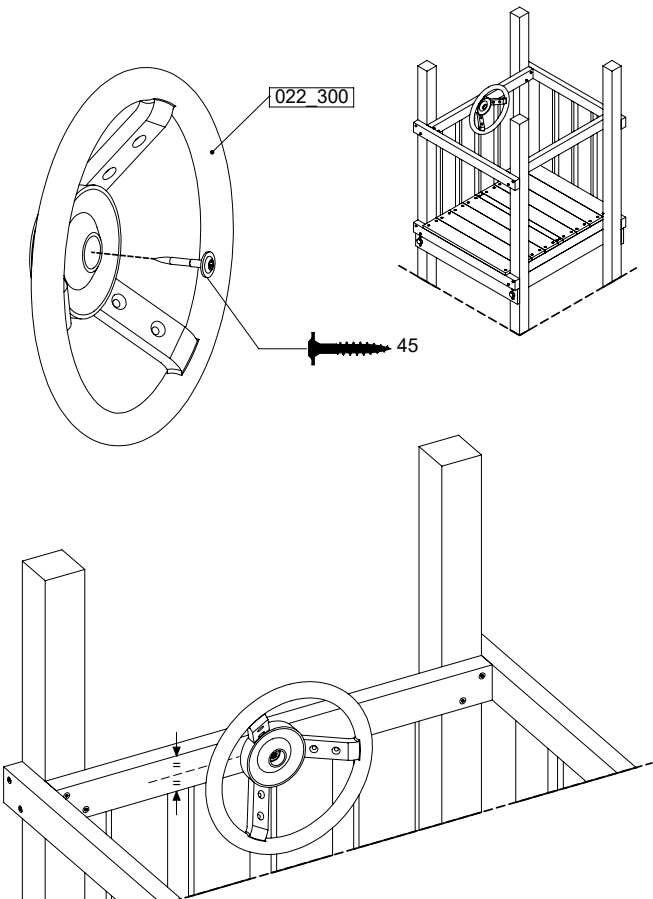
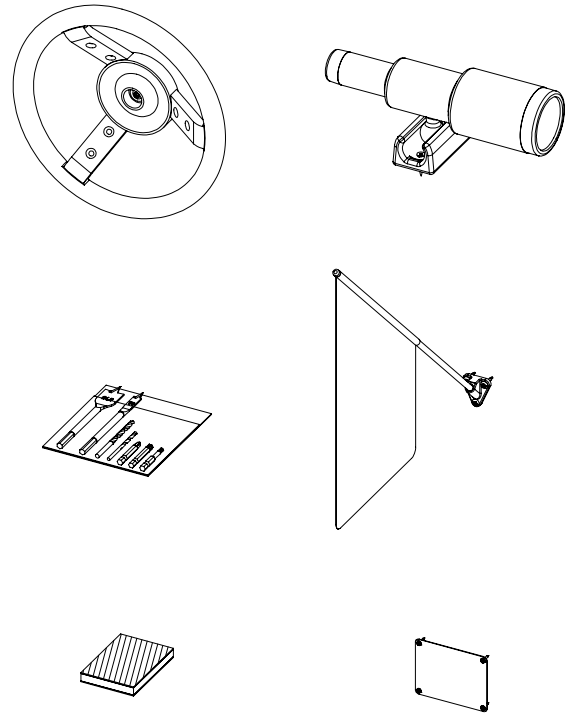


15 AC01a: Accessories

(194_119)

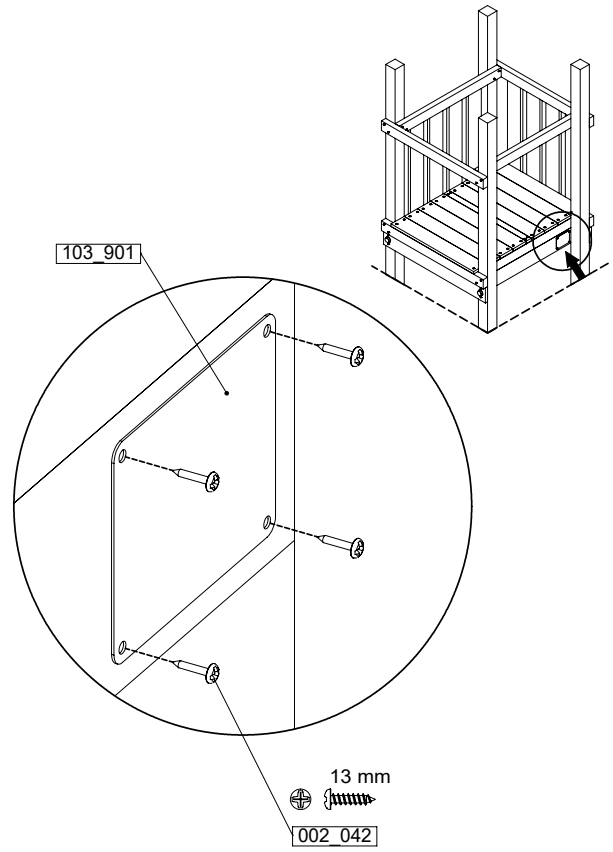
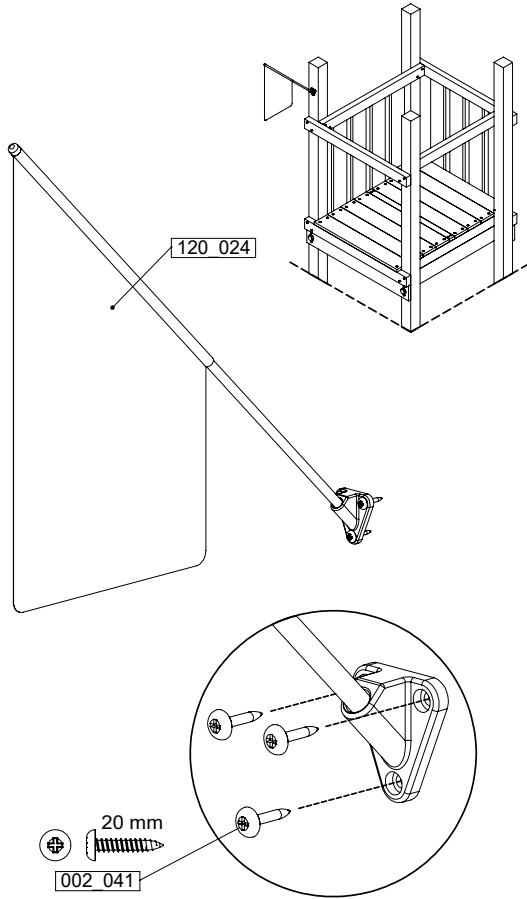
	PartNo	PartName	QTY.
Hardware Pack 100_617	001_406	Stealth Screw 8x45	1
	002_041	Dome head screw 4.5 x 20 mm	3
	002_042	Dome head screw 3.5 x 13mm	4
	002_219	Gap Point Screw T25 - 5x30	2
Other	022_300	Steering Wheel	1
	022_800	Rail P/T 105	1
	022_910	Sandpad	1
	103_901	Logo ID Plate	1
	104_107	Tool Set Climbing Units	1
	120_024	Tower Flag	1
	122_302	Telescope	1

Accessory set - P02 - 24/01/2024 - v5

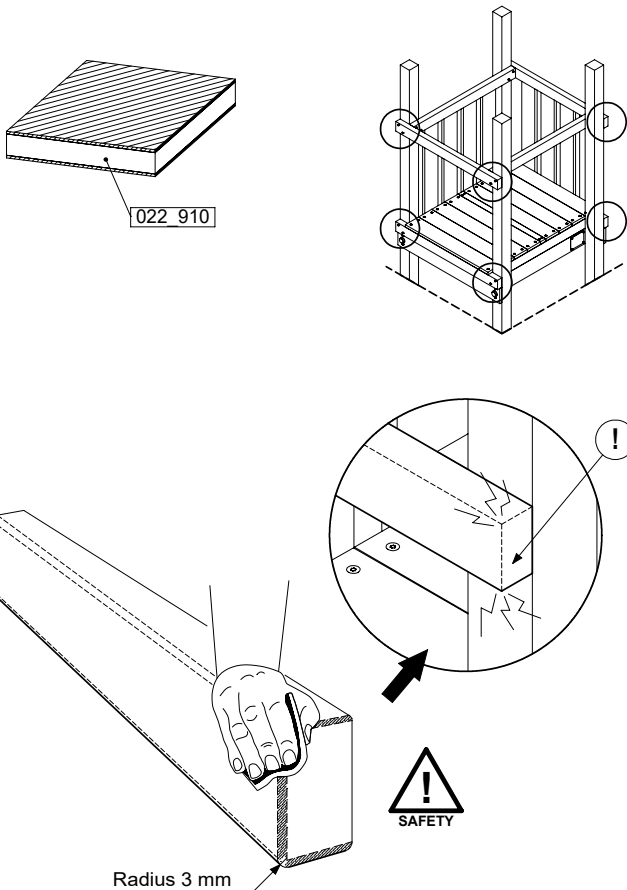


Accessory set - P03 - 24/01/2024 - v5

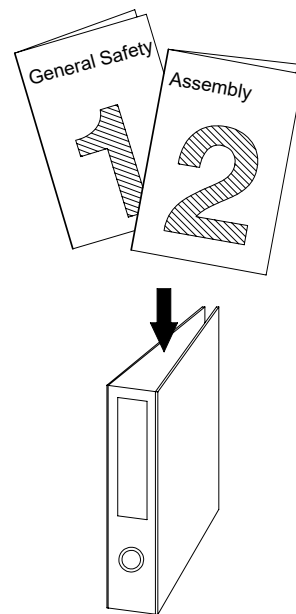
15.1



Accessory set - P04 - 24/01/2024 - 5/5



Accessory set - P05 - 24/01/2024 - 5/5





EU Declaration of Conformity
UK Conformity Assessed
EU-Konformitätserklärung
Déclaration EU de conformité



(in accordance with 768/2008/EC)

Product range: Activity toys for domestic use
Produktfamilie: Aktivitätsspielzeug für den häuslichen Gebrauch
Gamme de produits: Jouets d'activité à usage familial

DoC reference: 20241111_0500

Climbing frames

a. Assemblies for complete climbing frames - Bausätze für komplette Klettergerüste - Assemblages pour structures d'escalade complètes

Playtowers	801_005, 801_009, 801_010, 801_013, 801_025, 801_040, 801_060, 801_070, 801_090, 801_095, 801_100, 801_103, 801_105, 801_110, 801_120, 801_200, 802_202, 802_204, 802_206, 802_208, 803_202, 803_204, 803_206, 803_208, 803_210, 809_802, 809_804
Swings	801_300, 801_601, 801_602
Modules	850_176, 850_177, 850_231, 850_232, 857_101, 857_102, 857_105, 857_106, 857_151, 857_152, 857_157, 857_158, 850_240

b. Assemblies for climbing frames elements - Bausätze für Klettergerüst-Elemente - Assemblages pour éléments de structures d'escalade

Base towers (BT)	BT01a, BT02a, BT03a, BT11a, BT14a, BT15a, BT20a
Extension towers (ET)	ET01a, ET02a, ET05a, ET06a, ET07a, ET08a, ET09a, ET10a, ET11a, ET12a, ET13a, ET14a, ET15a, ET16a, ET17a, ET18a, ET19a, ET20a, ET22a, ET23a, ET27a, ET28a, ET35a, ET29a, ET39a, ET40a
Veranda (VD)	VD01a, VD02a, VD03a, VD04a, VD05a
Bridges (CB, NB, BB, TB)	CB01a, CB01b, NB01a, BB01a, BB02a, TB01a, TB02a, TB03a, TB04a
Roofs (RF)	RF01a, RF21a, RF02a, RF03a, RF04a, RF05a, RF06a, RF20a, RF02b, RF03b, RF28a, RF07a, RF08a, RF22a, RF09a, RF23a, RF11a, RF12a, RF16a, RF07b, RF12b, RF08b, RF22b, RF09b, RF23b, RF11b, RF29a, RF14a, RF24a, RF15a, RF25a, RF18a, RF17a, RF18b, RF14b, RF24b, RF15b, RF25b
Balustrade (BL, BF)	BL01a, BL02a, BL11a, BL12a, BL21a, BF25a, BF26a, BF27a, BF28a, BL03a, BL04a, BL13a, BL14a, BF01a, BF02a, BF03a, BF04a, BF05a, BF06a, BF07a, BF08a, BF01b, BF02b, BF03b, BF04b, BF05b, BF06b, BF07b, BF08b, BL05a, BL06a, BL07a, BL08a, BL09a, BL10a, BL15a, BL16a, BF21a, BF22a, BF23a, BF24a, BF21b, BF22b, BF23b, BF24b
Playhouse (PH)	PH03a, PH04a, PH05a, PH06a, PH10a, PH11a, PH40a, PH41a, PH12a, PH13a, PH14a, PH15a, PH42a, PH43a, PH44a, PH45a, PH16a, PH17a, PH18a, PH19a, PH30a, PH31a, PH16b, PH17b, PH18b, PH19b, PH46a, PH47a, PH48a, PH49a, PH16c, PH17c, PH18c, PH19c, PH46b, PH47b, PH48b, PH49b, PH20a, PH21a, PH22a, PH23a, PH24a, PH25a, PH26a, PH27a, PH32a, PH33a, PH52a, PH53a, PH54a, PH55a, PH56a, PH57a, PH50a, PH51a, PH26b, PH27b, PH26c, PH27c, PH56b, PH57b
Ladder (LA)	LA05a, LA06a, LA01a, LA02a, LA09a, LA03a, LA04a, LA01b, LA02b, LA09b, LA03b, LA04b, LA11a, LA12a, LA13a, LA14a, LA15a, LA16a, LA17a, LA18a, LA31a, LA32a, LA33a, LA34a, LA35a, LA36a, LA37a, LA38a, LA11b, LA12b, LA13b, LA14b, LA15b, LA16b, LA17b, LA18b, LA19a, LA20a, LA21a, LA22a, LA23a, LA24a, LA25a, LA26a, LA43a, LA44a, LA45a, LA46a, LA23b, LA24b, LA25b, LA26b
Two Step Ladder (TS)	TS01a, TS01b, TS02a, TS02b, TS03b, TS22a, TS05a, TS06a, TS07a, TS08a, TS09a, TS10a, TS11a, TS12a, TS15a, TS16a, TS17a, TS18a, TS19a, TS20a, TS21a, TS22a
Rope Ladder (RL)	RL01a, RL02a, RL05a, RL06a, RL07a, RL08a, RL09a, RL10a, RL11a, RL12a, RL15a, RL16a, RL19a, RL20a
Rock wall (RW)	RW01a, RW02a, RW01b, RW02b, RW03b, RW31a, RW32a, RW33a, RW05a, RW06a, RW07a, RW08a, RW09a, RW10a, RW11a, RW12a, RW40a, RW41a, RW15a, RW16a, RW17a, RW18a, RW19a, RW20a, RW46a, RW47a
Ramp (RA)	RA01b, RA02b, RA03a, RA04a, RA21a, RA05a, RA06a, RA07a, RA08a, RA05b, RA06b, RA07b, RA08b, RA11a, RA12a, RA09b, RA10b, RA11b, RA12b
Net (NA, NS)	NA01a, NA02a, NS01a, NS02a, NS03a, NS21a, NA04a, NA05a, NS04a, NS05a, NS06a, NS07a, NA08a, NA09a, NS08a, NS09a
Boat (BO)	BO01a
Market (MT) & Target Canvas (TC)	MT01a, MT02a, TC01a, TC02a, MT01b, MT02b, TC01b, TC02b, MT05a, MT06a, MT11a, MT12a
Picnic (PC)	PC01a, PC01b, PC05a, PC06a, PC09a, PC10a
Gymnastics bar (GY)	GY01a
Fireman's pole (FP)	FP01a, FP02a, FP04a, FP05a, FP06a, FP07a, FP23a, FP24a, FP25a, FP26a, FP27a, FP28a
Slides (SL)	SL01a, SL02a, SL03a, SL06a, SL07a, SL08a, SL09a, SL10a, SL11a, SL12a, SL13a, SL26a, SL27a, SL28a, SL29a
Swing (SM)	SW17a, SW21a, SW18a, SW22a, SW19a, SW23a, SW01a, SW05a, SW02a, SW06a, SW03a, SW07a, SW09a, SW13a, SW10a, SW14a, SW11a, SW15a
Climb (CL)	CL17a, CL21a, CL18a, CL22a, CL19a, CL23a, CL01a, CL05a, CL02a, CL06a, CL03a, CL07a, CL09a, CL13a, CL10a, CL14a, CL11a, CL15a
Universal Beam (UB)	UB01a, UB04a, UB02a, UB05a, UB03a, UB06a, UB07a, UB08a
Accessories (AC)	AC40a, AC30a, AC31a, AC32a, AC33a, AC01a, AC05a, AC07a, AC03a, AC04a, AC06a, AC23a, AC22a, AC24a, AC21a, AC25a, AC02a, AC09a, AC08a, AC10a

Construction packages

a. Assembly kits for complete climbing frames - Bausätze für komplette Klettergerüste - Kits de construction pour structures d'escalade complètes

Playtowers	401_015, 401_080, 401_125, 402_201, 402_202, 402_204, 402_206, 402_208, 403_202, 403_204, 403_206, 403_208, 403_210, 409_802, 409_804
Swings	401_300, 401_600
Modules	457_005, 457_102, 457_103, 457_106, 457_107, 457_205

b. Assembly packs for climbing frames elements - Baupakete für Klettergerüst-Elemente - Packs de construction pour éléments de structures d'escalade

Sub assemblies	194_002, 194_003, 194_004, 194_006, 194_007, 194_008, 194_009, 194_010, 194_011, 194_100, 194_101, 194_102, 194_103, 194_104, 194_105, 194_107, 194_108, 194_109, 194_110, 194_111, 194_112, 194_113, 194_114, 194_115, 194_116, 194_117, 194_118, 194_119, 194_300, 194_308, 194_312, 194_500, 194_501, 194_508, 194_510, 194_802, 194_804, 194_809, 194_810, 194_811, 194_812
----------------	---

Accessories and components - Zubehör und Komponenten - Accessoires et composants

Slides XL	324_100, 324_200, 324_300, 324_400, 324_500, 324_600
Slides XXL	334_100, 334_200, 334_300, 334_400, 334_500, 334_600
Fireman's pole	201_275
Climbing	201_060, 201_273
Imagination	201_280, 201_285, 201_290, 201_295, 202_473, 450_310, 450_320, 450_330
Swinging	250_001, 250_013, 250_025, 250_034, 250_053
Functional	123_220, 123_222, 123_230, 201_115, 201_220, 201_250, 201_260, 201_270, 202_620, 202_621, 202_622, 202_623, 202_624, 202_625, 202_626, 202_627, 202_628, 202_629, 202_824, 250_065, 250_070, 250_075

Applicable EU and UK directives, regulations and standards

General directives

- EU Product Safety Regulation (GPSR 2023/988/EC)
- UK General Product Safety Regulations (GPSRs SI 2005/1803)
- EU Reach Directive 1907/2006
- AfPS GS 2019:01 PAK

Toy directives

- EU Toys Safety Directive (TSD 2009/48/EC)
- UK Toys Safety Regulations 2011 (TSR SI 2011/1881)

Harmonised European and UK toy standard

- Safety of toys (EN 71)
 - Part 1: Mechanical and physical properties (prEN 71-1:2024)
 - Part 2: Flammability (EN 71-2:2020/prA1:2023)
 - Part 3: Migration of certain elements (EN 71-3:2019+A1:2021)
 - Part 8: Activity toys for domestic use (prEN 71-8:2024)

Additional audits

Test reports / Certificate:

TüV Rheinland Product Safety GmbH
Am Grauen Stein, 51105 Köln, Germany
Zertifikat: R 60010766, R 60024578
Prüfbericht: 21115718_003/004/005, 21140630_001/002

Prüfbericht / Zertifikat:

Rapport d'essai / certificate:

Dekra Automobil GmbH
Handwerkstraße 15, 70565 Stuttgart, Germany
Prüfbericht: 340331500_55245585/13-2

Laboratoire National de métrologie et d'essais (LNE)
29 Avenue Roger Hennequin, 78197 Trappes Cedex, France
Revue documentaire: K080196

Design

Product image:

Produktbild:

Image du produit:

Design code:

D y q F 4 T

Production date:

25-02-2025



Declaration

This declaration of conformity is issued solely under the responsibility of the manufacturer, who asserts that the aforementioned products comply with the applicable directives and harmonized standards, provided that installation, assembly, and maintenance are performed in accordance with the instructions supplied.

Diese Konformitätserklärung wird ausschließlich unter der Verantwortung des Herstellers ausgestellt, der erklärt, dass die genannten Produkte den geltenden Richtlinien und harmonisierten Standards entsprechen, vorausgesetzt, dass Installation, Montage und Wartung gemäß den bereitgestellten Anweisungen durchgeführt werden.

Cette déclaration de conformité est émise uniquement sous la responsabilité du fabricant, qui affirme que les produits mentionnés ci-dessus sont conformes aux directives applicables et aux normes harmonisées, à condition que l'installation, le montage et l'entretien soient réalisés conformément aux instructions fournies.

Manufacturer details


Jungle Gym B.V.
P.O. Box 75083
1070 AB Amsterdam
Netherlands
www.junglegym.com
info@junglegym.com
+31 85 44 44 100

Jungle Gym
BACKYARD PLAYGROUNDS

since 1988

Amsterdam, December 1st, 2024

On behalf of the manufacturer
Jungle Gym B.V.


Paul Schmit
CEO