



www.weka-holzbau.com



Gartenhaus



225.2130.10001 / 80001
225.2430.10001 / 80001
225.3030.10001 / 80001

Montage-, Bedienungs- und Wartungsanleitung



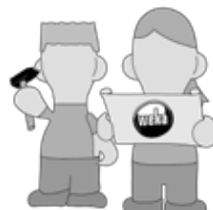
800.0286.17.67



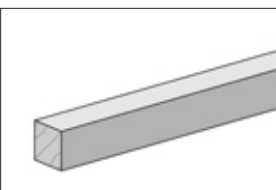

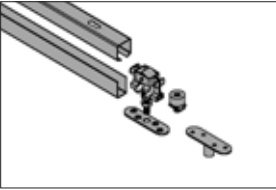
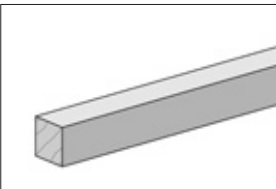
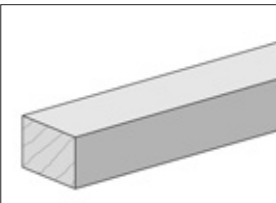
+

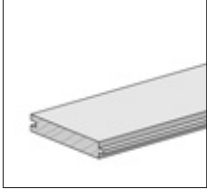
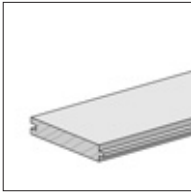
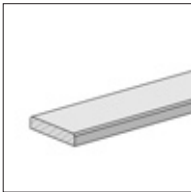
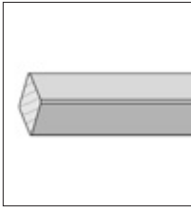
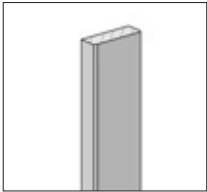
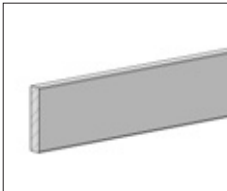
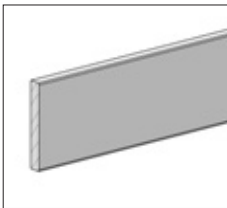


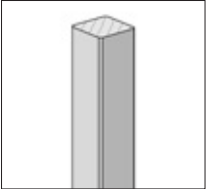
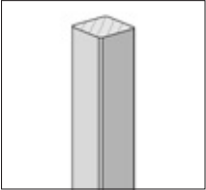
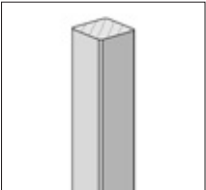
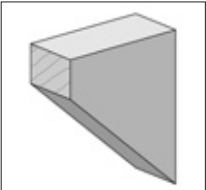
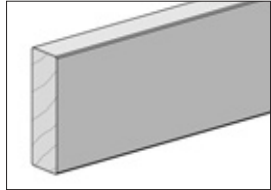



800.0286.20.02







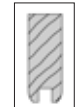
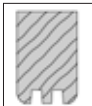
=














Pos	Bild	Abmessung (mm)	Anzahl (Stück)						
			225.2130.10001	225.2130.80001	225.2430.10001	225.2430.80001	225.3030.10001	225.3030.80001	
-	-	-	-	-	-	-	-	-	-
2	R002.0650.2050 R002.0650.2350 R002.0650.2950 	40/60/2050 40/60/2350 40/60/2950	2 - -	2 - -	- 2 -	- 2 -	- - 2	- - 2	- - 2
2.1	R002.0650.2872 R002.0650.2896 	40/60/2872 40/60/2896	2 -	- 2	2 -	- 2	- 2	- 2	- 2
3	R002.0660.1928 R002.0660.1928 R002.0660.2230 R002.0660.2830 	40/40/1928 40/40/2230 40/40/2830	5 - -	5 - -	- 5 -	- 5 -	- - 5	- - 5	- - 5
4	B100.15.0004 	38/750/1800	2	2	2	2	2	2	2
5	K135.1001.1000 	0/0/1420	1	1	1	1	1	1	1
6	R002.0660.2950 	40/40/2950	1	1	1	1	1	1	1
7	G651.01.0028 	40/60/2860	1	1	1	1	1	1	1

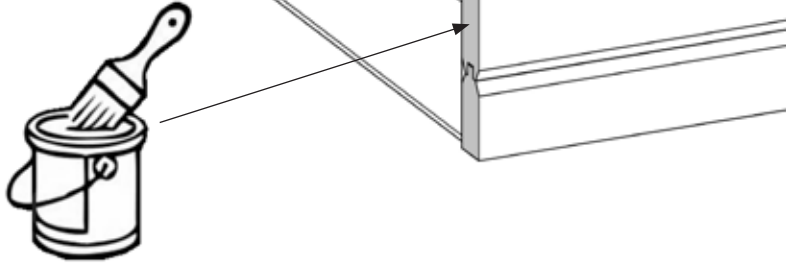
Pos	Bild	Abmessung (mm)	Anzahl (Stück)					
			225.2130.10001	225.2130.80001	225.2430.10001	225.2430.80001	225.3030.10001	225.3030.80001
8	R002.0091.3344 	15,5/96/3344	26	26	29	29	36	36
9	R002.0091.2950 	15,5/96/2950	23	23	26	26	33	33
10	R002.0400.2300 	11/58/2300	13	7	14	8	14	8
11	G100.01.0063 G100.01.0064 	21/28/1510 38/28/1510	1 -	- 1	1 -	- 1	1 -	- 1
12	R002.0530.2300 R002.0530.1825 	15/45/2300 15/45/1825	7 4	7 2	7 5	7 3	8 5	8 3
13	R002.0425.1810 	18,5/70/1810 18,5/70/2153	3 -	3 -	3 -	3 8	3 -	3 8
14	R002.0560.3400 	18,5/146/3400 18,5/146/2840	3 -	3 -	3 1	3 1	4 -	4 -

Pos	Bild	Abmessung (mm)	Anzahl (Stück)					
			225.2130.10001	225.2130.80001	225.2430.10001	225.2430.80001	225.3030.10001	225.3030.80001
15	R002.0196.2462 	34/34/2462	3	-	3	-	3	-
16	R002.0196.2100 	34/34/2100	2	-	2	-	2	-
17	R002.0225.2290 	40/40/2290	-	6	-	6	-	6
18	G330.06.0007 	45/100/120	10	10	10	10	10	10
19	R002.0350.1974 R002.0350.2008 R002.0350.2308 R002.0350.2908 	45/146/1974 45/146/2008 45/146/2274 45/146/2308 45/146/2874 45/146/2908	- 3 - - - -	3 - - - - -	- - - 3 - -	- - 3 - - -	- - - - - 3	- - - - 3 -
20	R002.0015.0720  R002.0040.0720 	21/121/720 38/121/720	32 -	- 32	32 -	- 32	32 -	- 32
21	G227.01.0406 G132.01.0019 	21/121/2950 38/121/2950	2 -	- 2	2 -	- 2	2 -	- 2

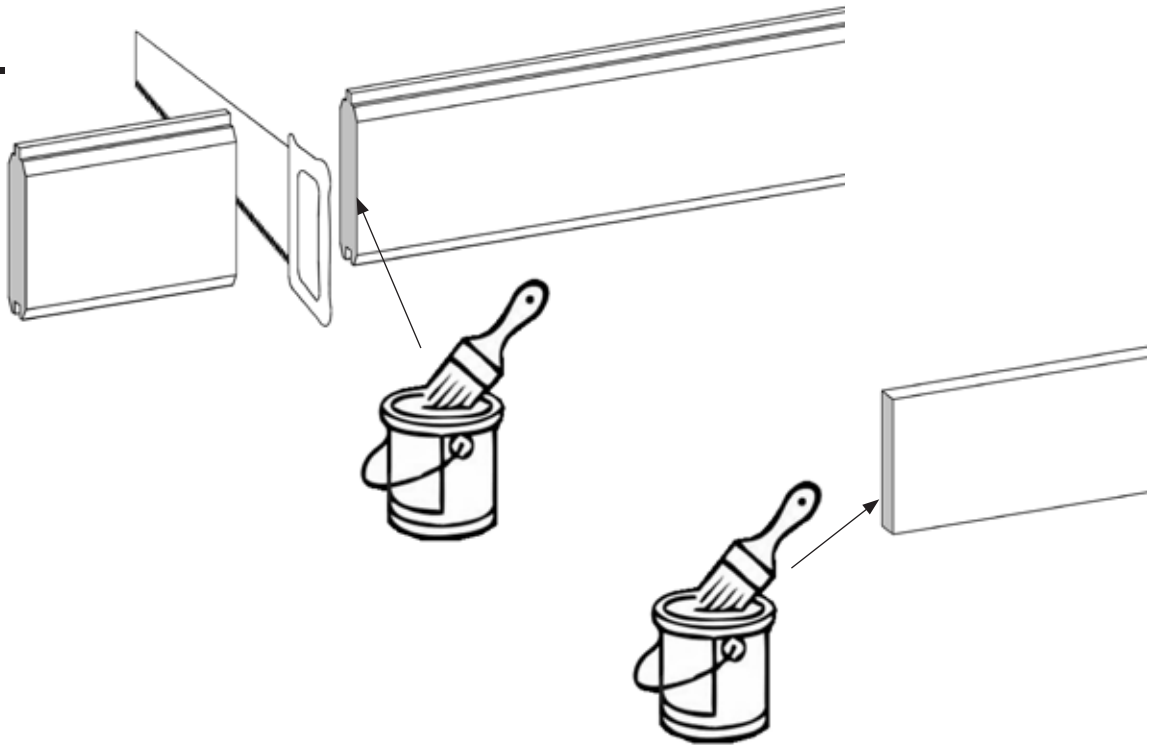
Pos	Bild	Abmessung (mm)	Anzahl (Stück)					
			225.2130.10001	225.2130.80001	225.2430.10001	225.2430.80001	225.3030.10001	225.3030.80001
22	 G227.01.0001 G227.01.0002 G227.01.0003	21/58/2050	1	-	-	-	-	-
		21/58/2350	-	-	1	-	-	-
		21/58/2950	-	-	-	-	1	-
	 G132.01.0020 G132.01.0021 G132.01.0022	38/58/2050	-	1	-	-	-	-
		38/58/2350	-	-	-	1	-	-
		38/58/2950	-	-	-	-	-	1
23	 R002.0015.2050 R002.0015.2350 R002.0015.2950	21/121/2050	37	-	-	-	-	
		21/121/2350	-	-	37	-	-	
		21/121/2950	-	-	-	-	37	-
	 R002.0040.2050 R002.0040.2350 R002.0040.2950	38/121/2050	-	37	-	-	-	
		38/121/2350	-	-	-	37	-	
		21/121/2950	-	-	-	-	-	37
24	 	21/121/2950	20	-	20	-	20	
		38/121/2950	-	20	-	20	-	20
25	 	28/60/300	4	-	4	-	4	
		38/60/300	-	4	-	4	-	4

225.xxxx.10001 - M228.001 225.xxxx.80001 - M225.001		Abmessung (mm)	Anzahl (Stück)					
Pos	Bild		225.2130.10001	225.2130.80001	225.2430.10001	225.2430.80001	225.3030.10001	225.3030.80001
M1	K001.8050.0004 	5,0 x 80	10	30	10	30	10	30
M2	K001.6040.0004 	4,0 x 60	55	380	55	230	55	230
M3	K001.4040.0004 	4,0 x 40	560	230	560	380	560	380
M4	K001.3535.0004 	3,5 x 35	150	150	150	150	150	150
M5	K001.3035.0004 	3,5 x 30	100	100	100	100	100	100
M6	K001.2535.0004 	3,5 x 25	55	55	55	55	55	55
M7	K010.5022.0001 	2,2 x 55	730	730	730	730	730	730
M8	K010.3016.0001 	1,6 x 30	10	10	10	10	10	10
-	-	-	-	-	-	-	-	-
M10	K065.9000.0001 	0/40/40	1	1	1	1	1	1
M11	K100.1010.0001 	Ø 65	1	1	1	1	1	1
M12	K002.9522.0001 	2,2 x 9,5	2	-	2	-	2	-
	K002.1625.0001	2,5 x 16	-	2	-	2	-	2

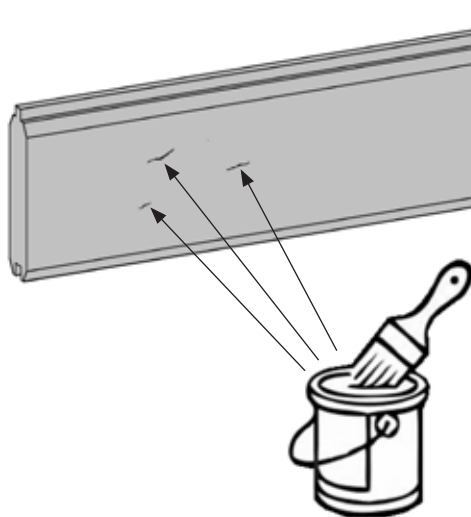
1.

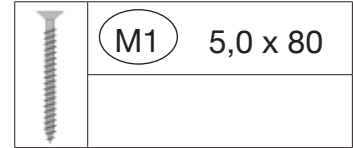
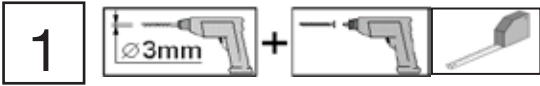


2.

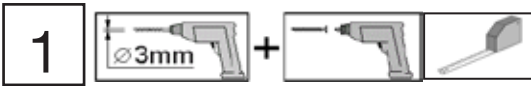
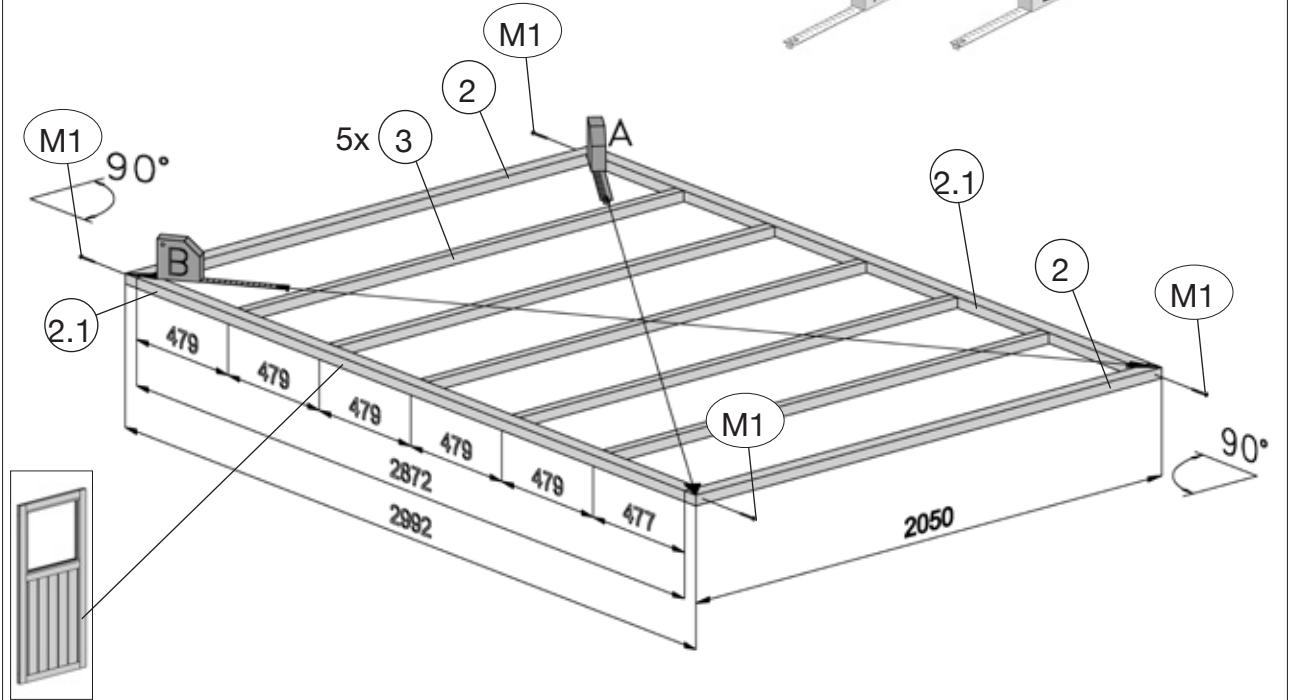


3.

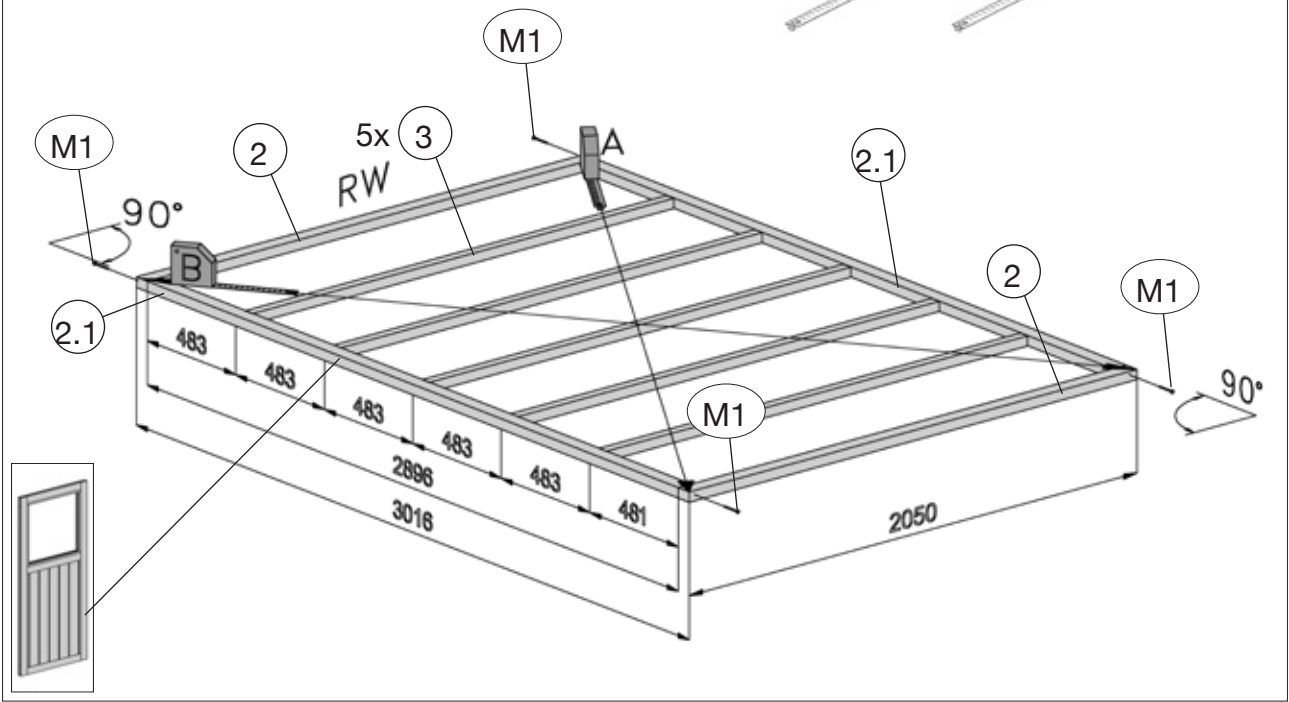
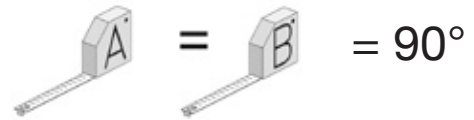




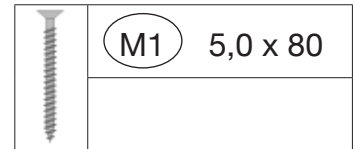
Art.-Nr.: 225.2130.10001



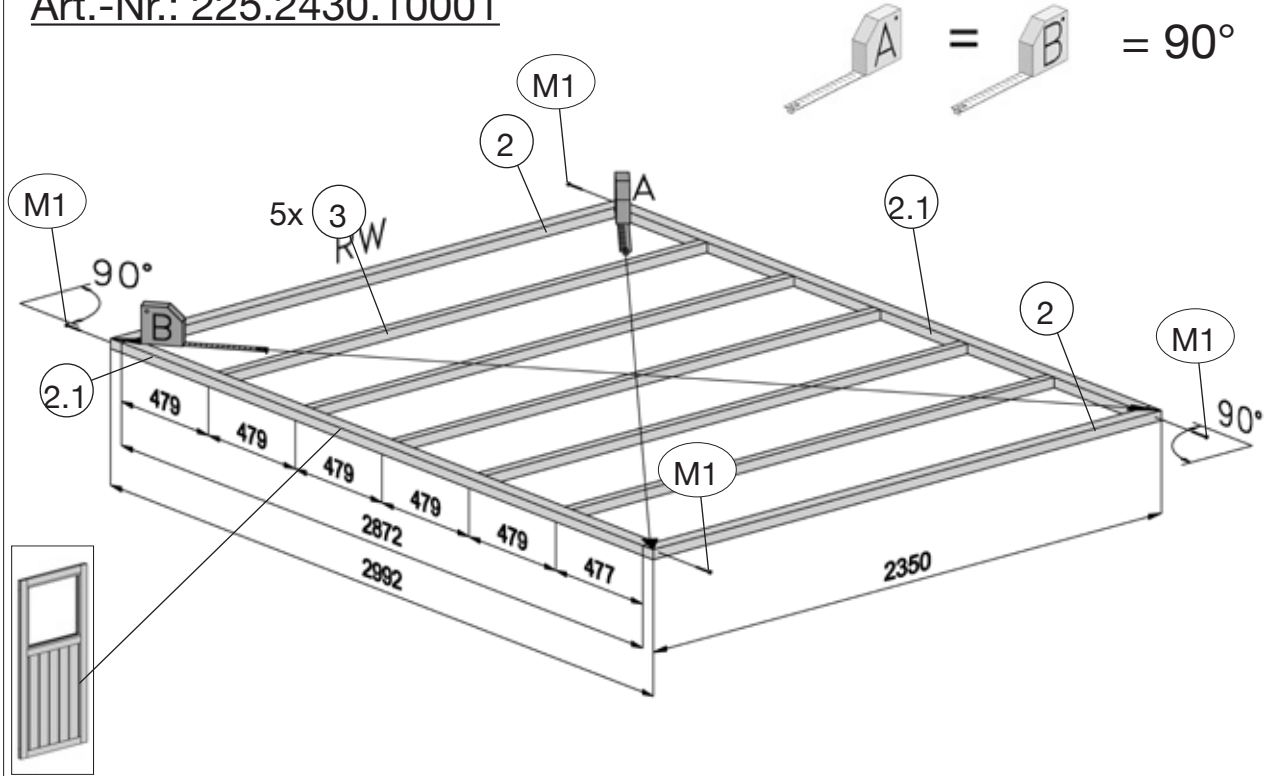
Art.-Nr.: 225.2130.80001



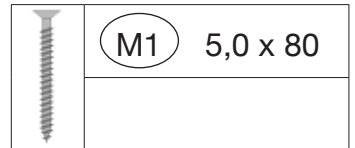
1



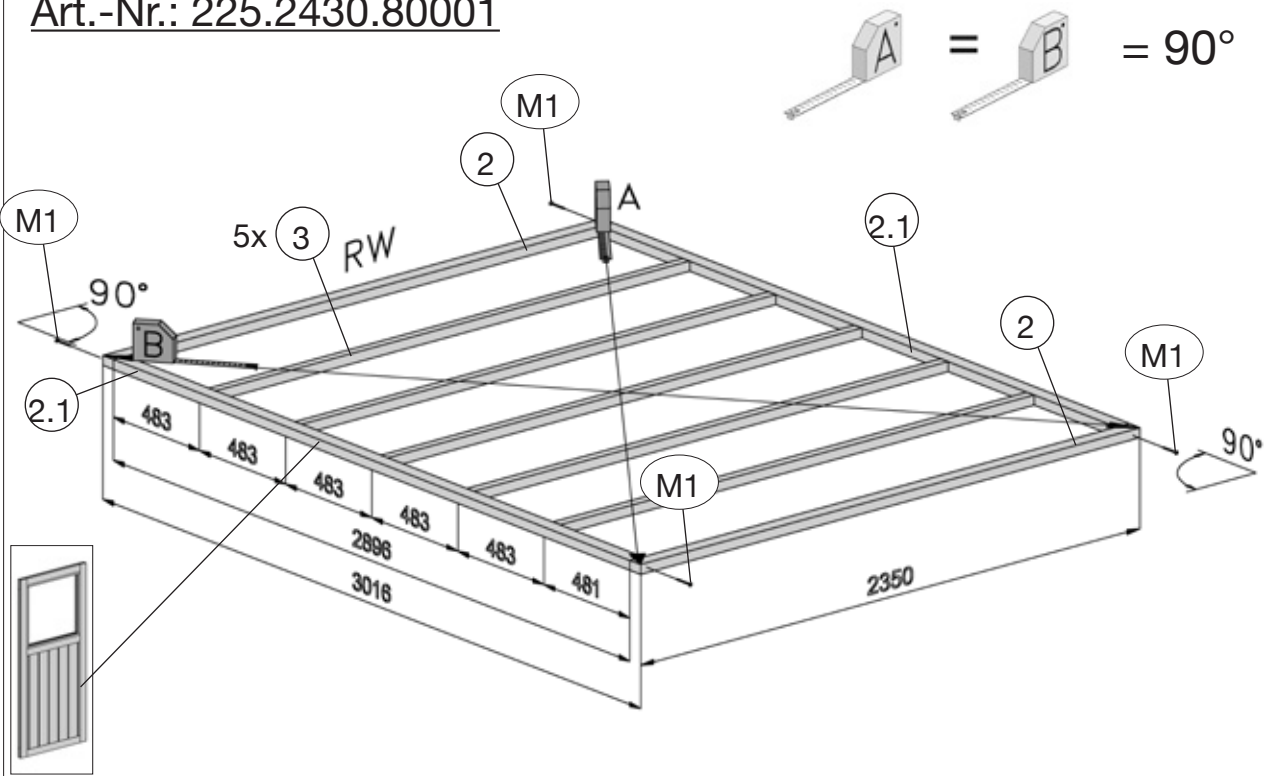
Art.-Nr.: 225.2430.10001

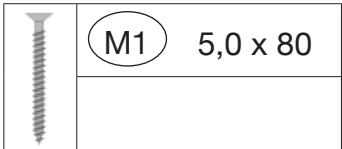
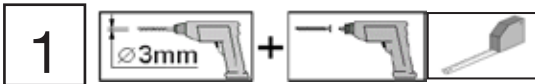


1

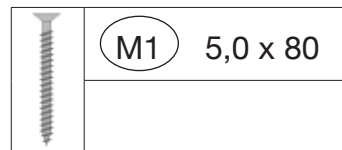
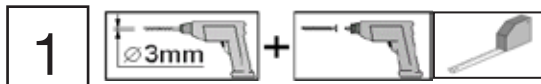
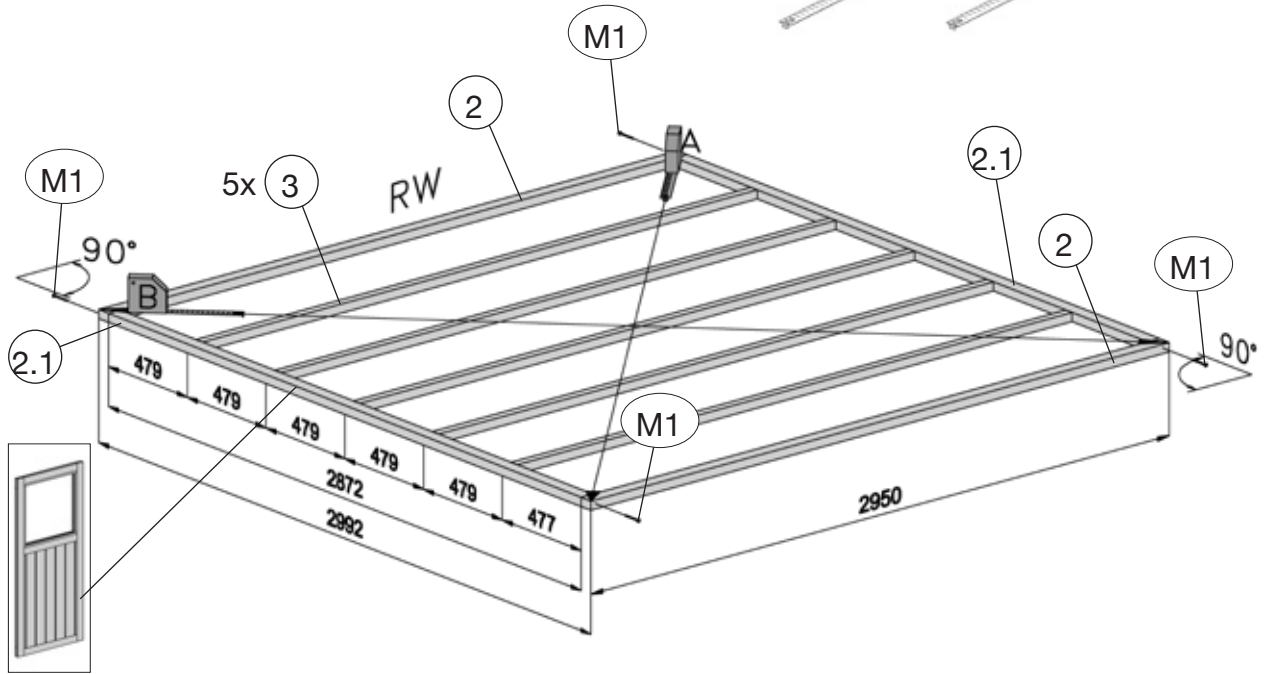
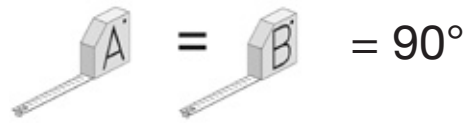


Art.-Nr.: 225.2430.80001

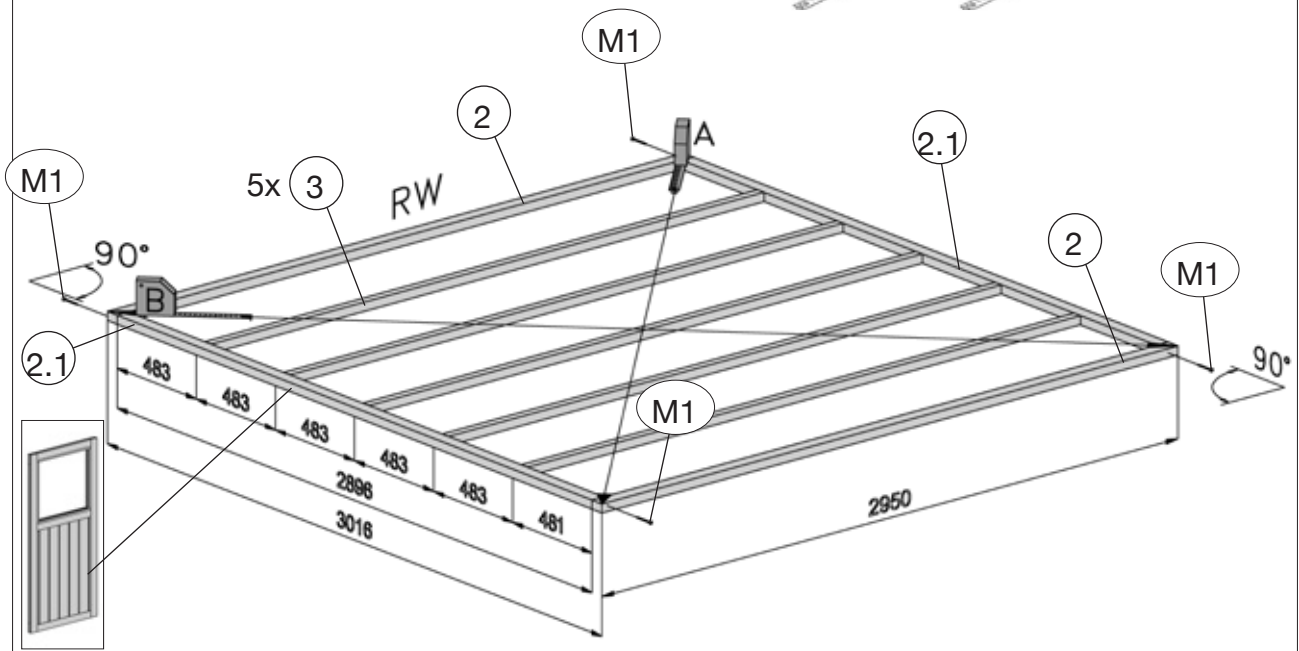
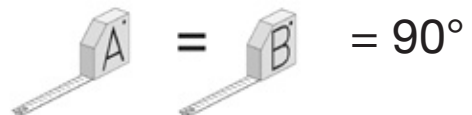




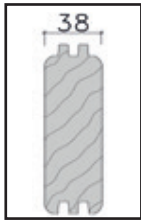
Art.-Nr.: 225.3030.10001



Art.-Nr.: 225.3030.80001



2



225.XXXX.80001

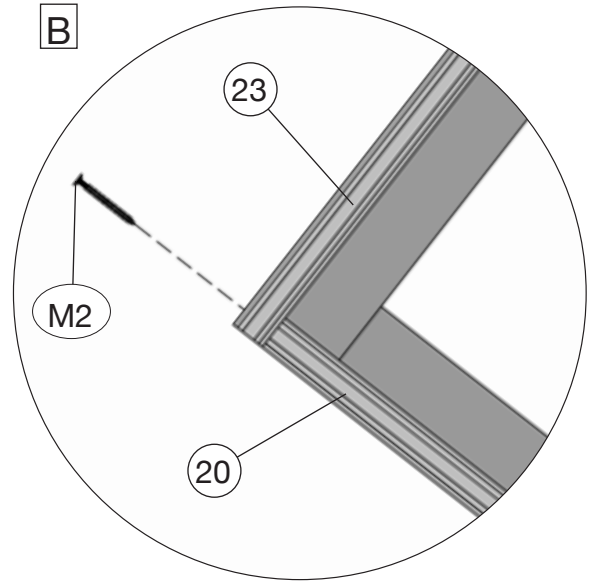
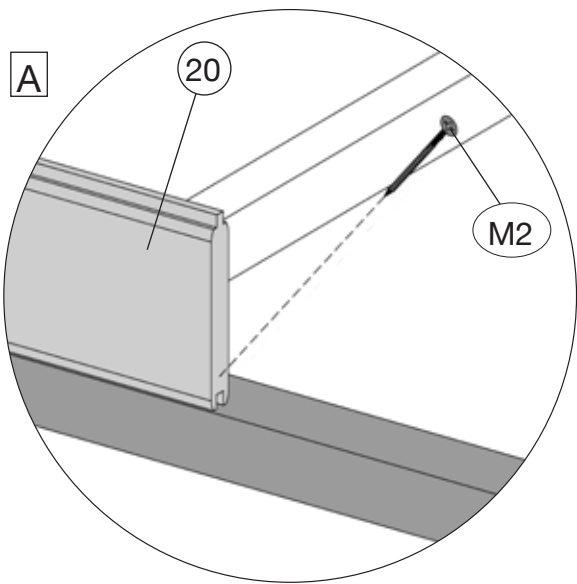
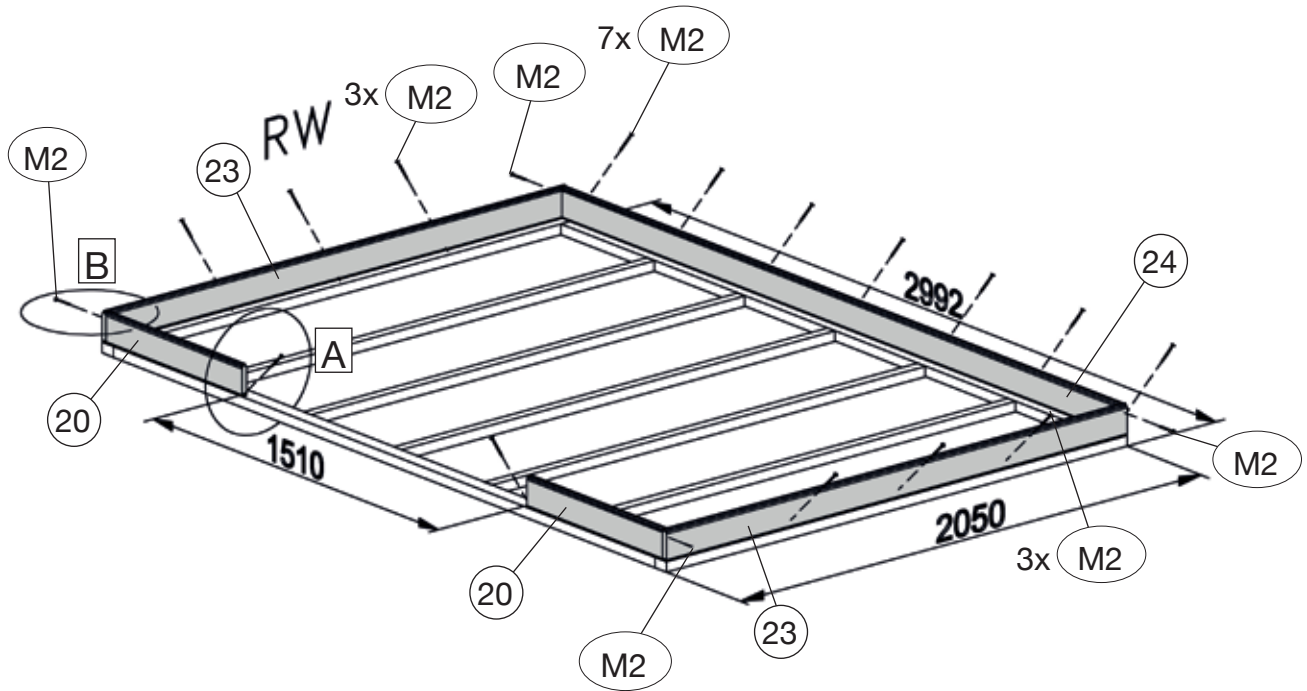
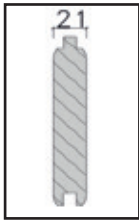


Abb.: 225.2130.10001

2



225.XXXX.10001	
M3	4,0 x 40

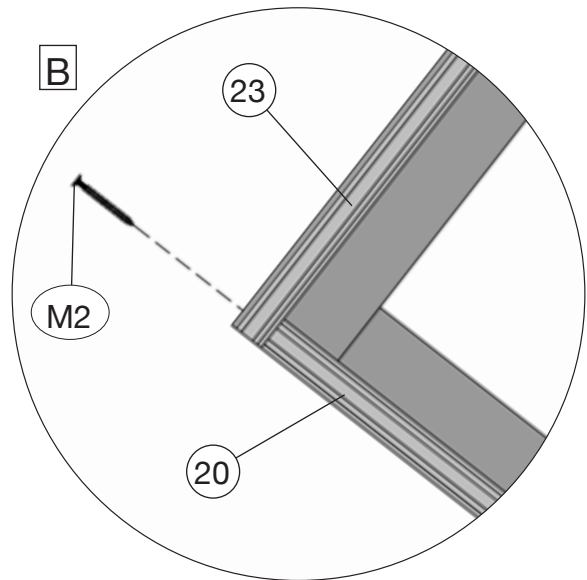
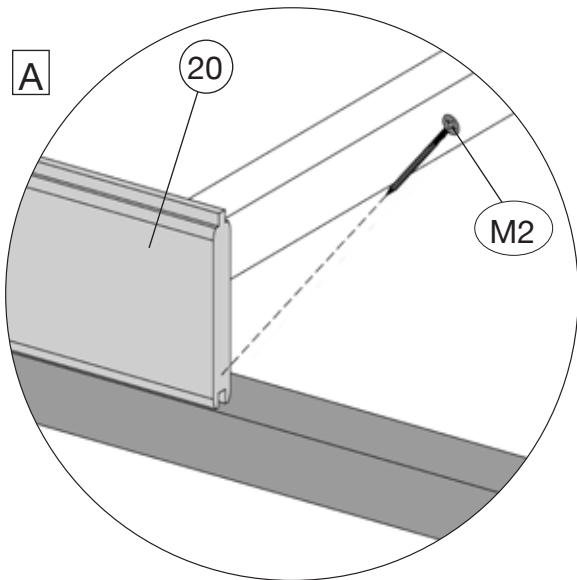
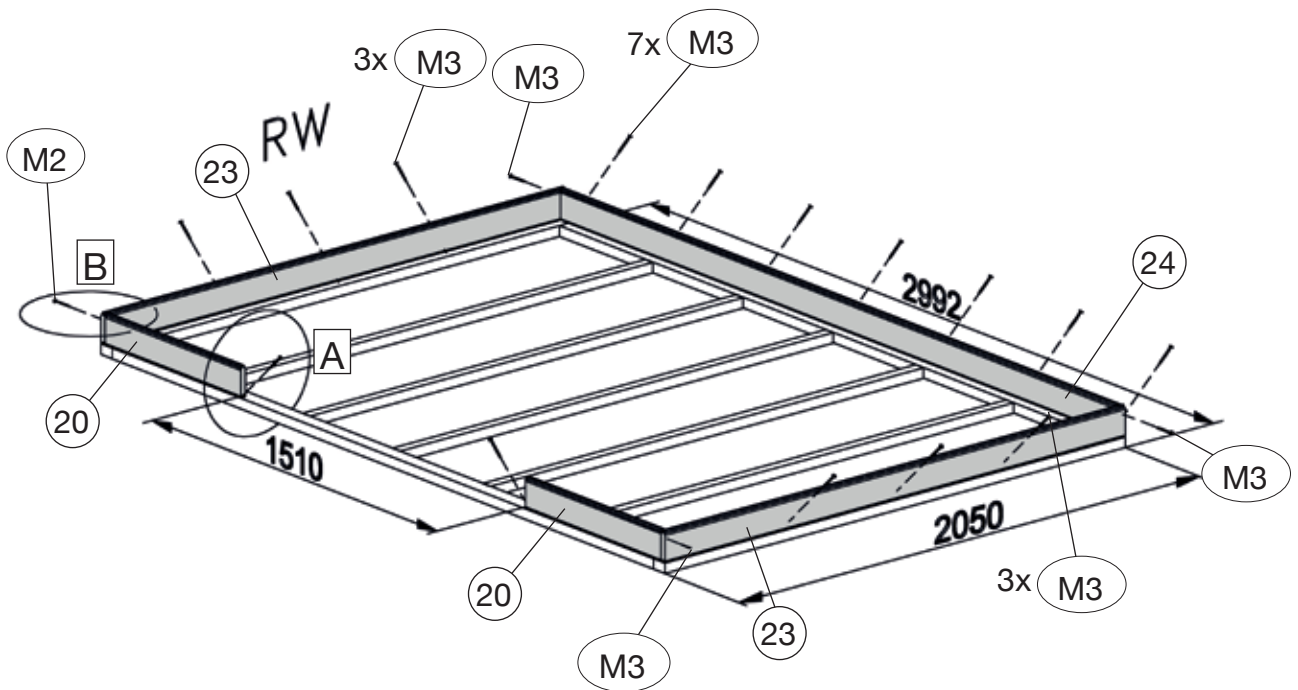
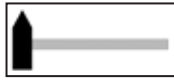
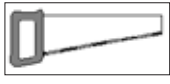


Abb.: 225.2130.10001

3



M7 2,2 x 55

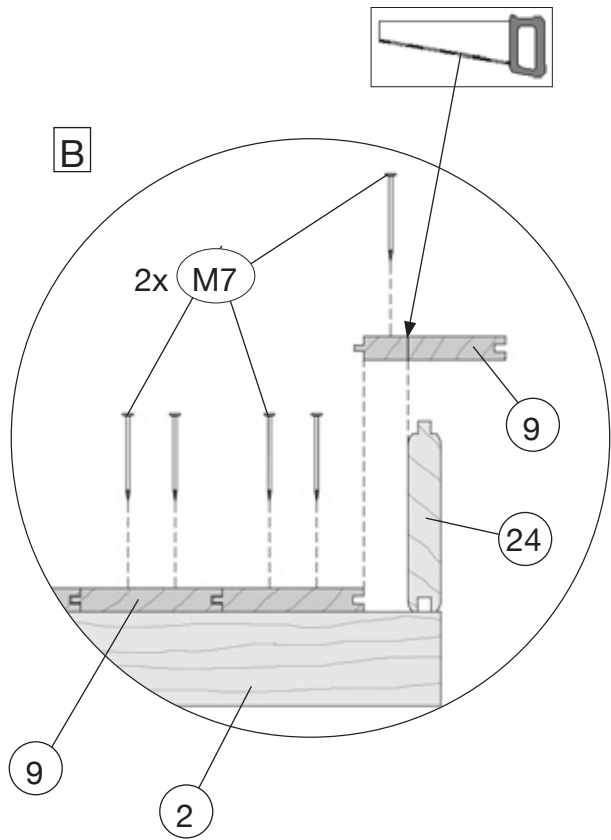
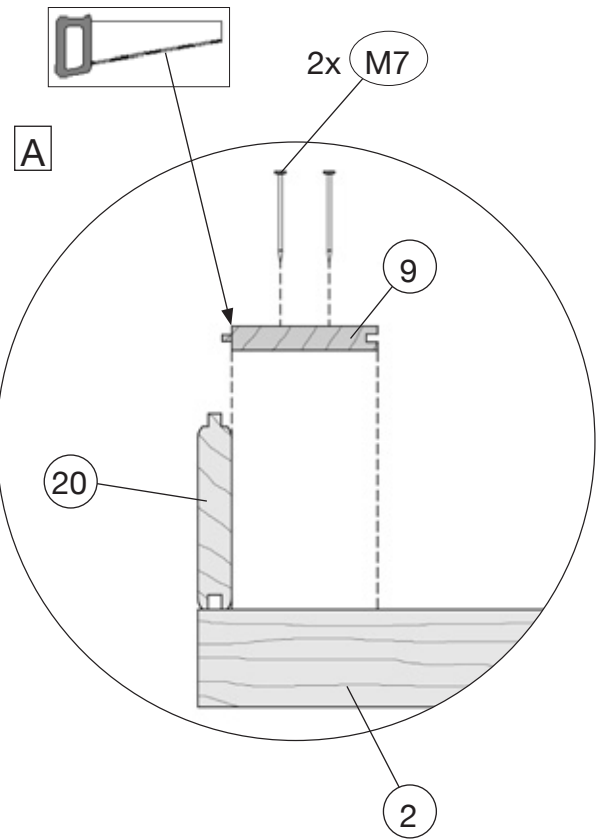
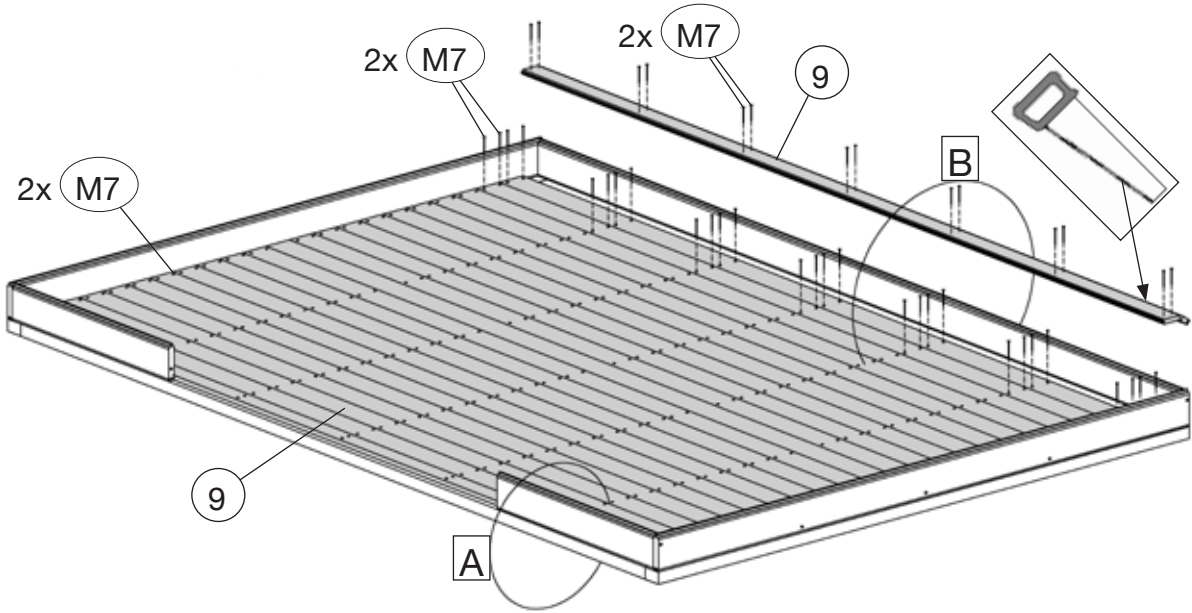




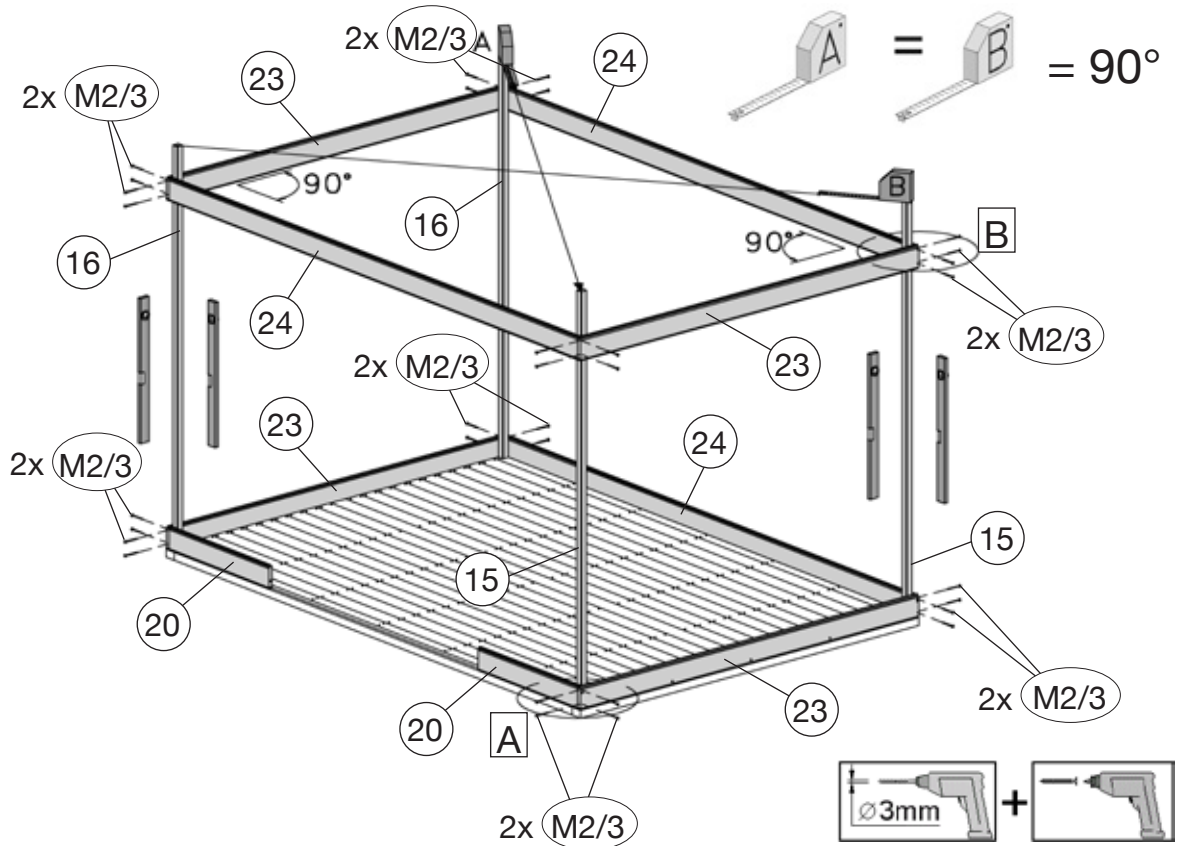


Abb.: 225.2130.10001

4

225.xxxx.80001			M2 4,0 x 60

225.xxxx.10001			M3 4,0 x 40



Die oberen Wandbohlen werden nur vorübergehend als Montagehilfe befestigt (Abb.5), später wieder abgenommen und an anderer Stelle montiert. (Abb.9)

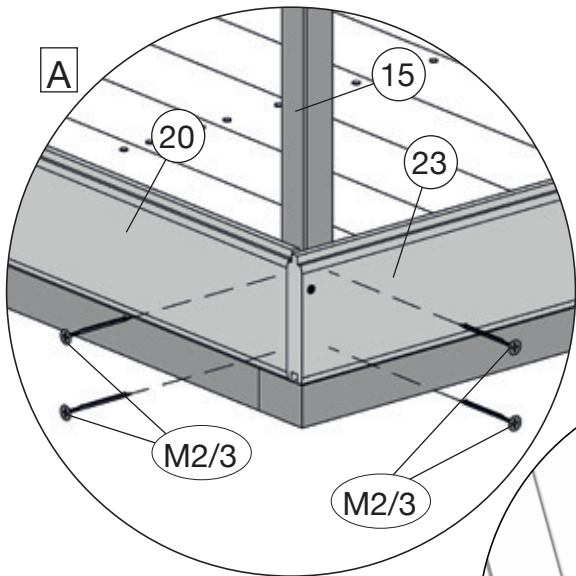
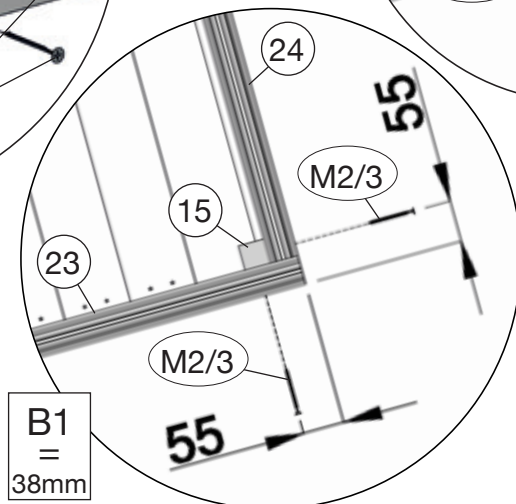
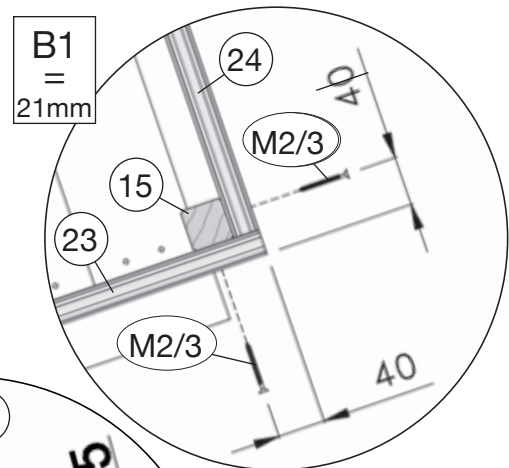



Abb.: 225.2130.10001





	M3	4,0 x 40
	M2	4,0 x 60

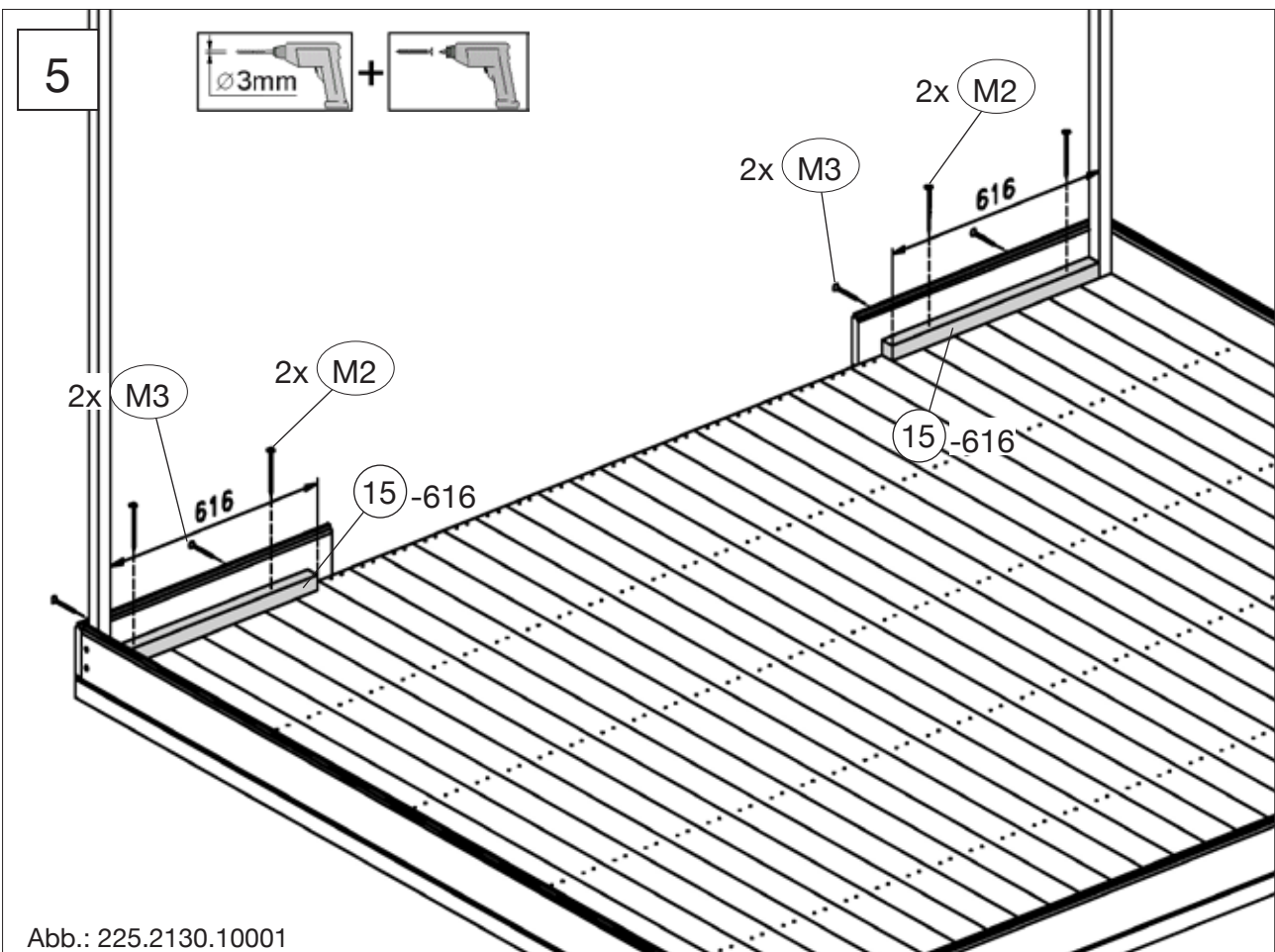
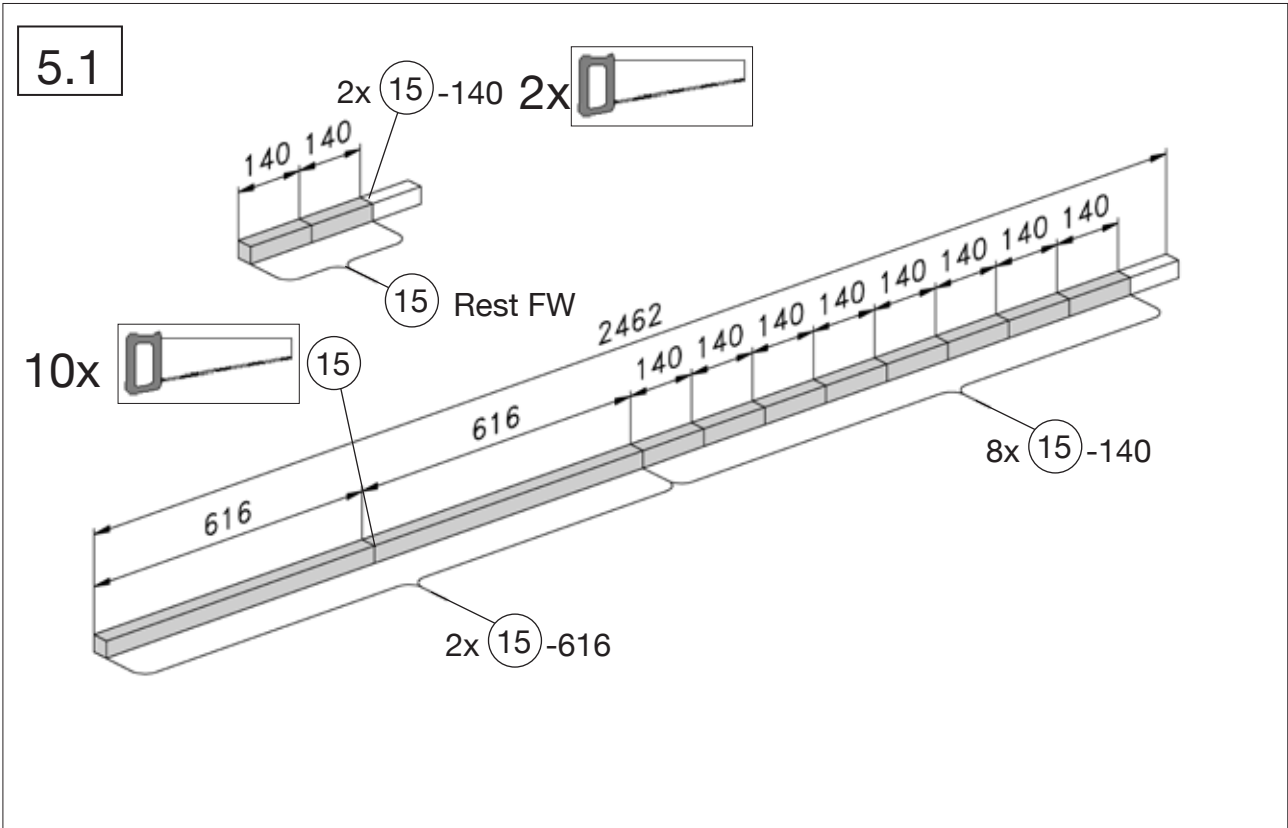



Abb.: 225.2130.10001

5 

5.1a Art.-Nr.: 225.--30.80001

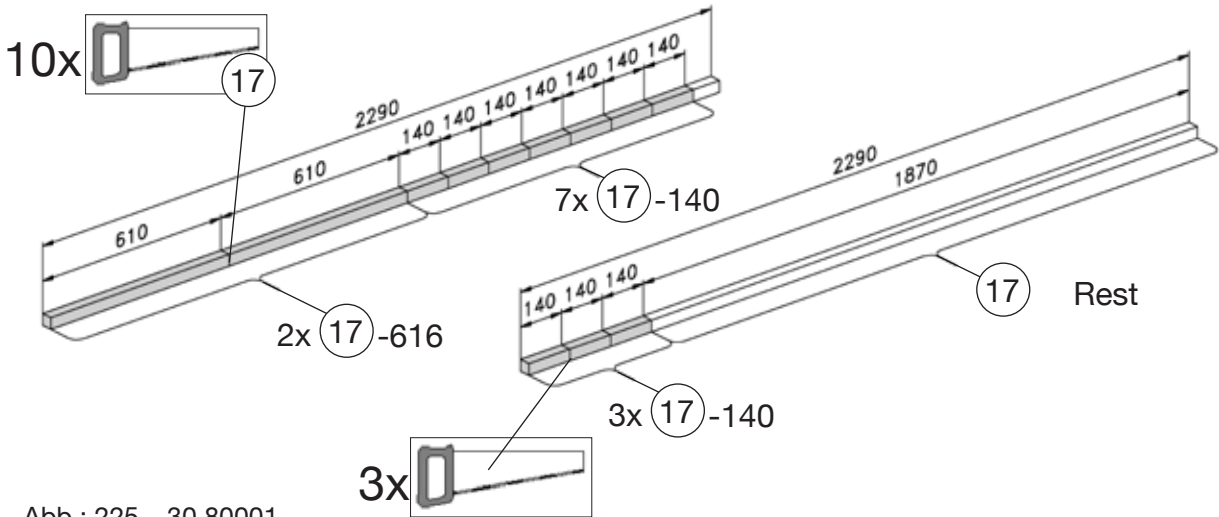




Abb.: 225.--30.80001

225.xxxx.80001		M2 4,0 x 60	225.xxxx.10001		M3 4,0 x 40

6

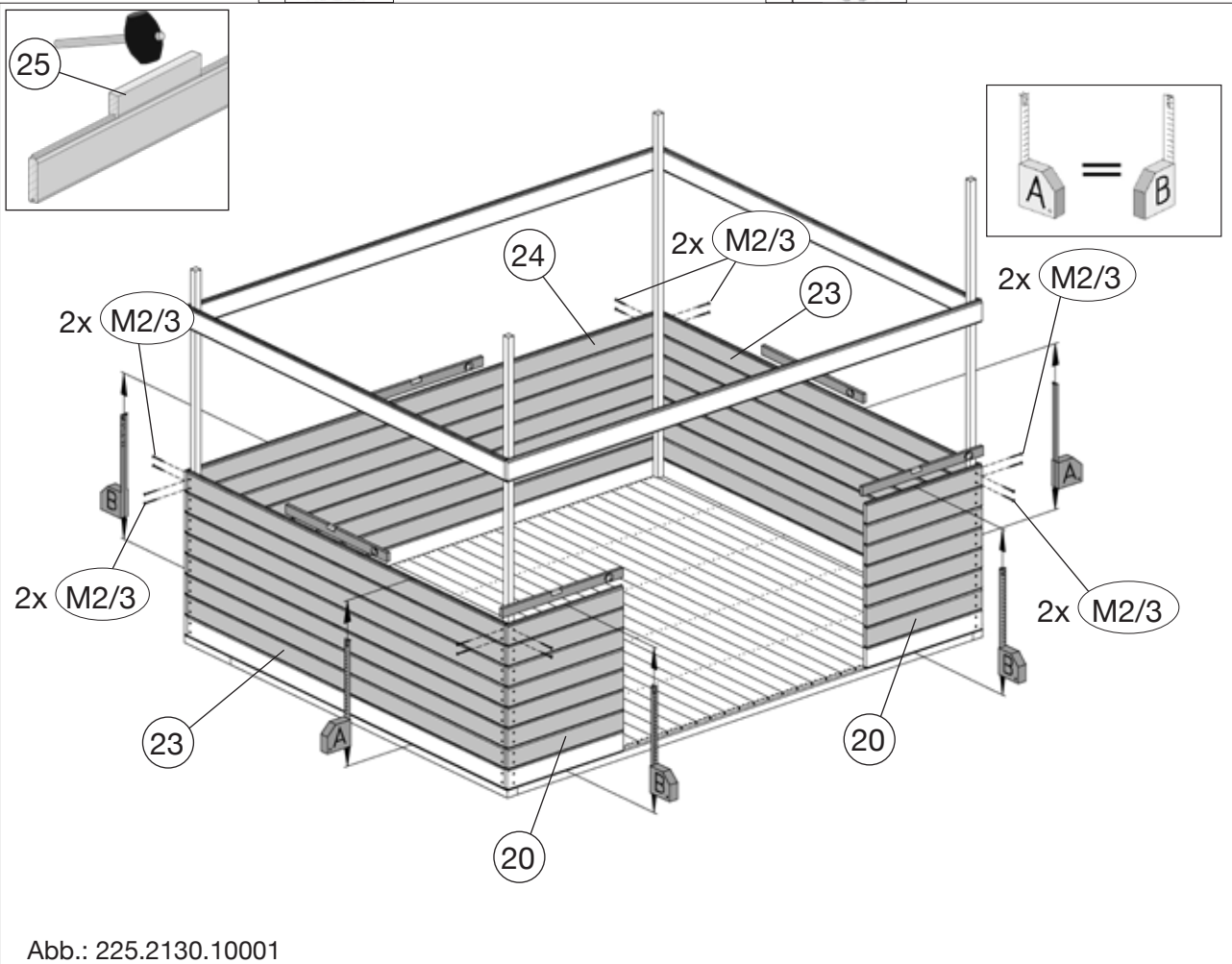
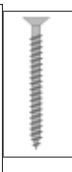
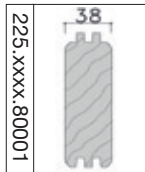
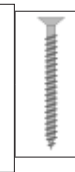
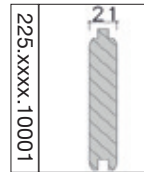


Abb.: 225.2130.10001

7



M2 4,0 x 60



M3 4,0 x 40

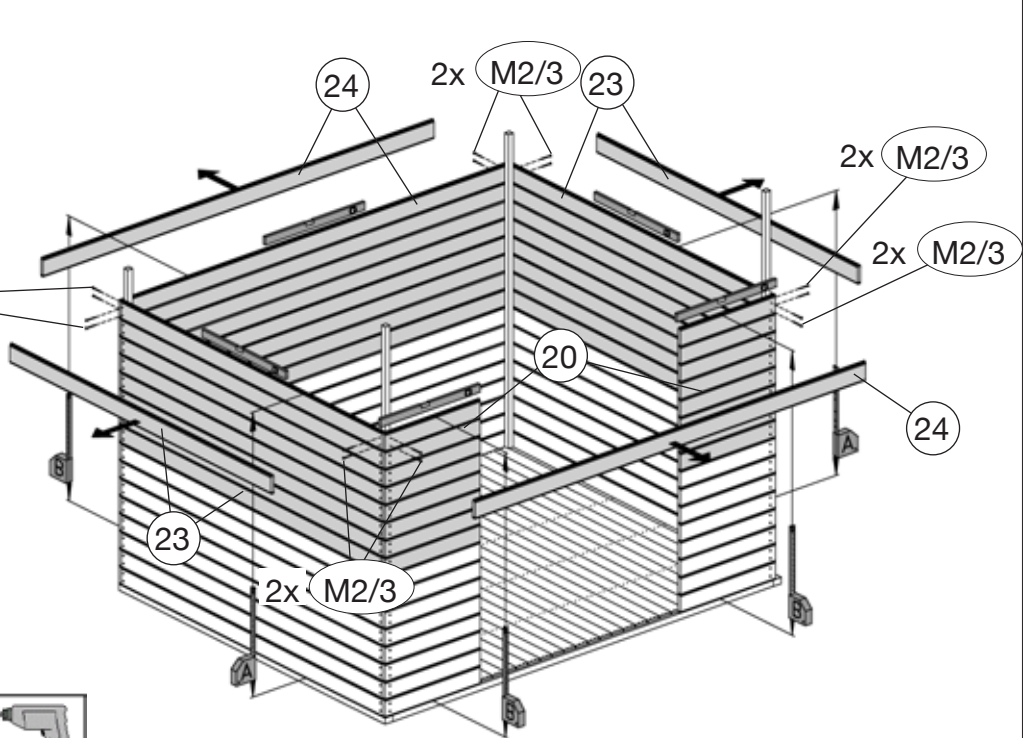
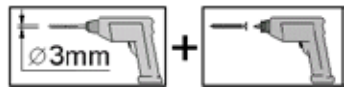
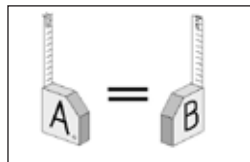
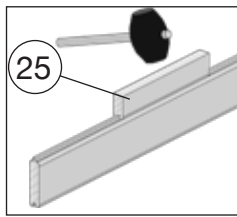
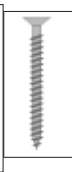
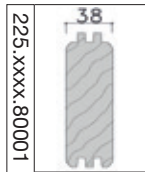
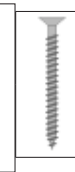
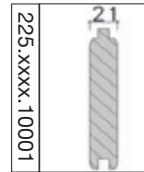


Abb.: 225.2130.10001

8



M2 4,0 x 60



M3 4,0 x 40

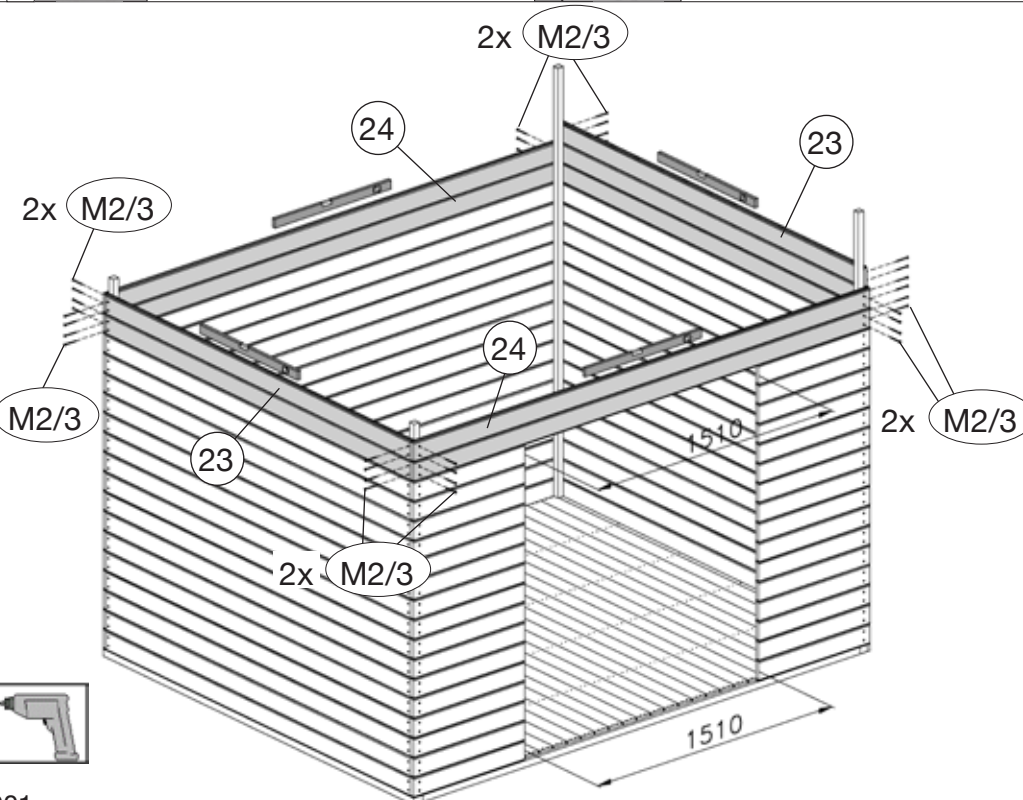
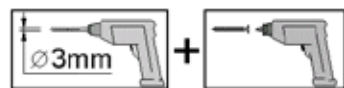
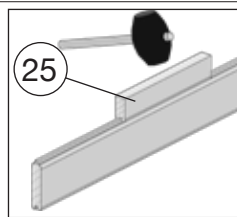
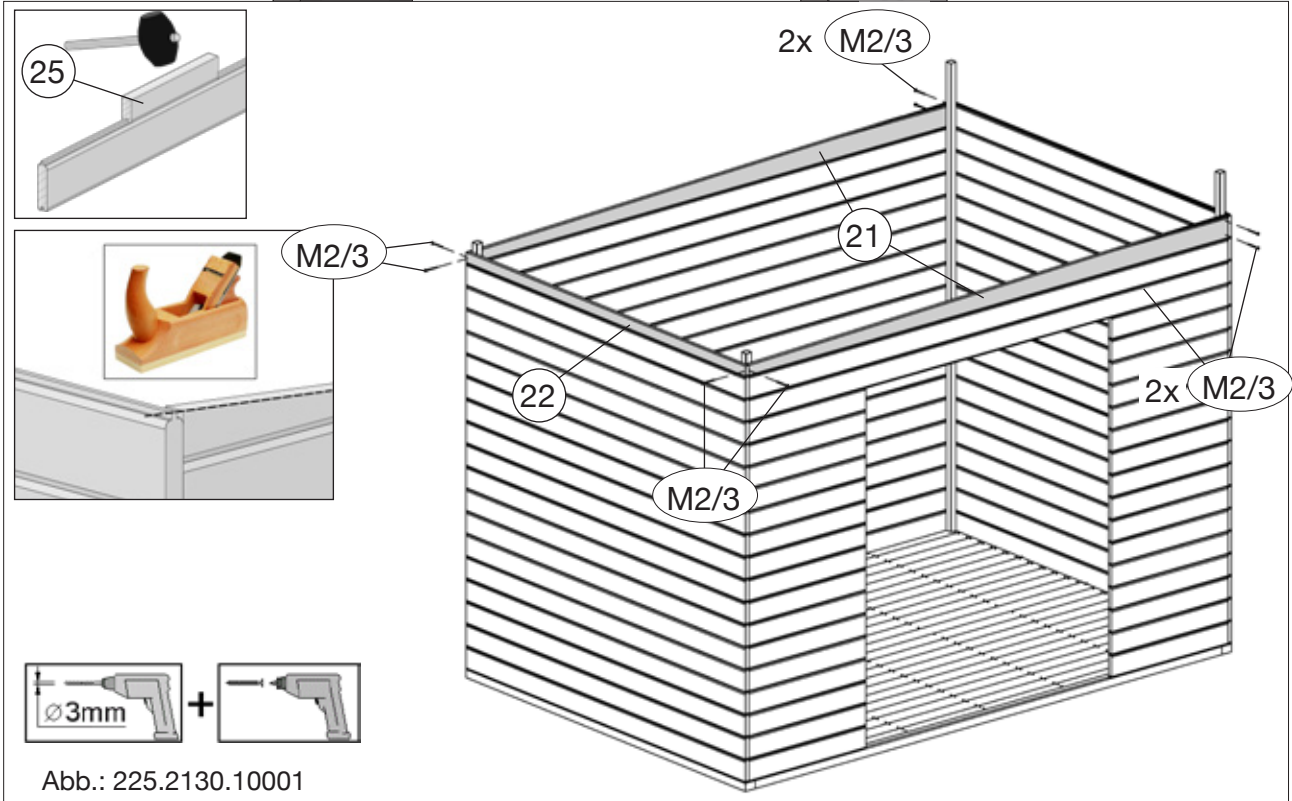
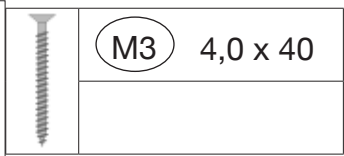
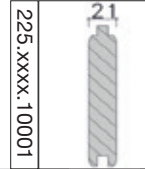
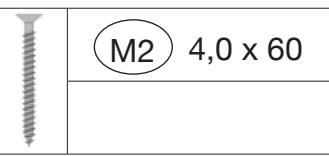
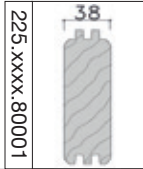
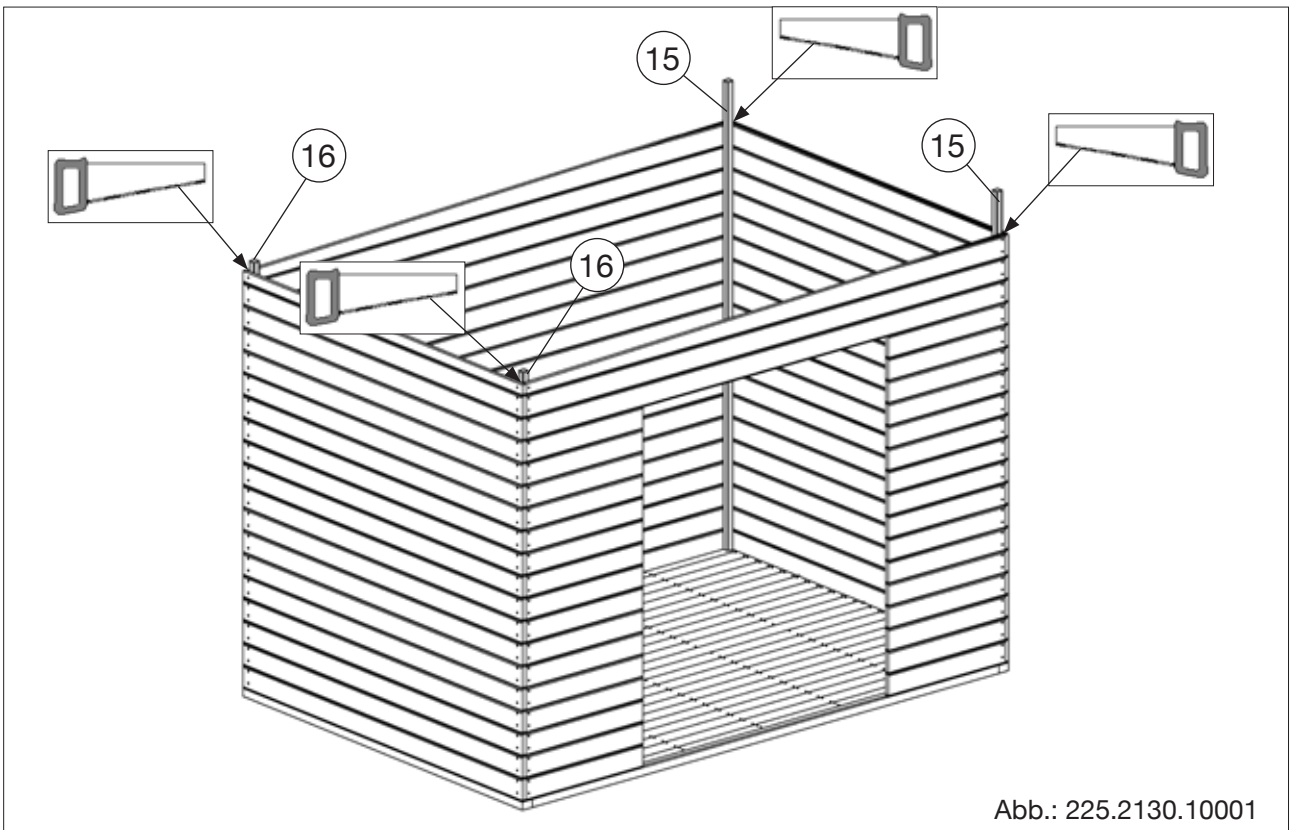
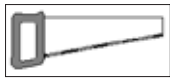


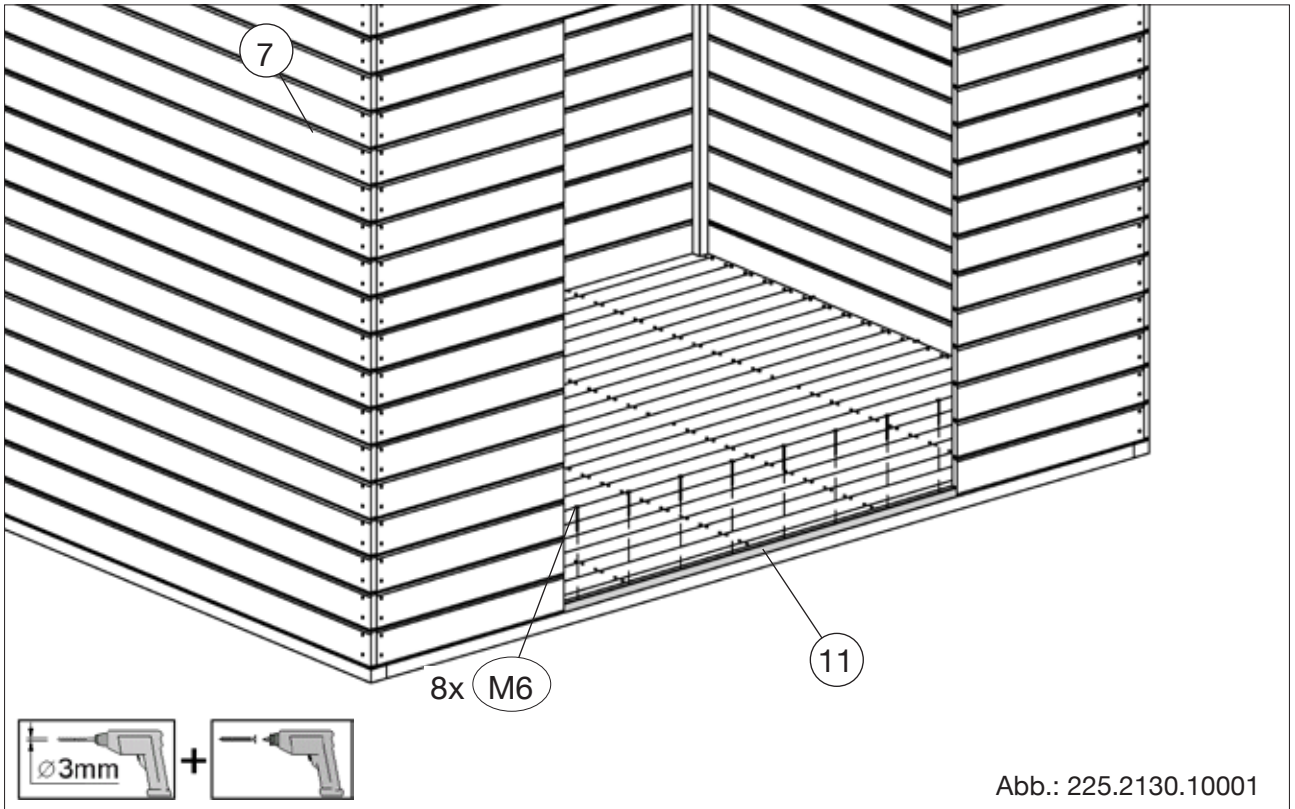
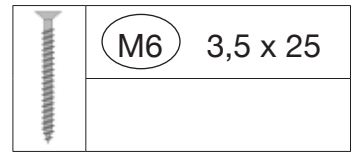
Abb.: 225.2130.10001

9

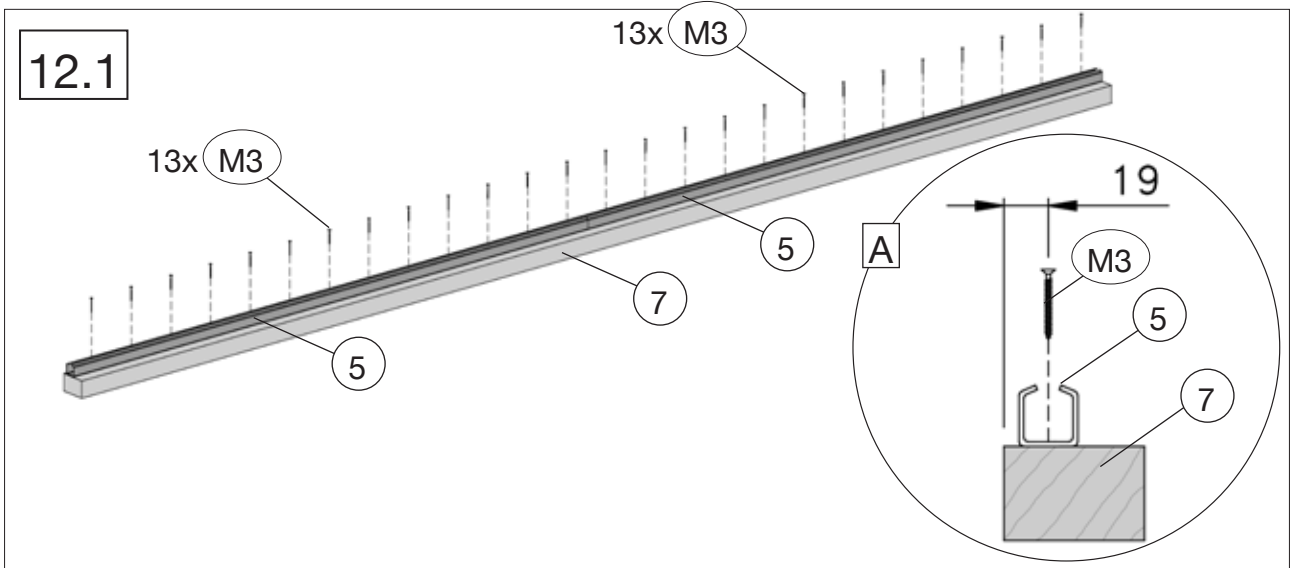
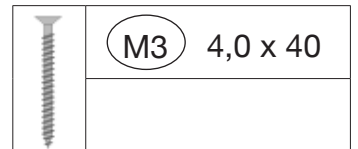


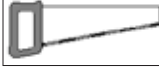
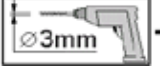




10

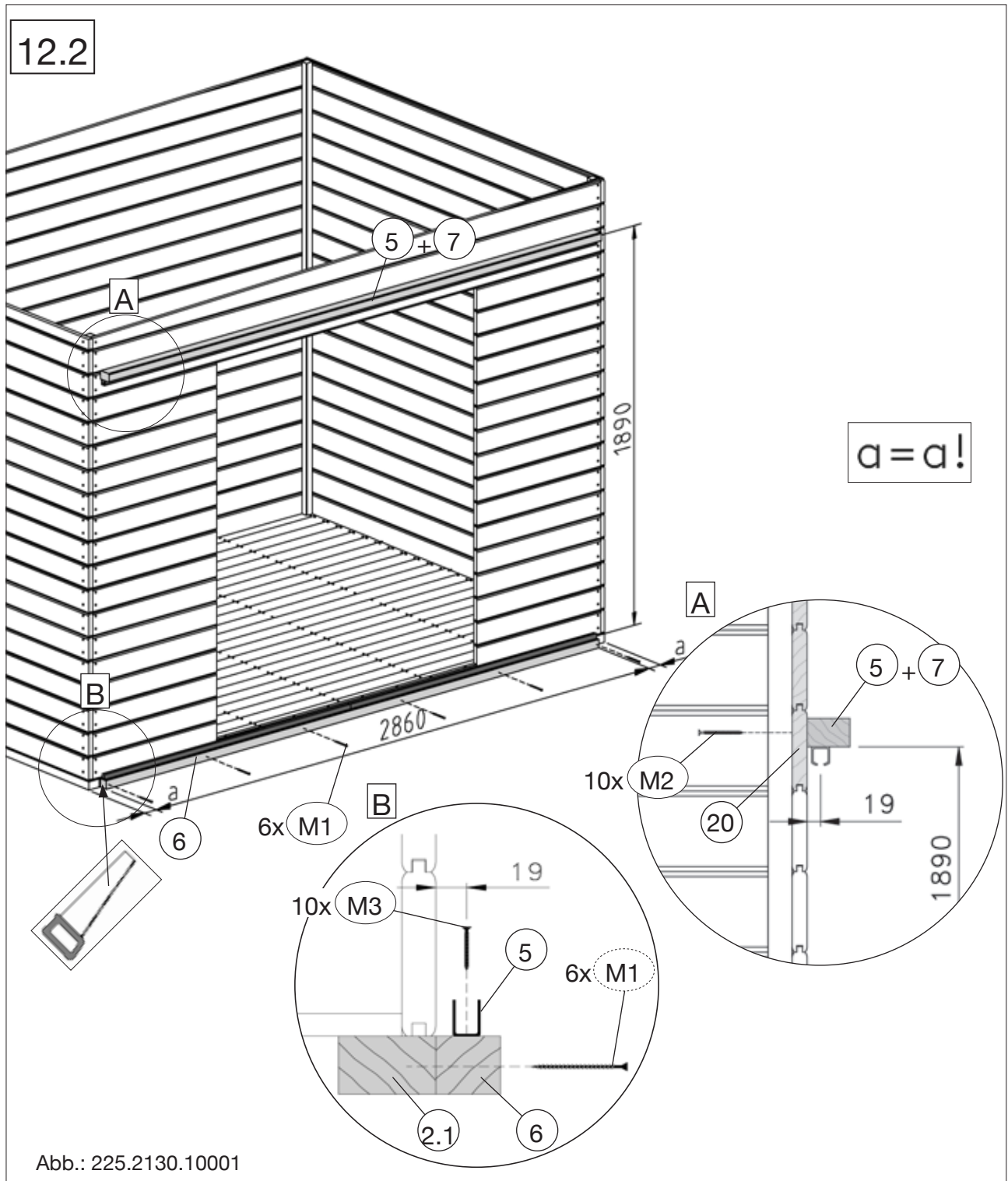


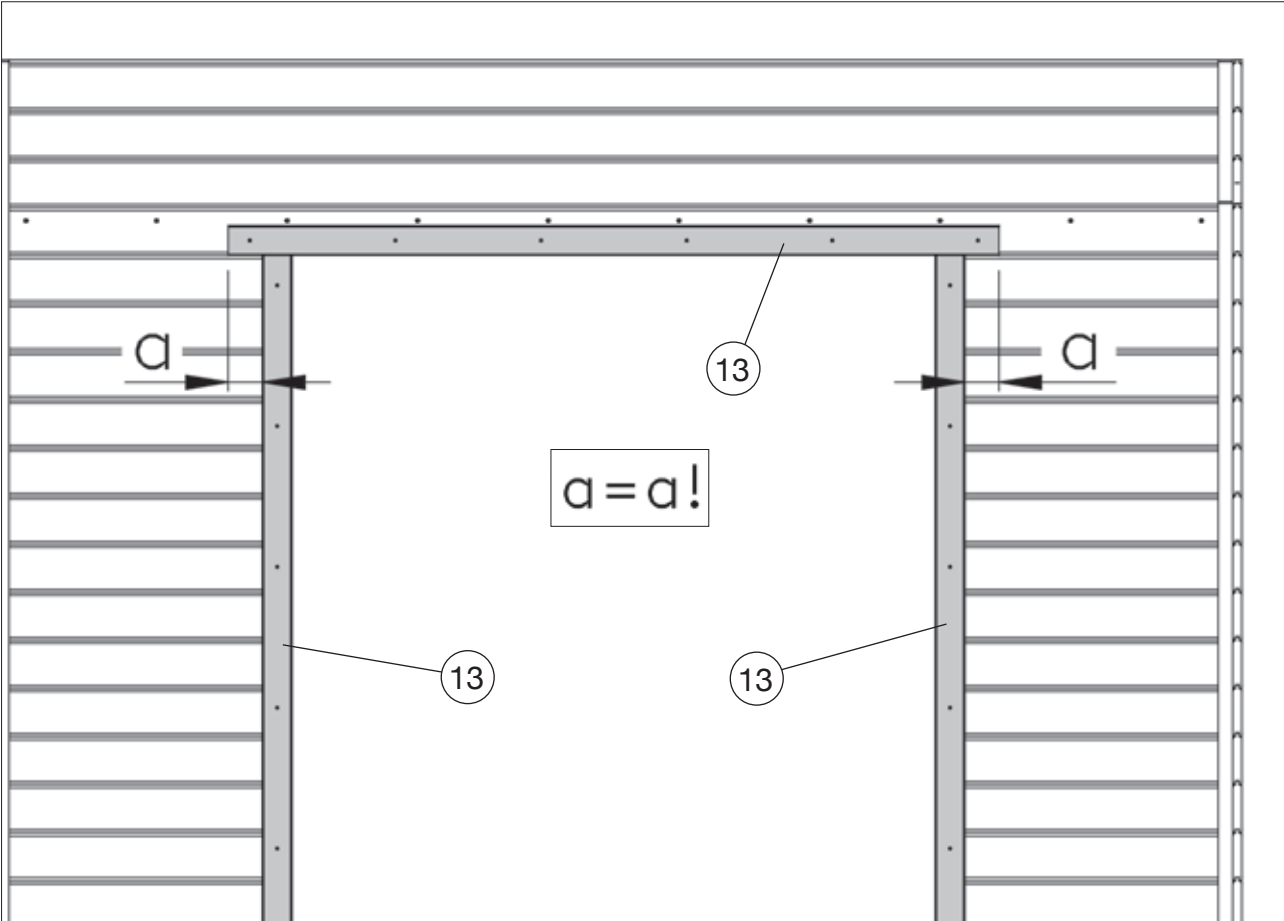
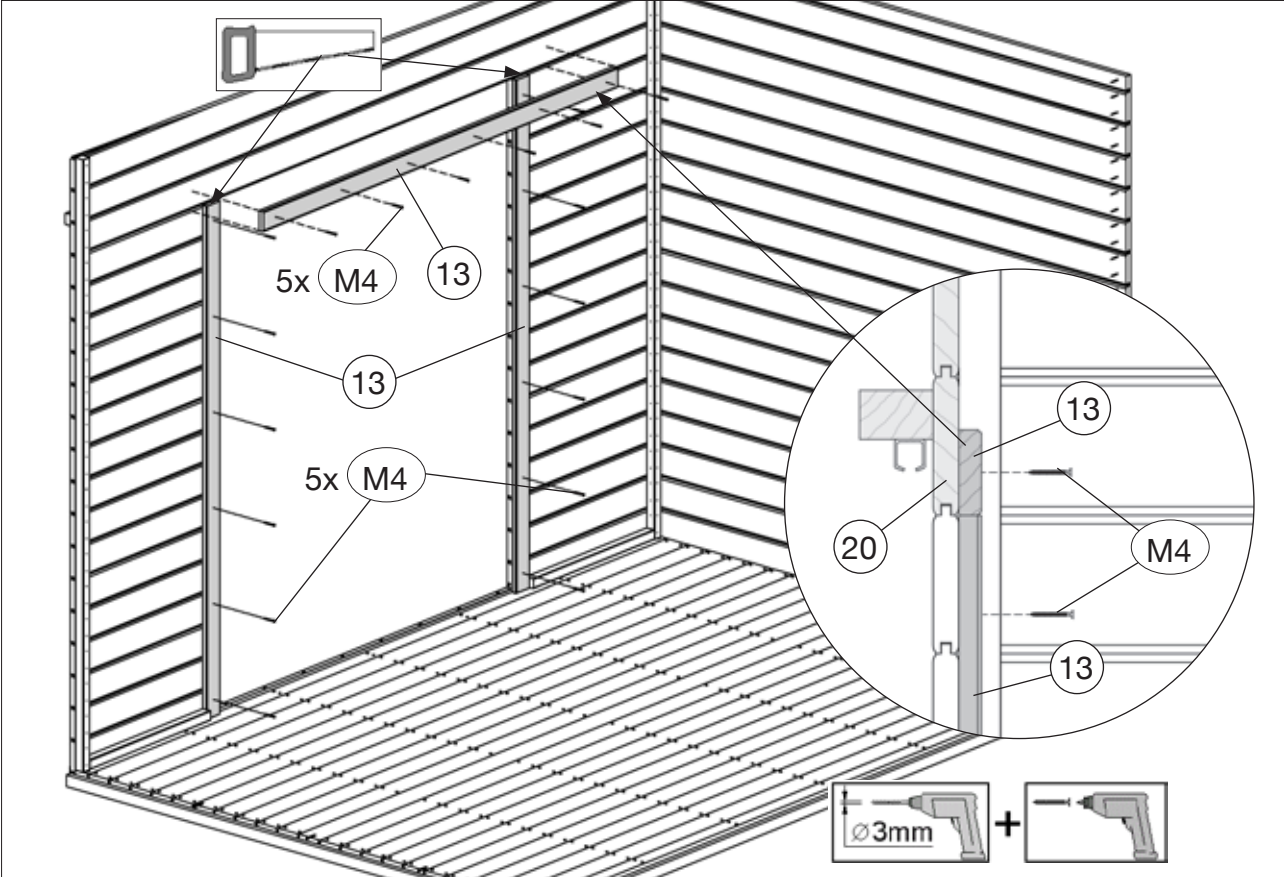
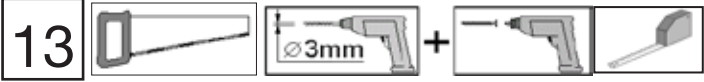


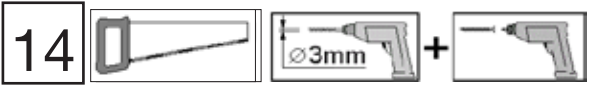
12



12			+			M1	5,0 x 80		M2	4,0 x 60
						M3	4,0 x 40			







	M4	3,5 x 35
	M5	3,5 x 30

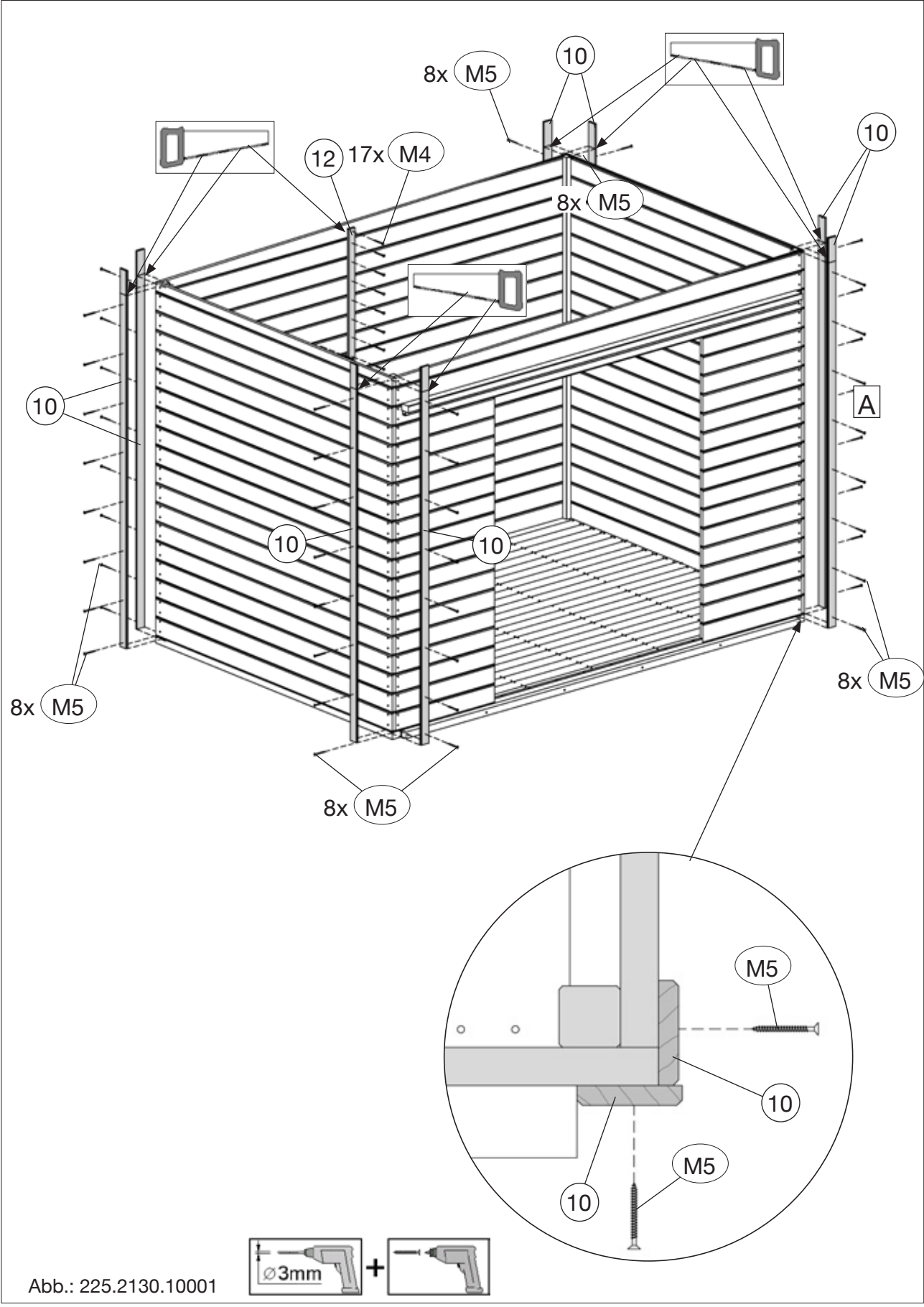




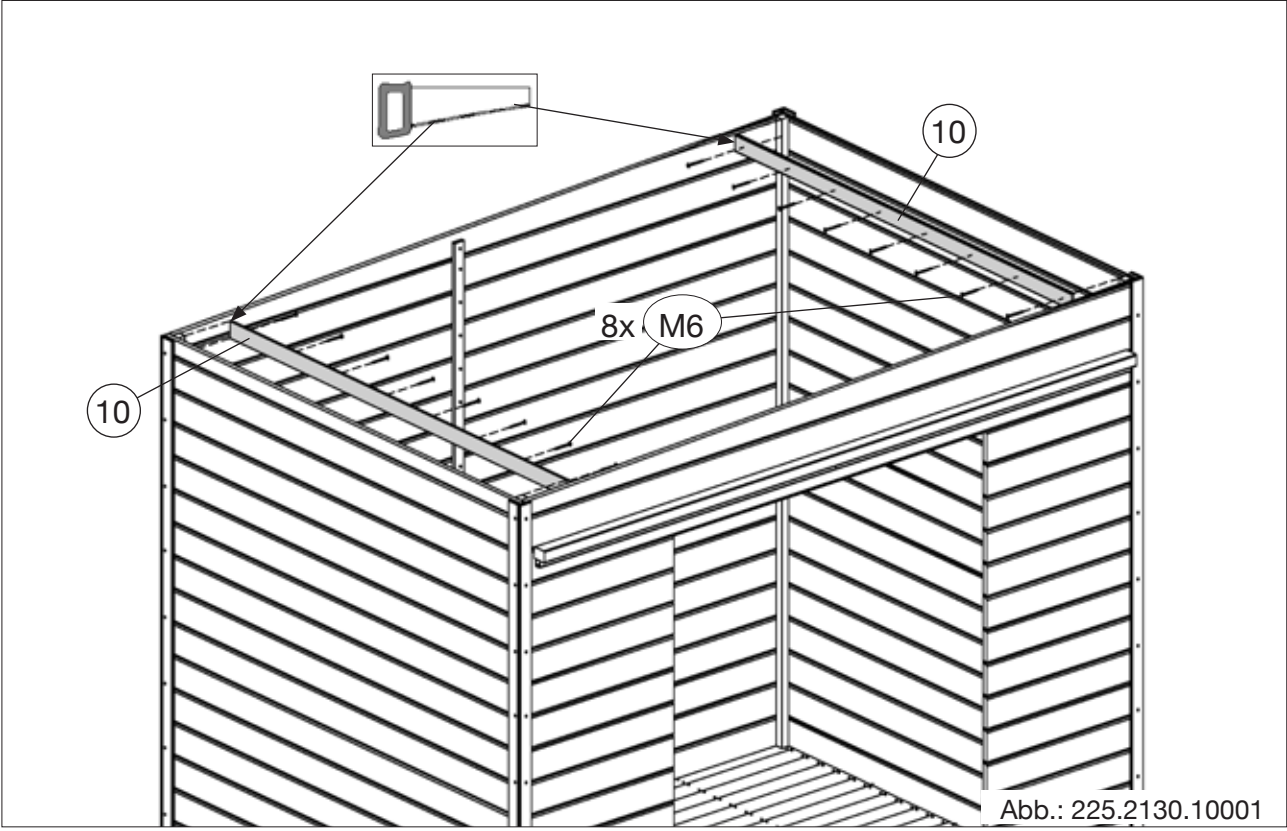



Abb.: 225.2130.10001


15   + 


 **M6** 3,5 x 25




16

225,xxxx,80001  38

 **M1** 5,0 x 80
M2 4,0 x 60

225,xxxx,10001  21

 **M2** 4,0 x 60
M3 4,0 x 40

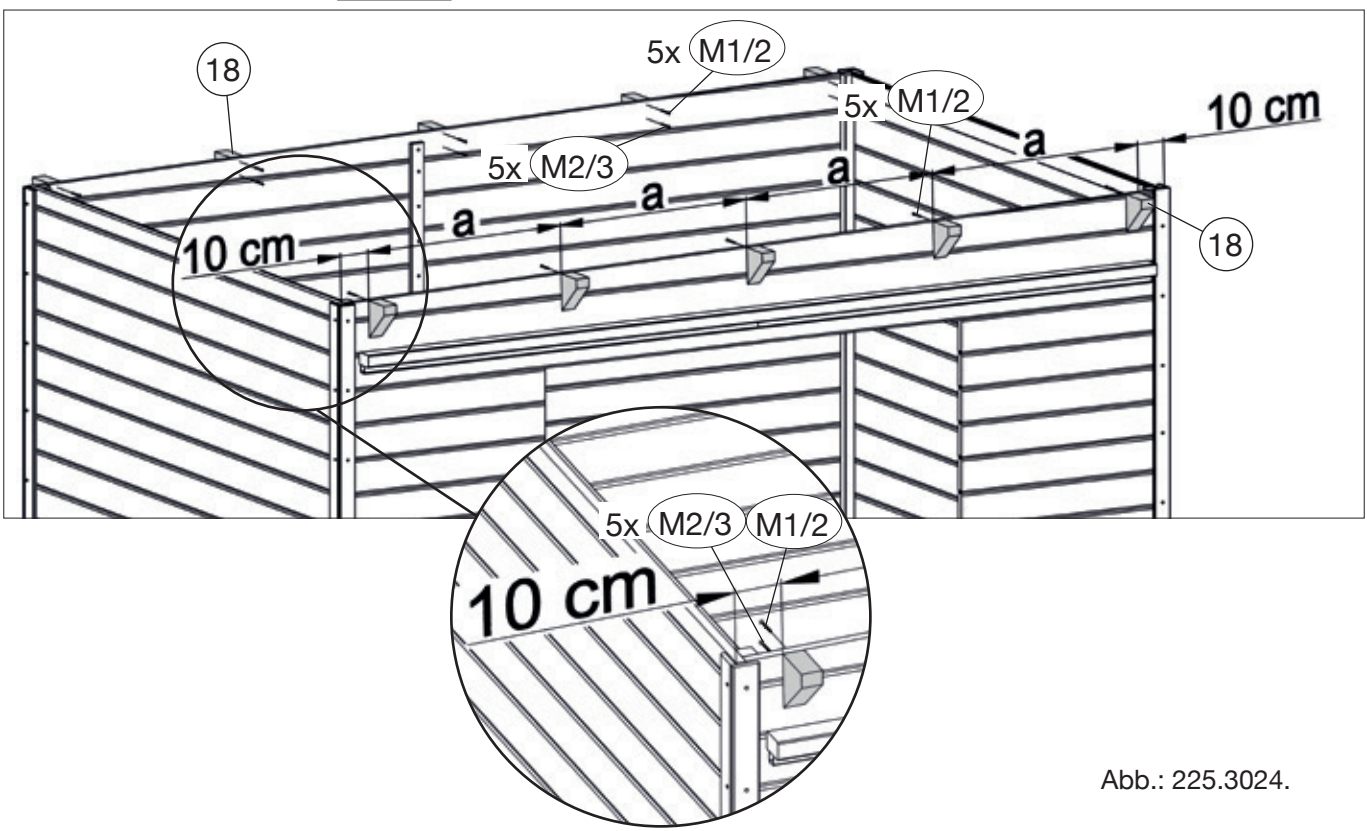
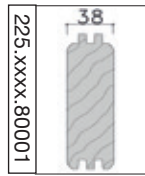
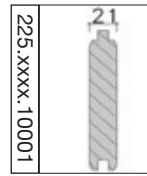


Abb.: 225.3024.

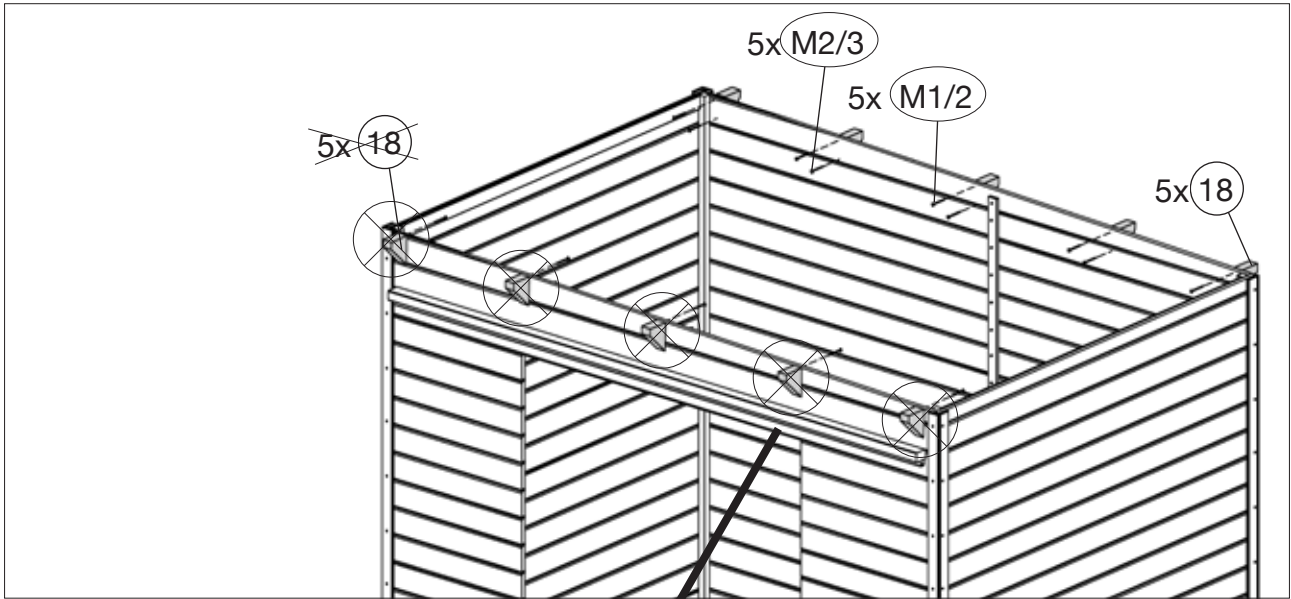
16.1



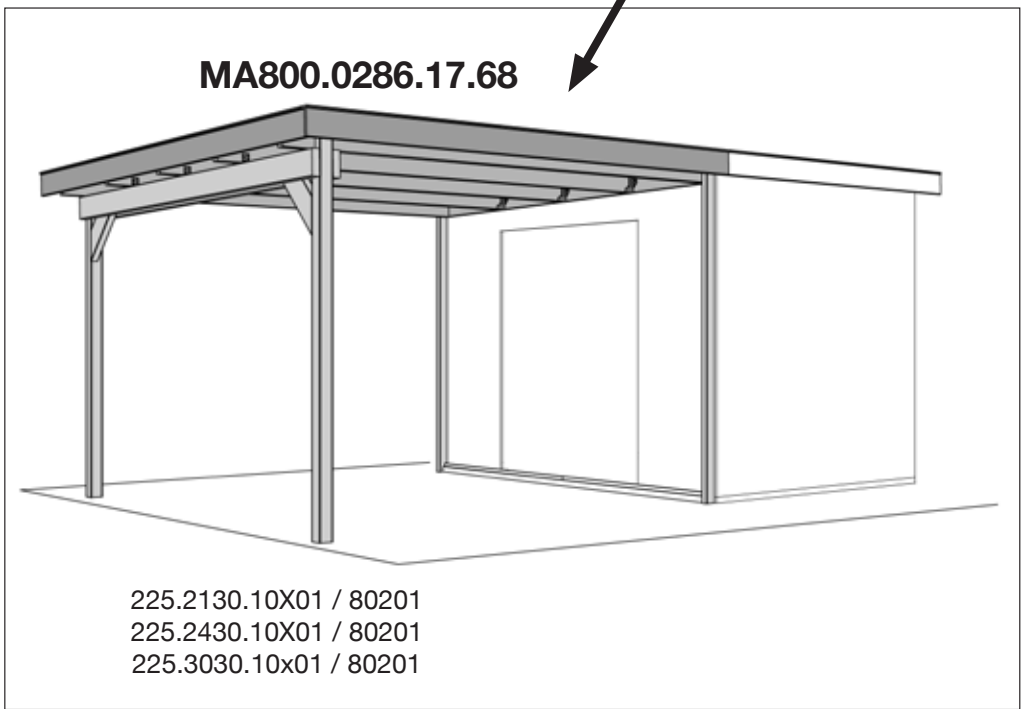
	M1	5,0 x 80
	M2	4,0 x 60



	M2	4,0 x 60
	M3	4,0 x 40

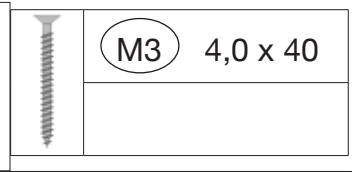
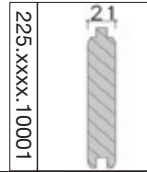
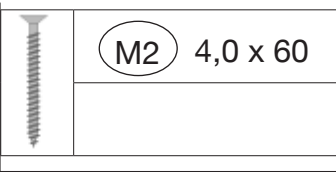
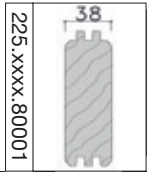


MA800.0286.17.68



225.2130.10X01 / 80201
225.2430.10X01 / 80201
225.3030.10x01 / 80201

17



17.1

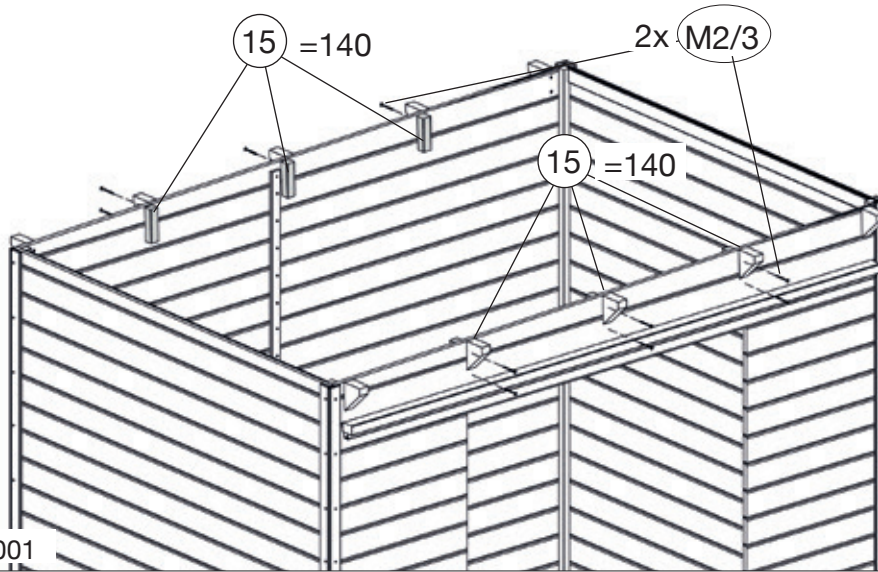


Abb.: 225.2130.10001

17.2

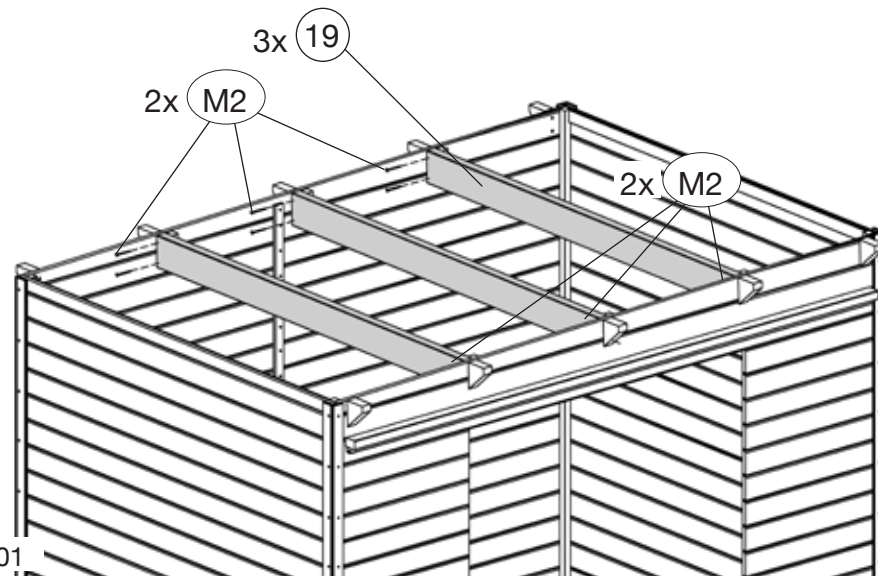


Abb.: 225.2130.10001

17.3

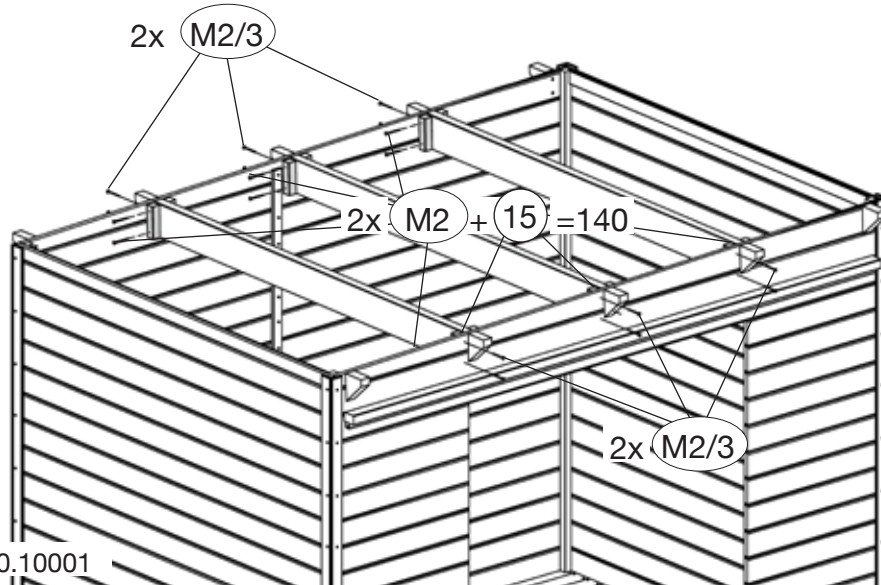


Abb.: 225.2130.10001

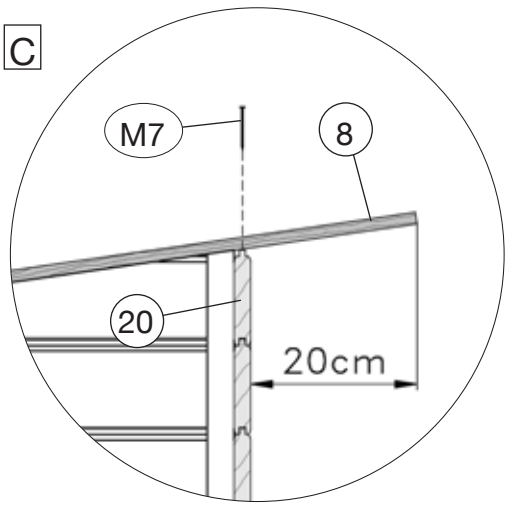
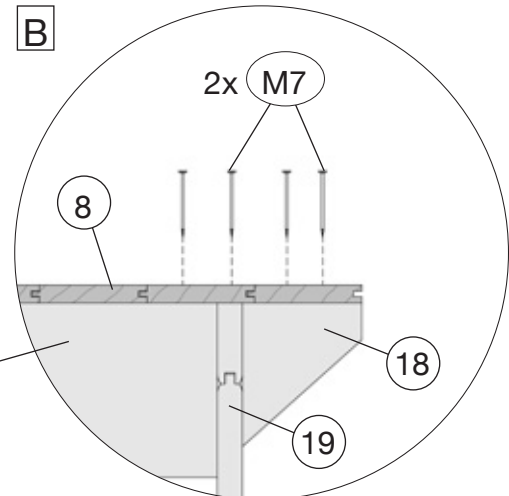
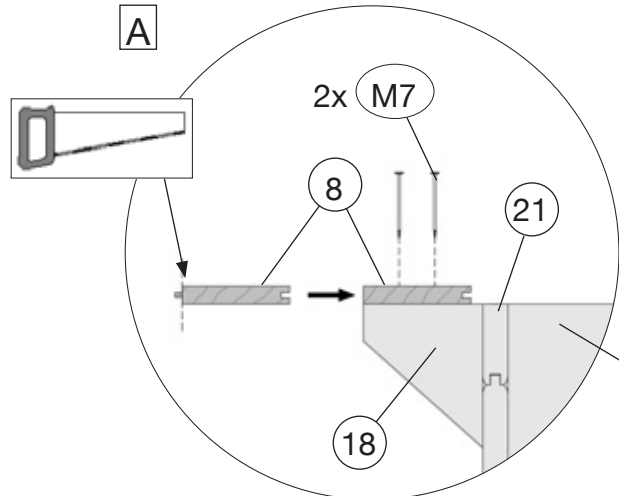
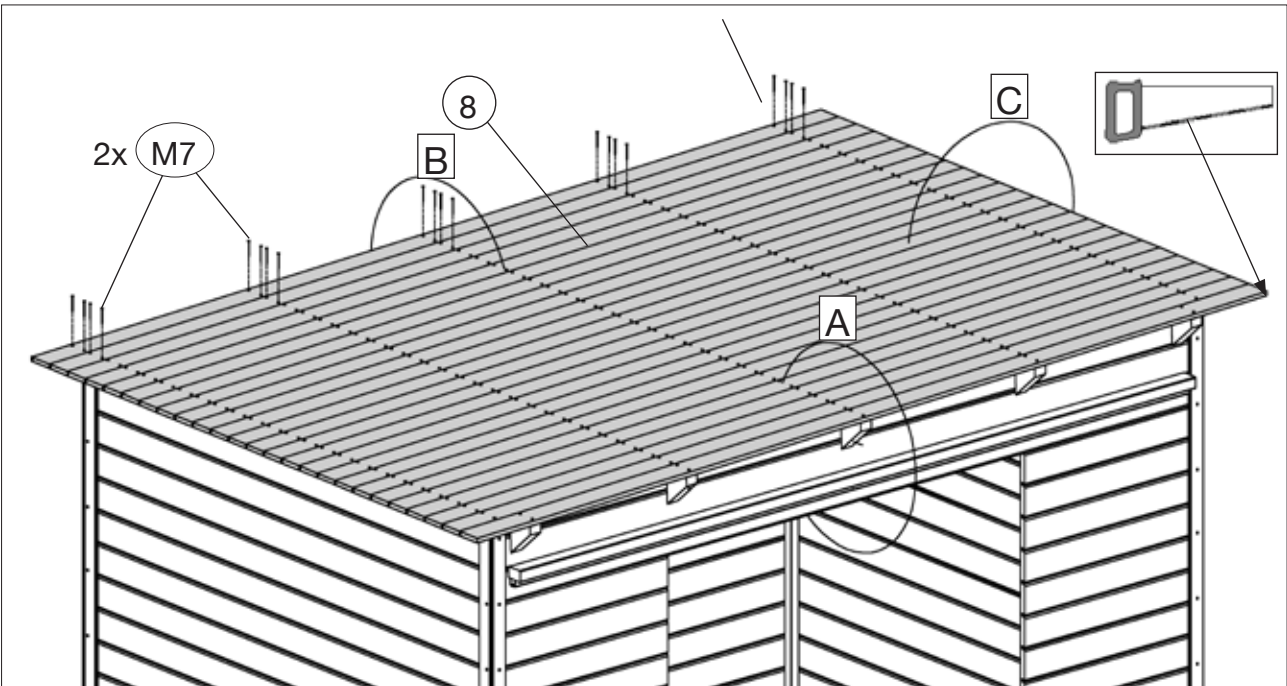
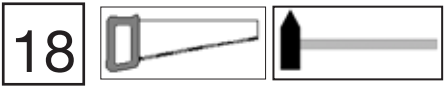
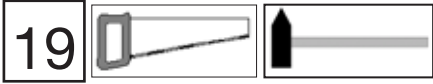


Abb.: 225.2130.10001



↓	M5 3,5 x 30

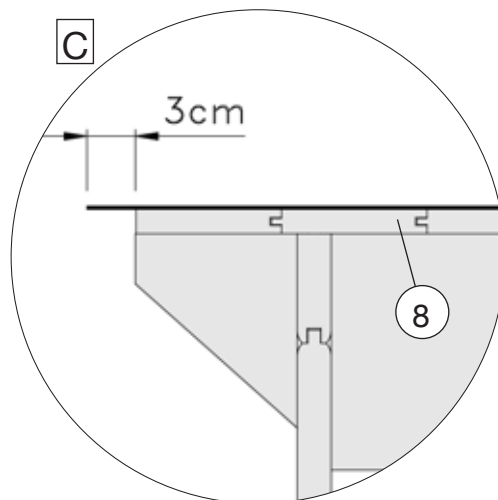
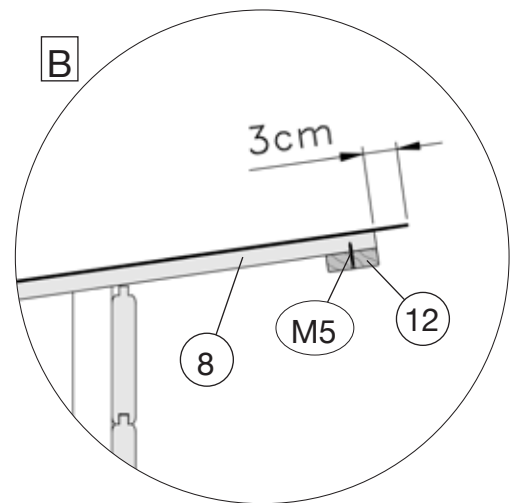
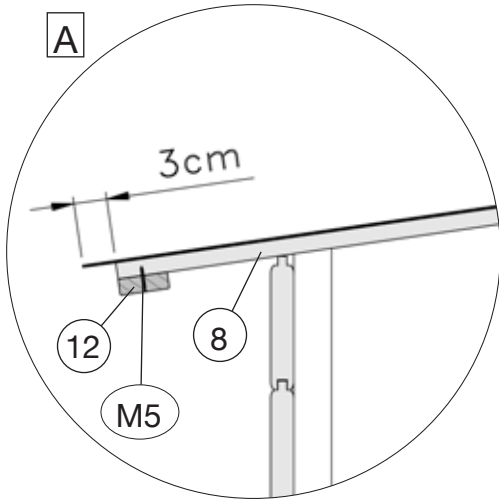
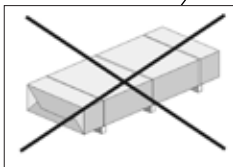
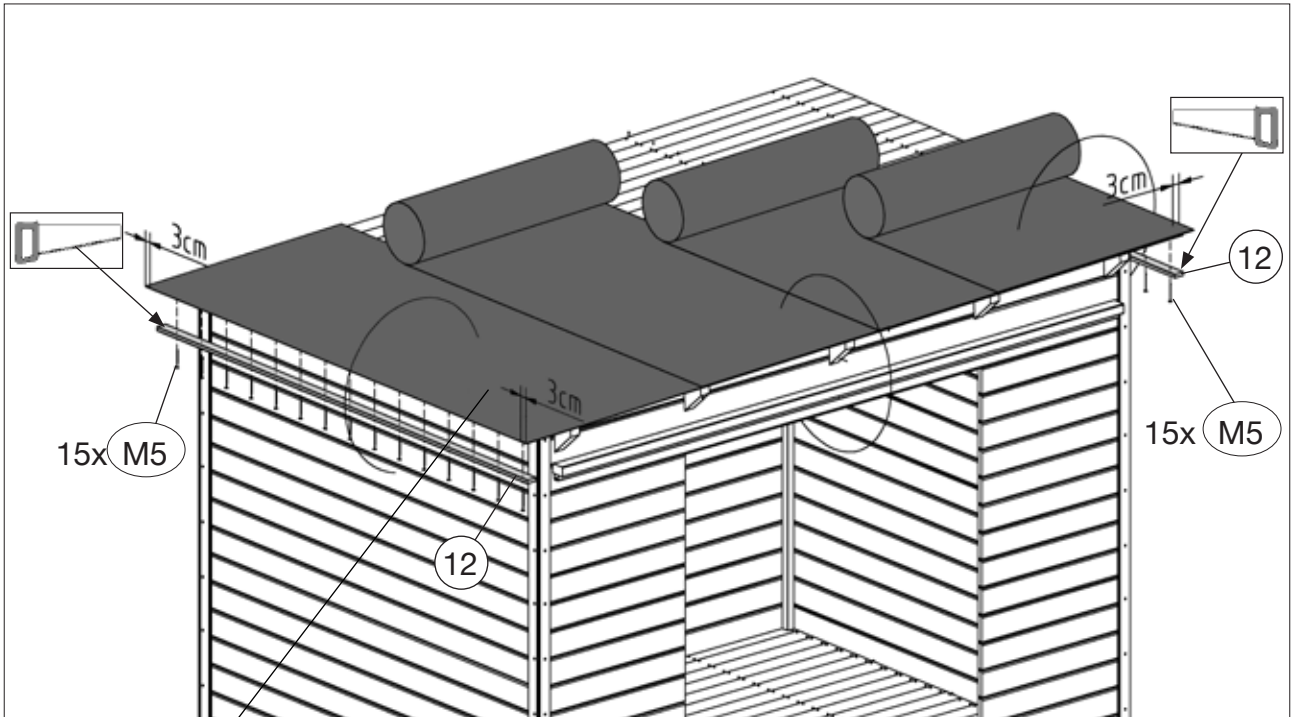
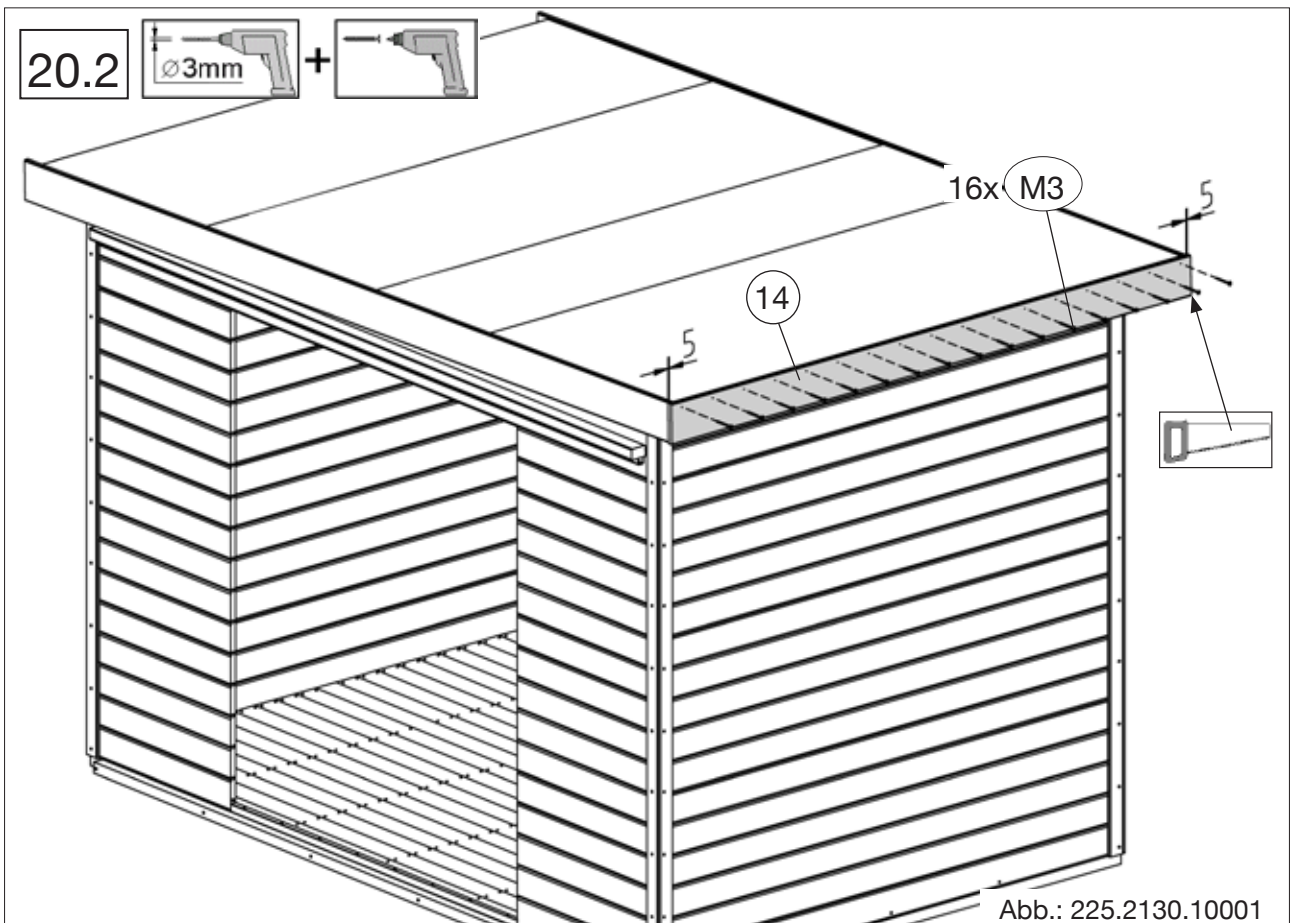
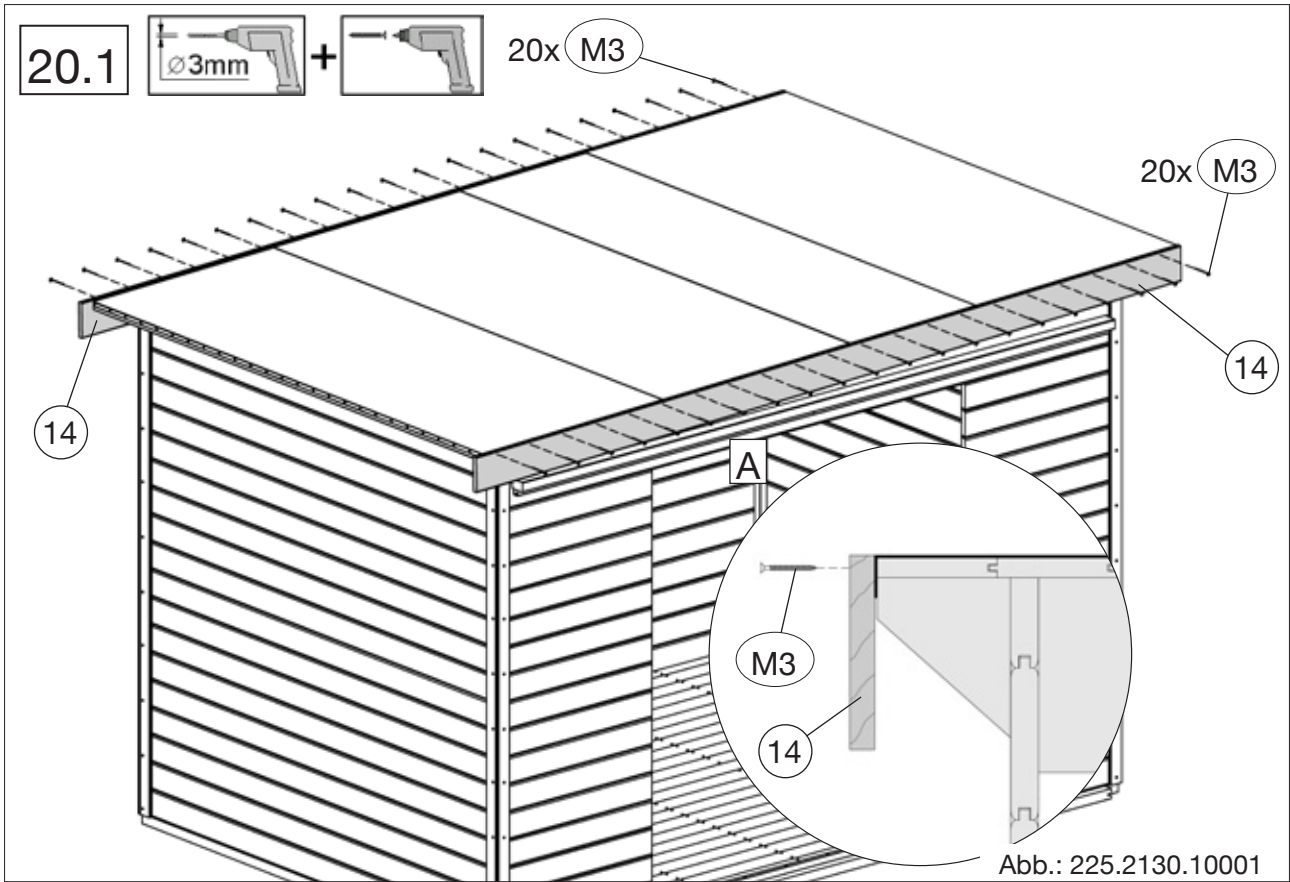
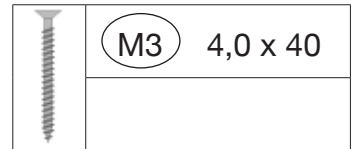
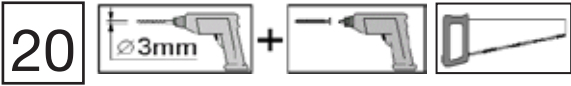
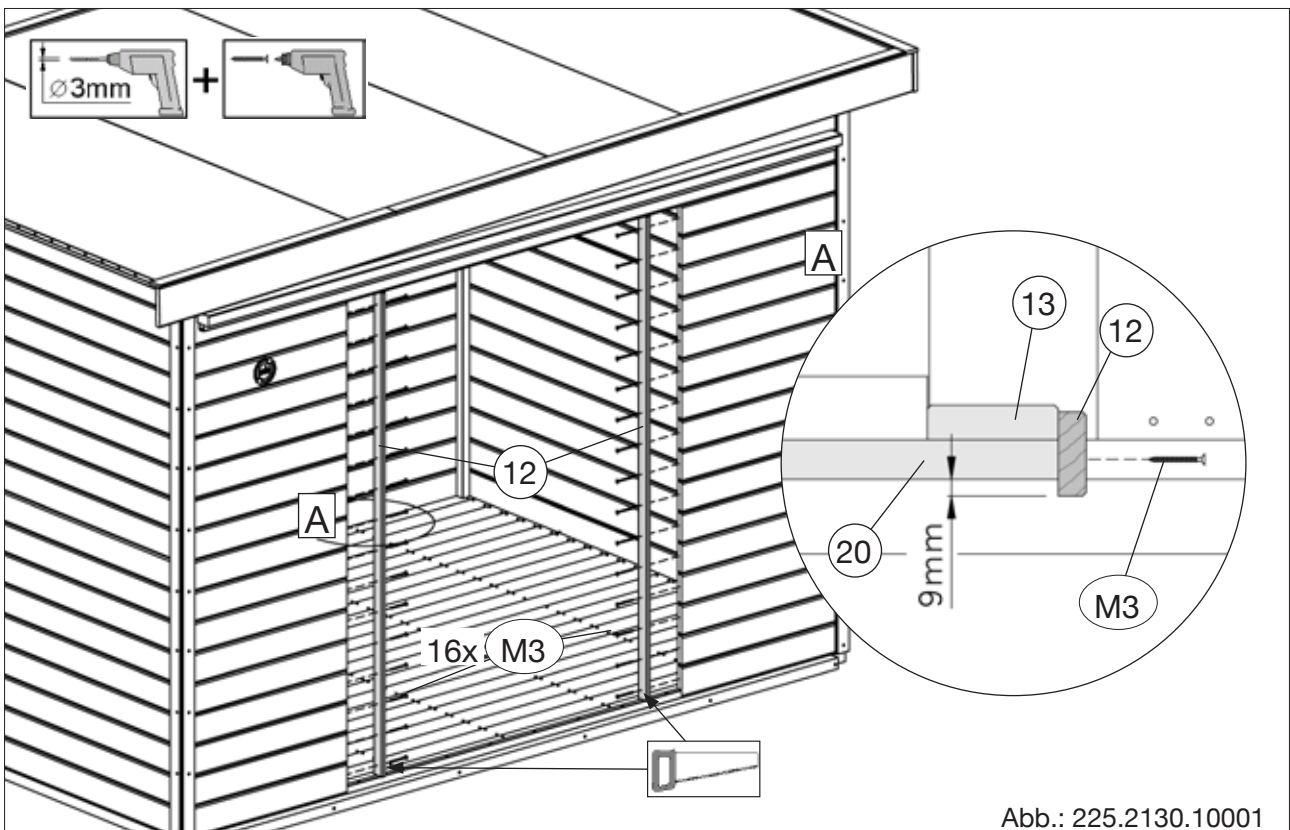
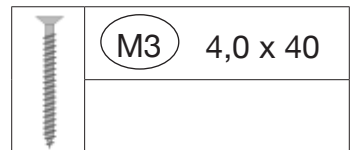
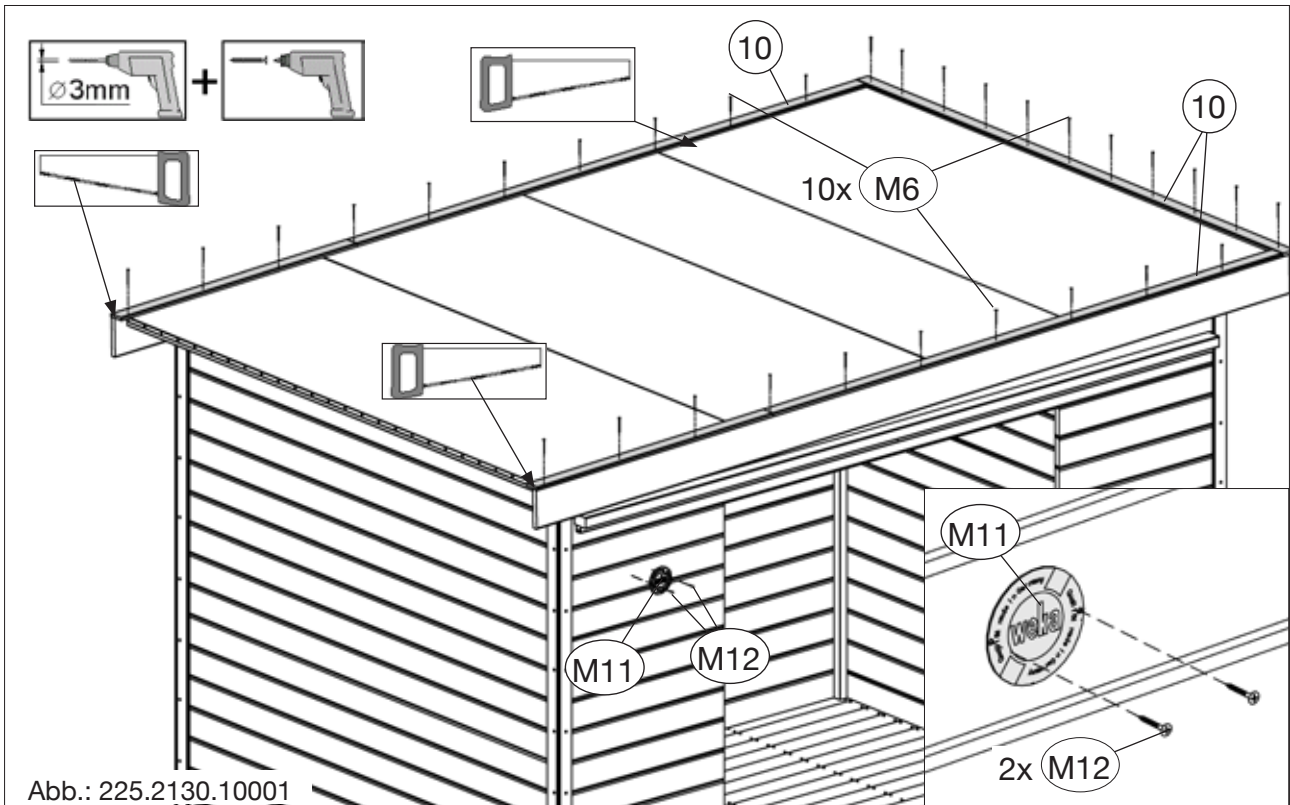
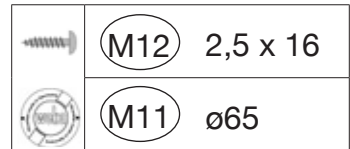
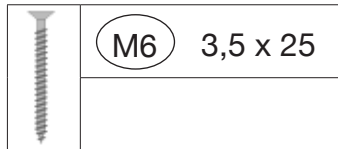
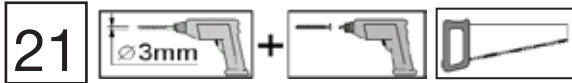
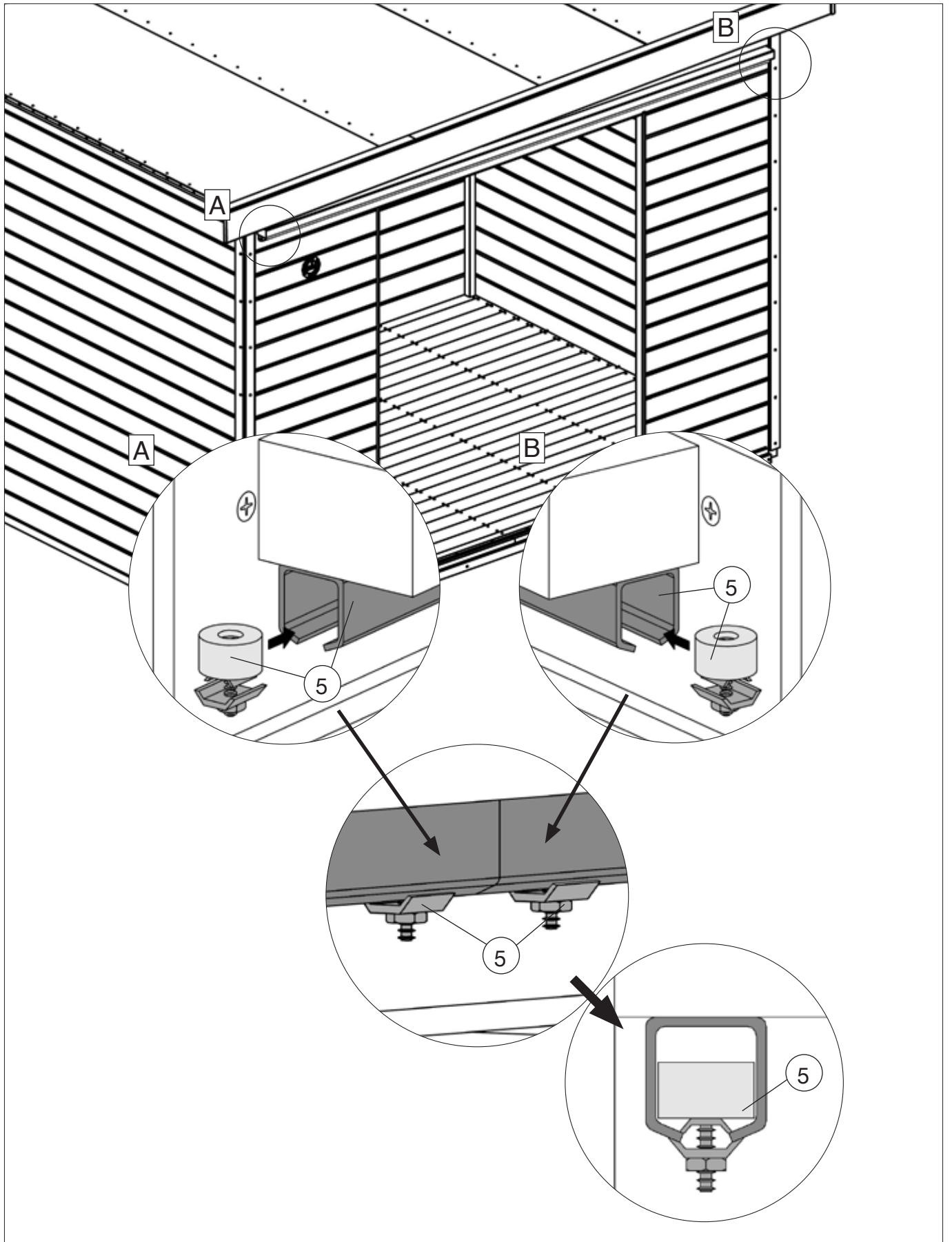



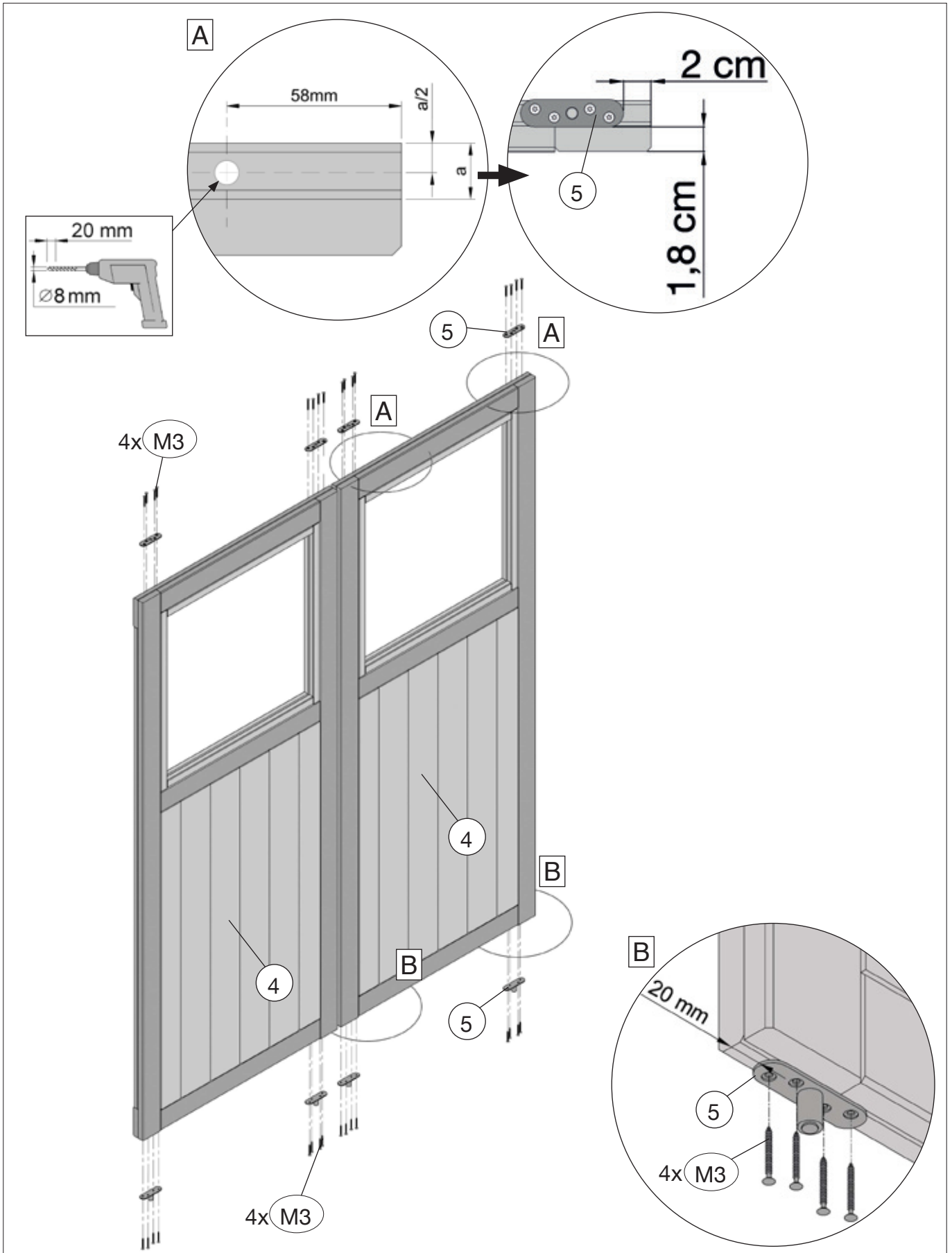
Abb.: 225.2130.1000



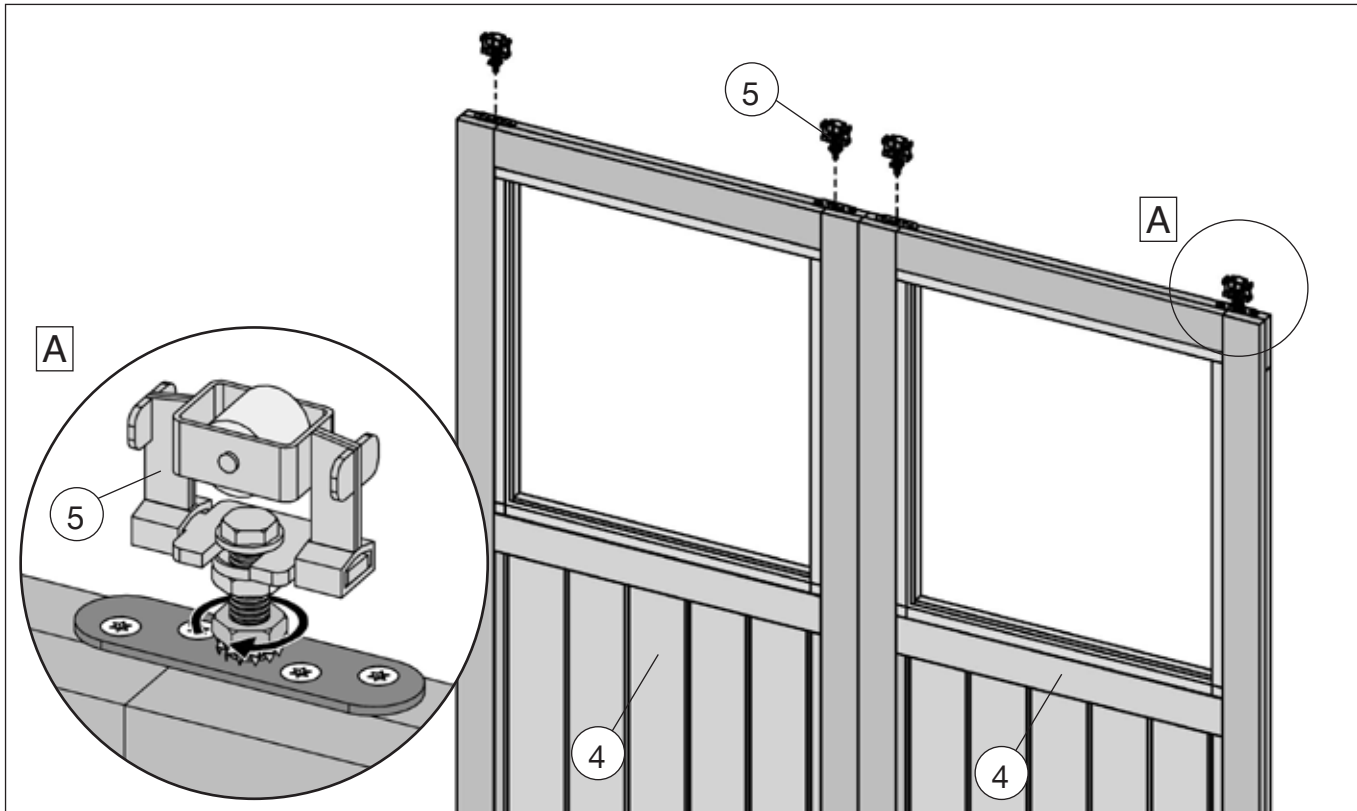




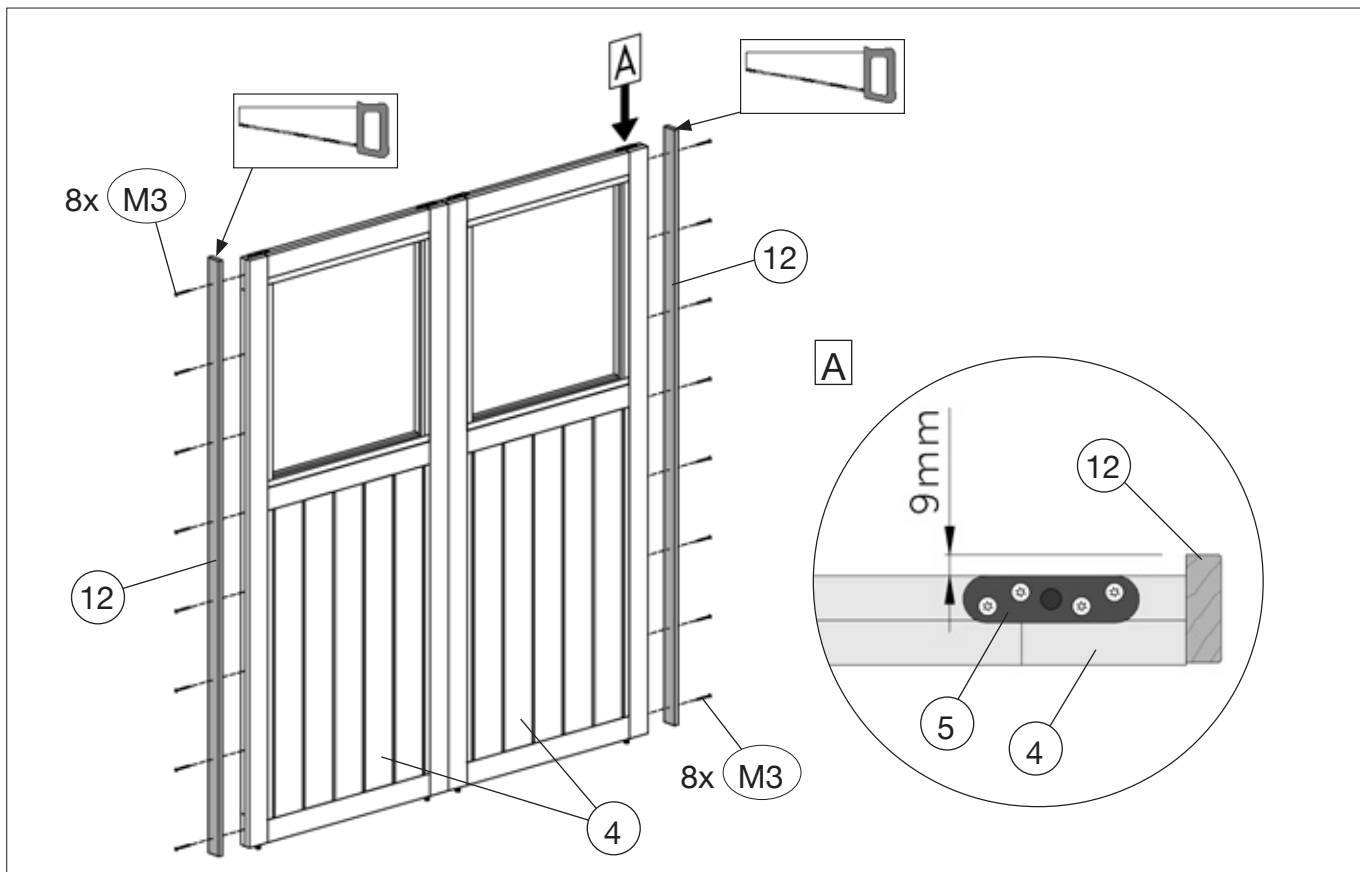
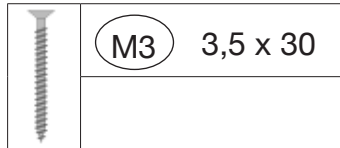
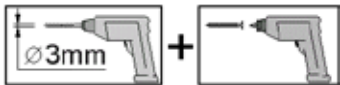
	M3 4,0 x 40

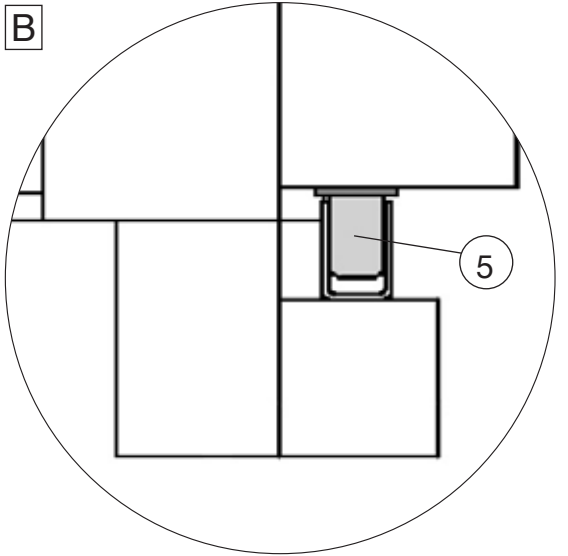
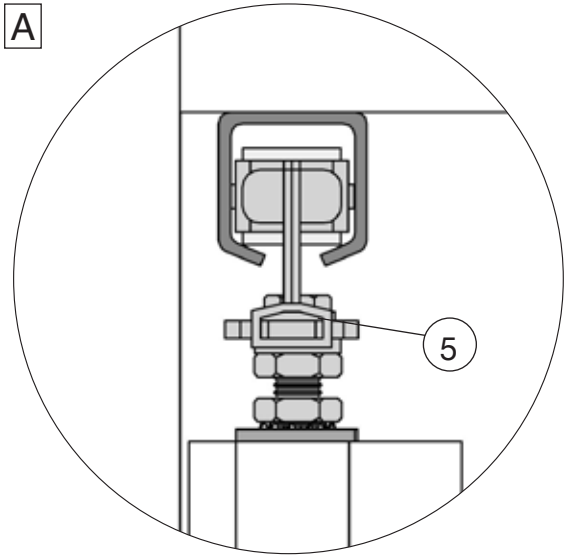
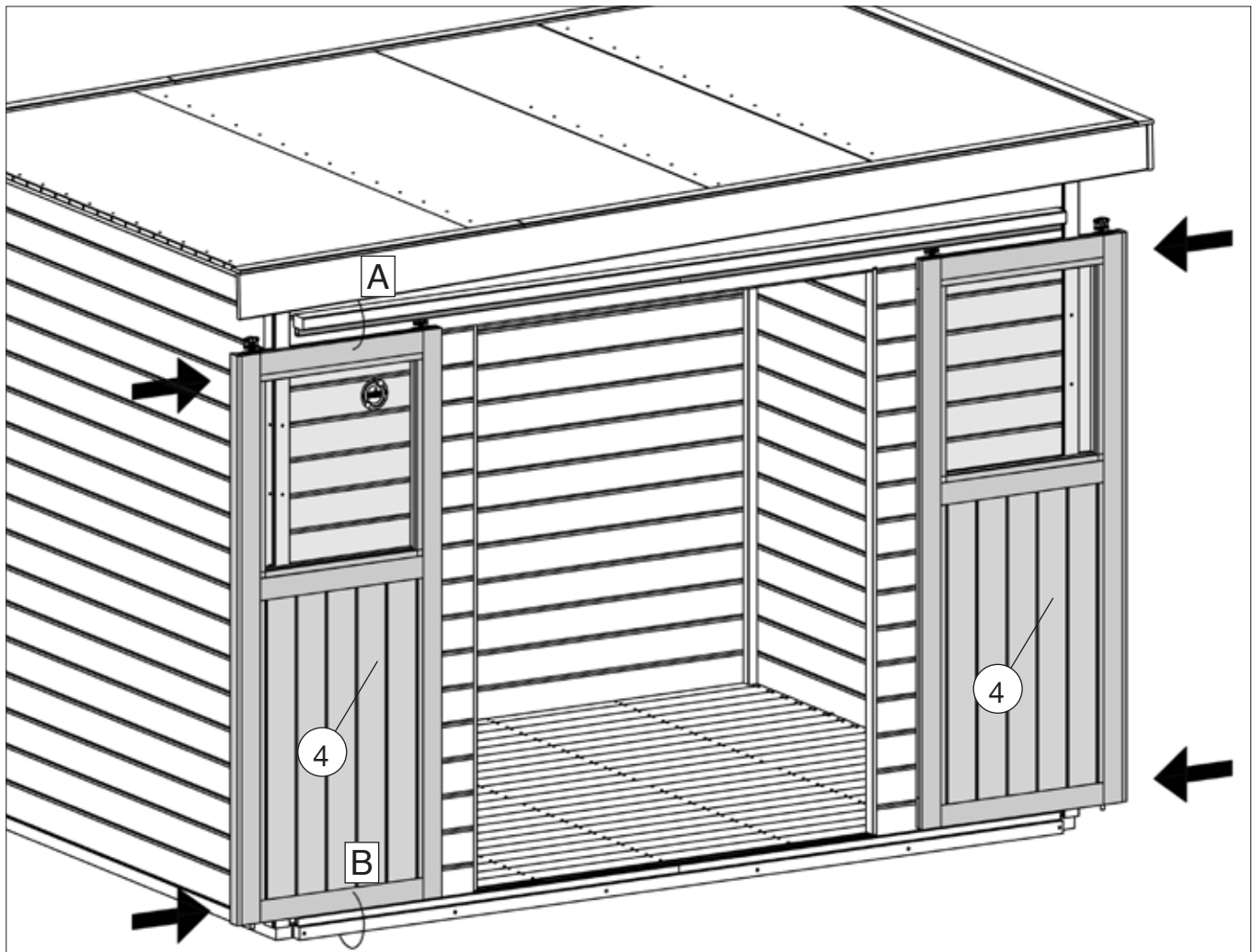


25

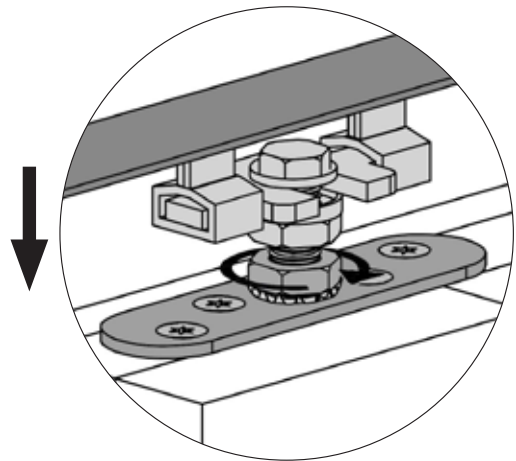
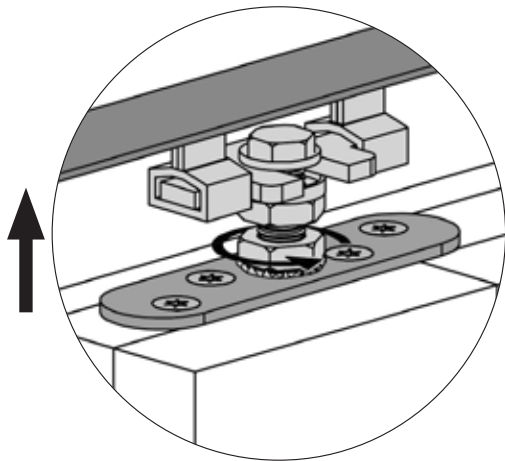



26




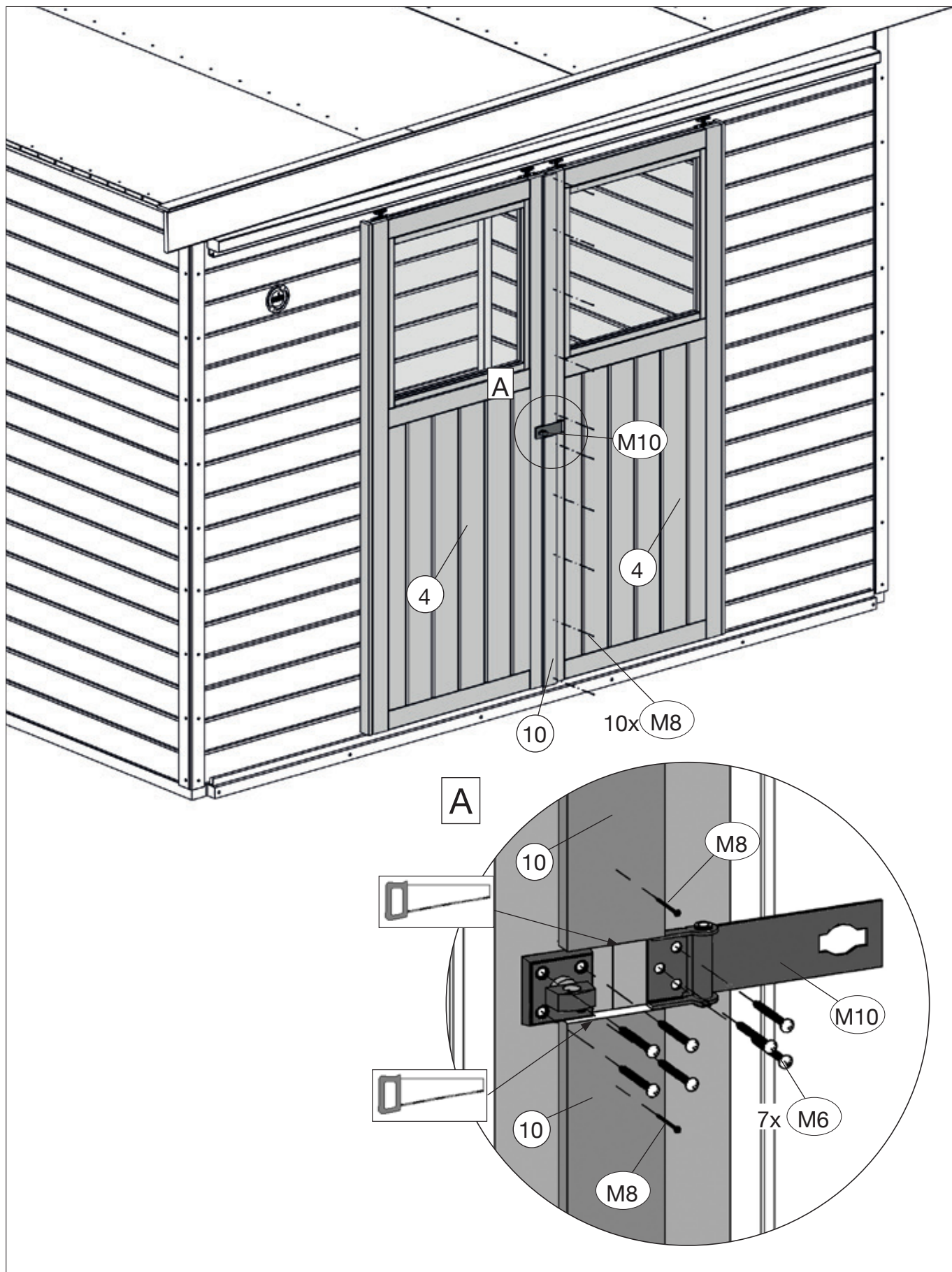


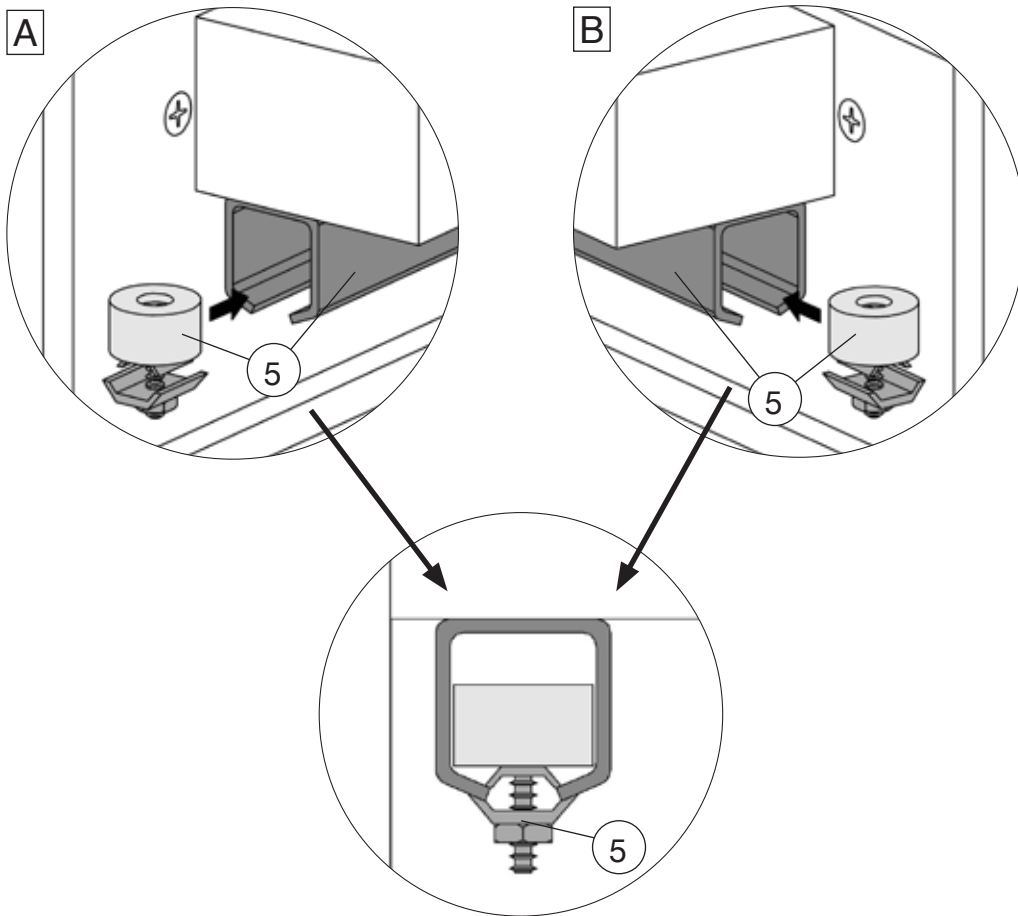
28 Nachstellen/Justieren der Türflügel

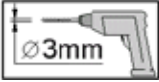

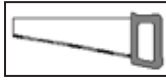



	M8 1,6 x 30

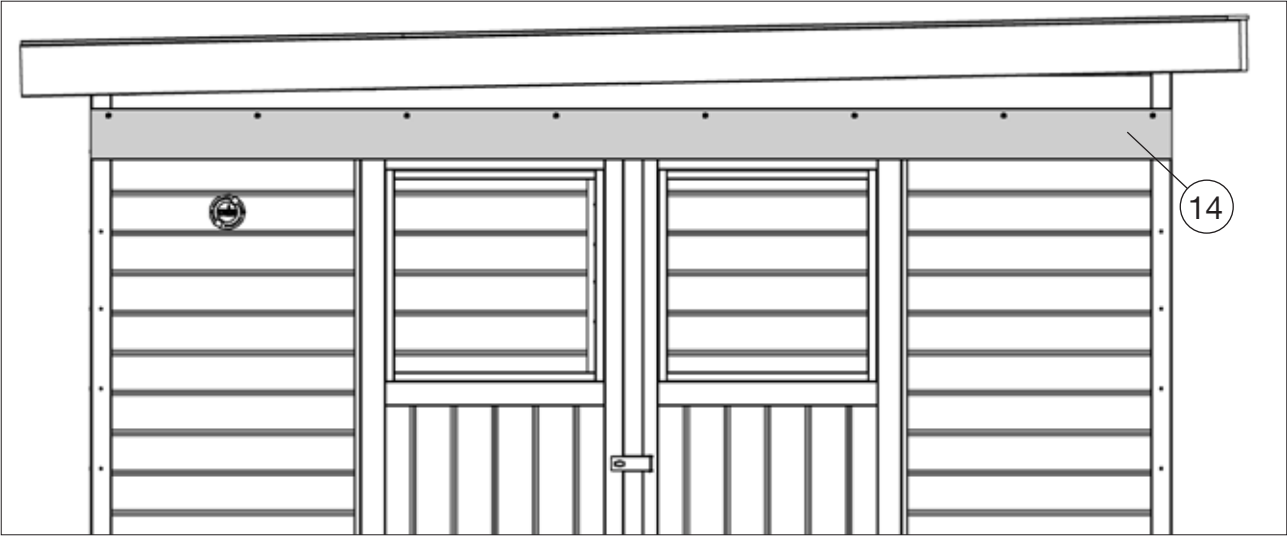
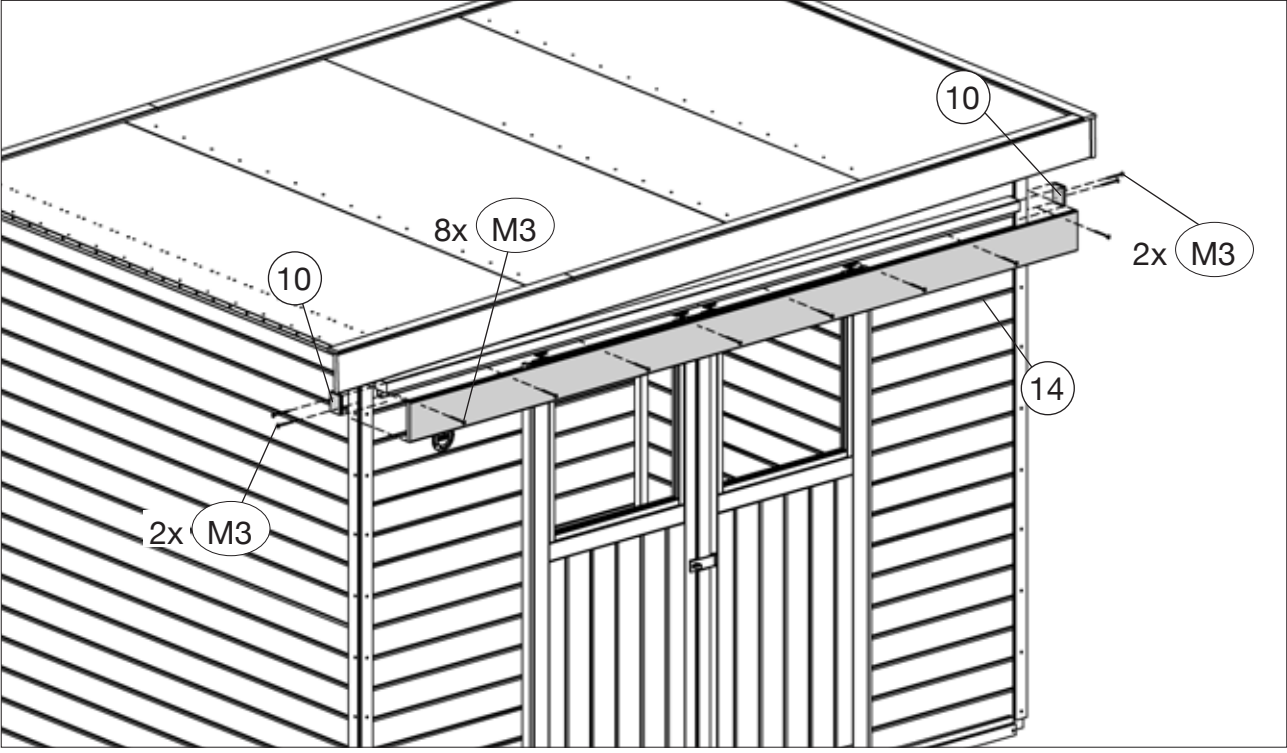
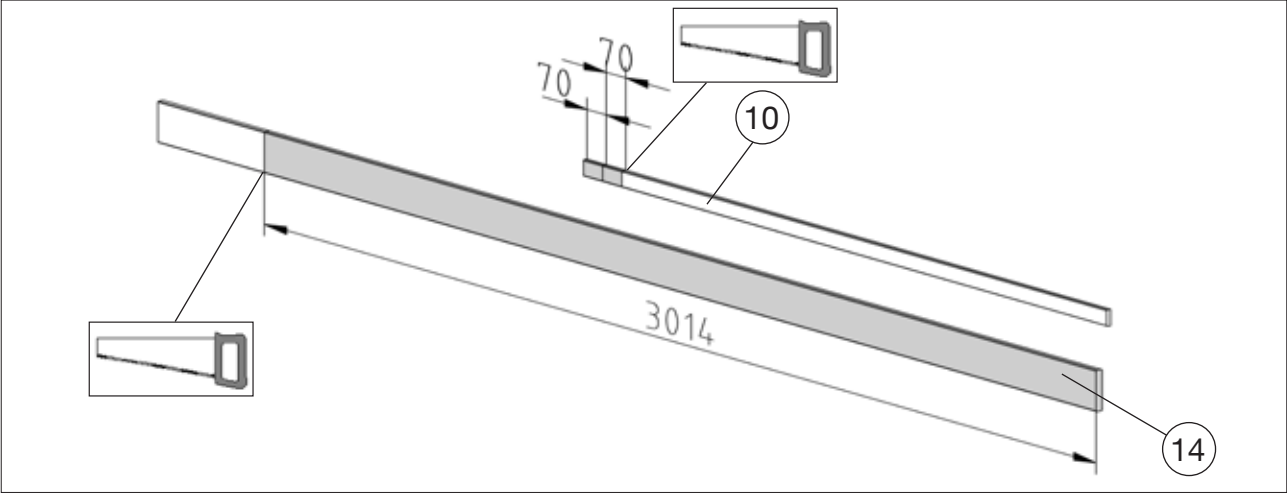
	M6 3,5 x 25
	M10





31  +  

	M3 4,0 x 40
---	-------------



www.weka-holzbau.com



WEKA Holzbau GmbH

Johannesstr. 16, 17034 Neubrandenburg

Tel.: +49 (0)395 42908-0

Fax: +49 (0)395 42908-83

Mail: info@weka-holzbau.com

Web: www.weka-holzbau.com

MA Art.-Nr.: 800.0286.17.67