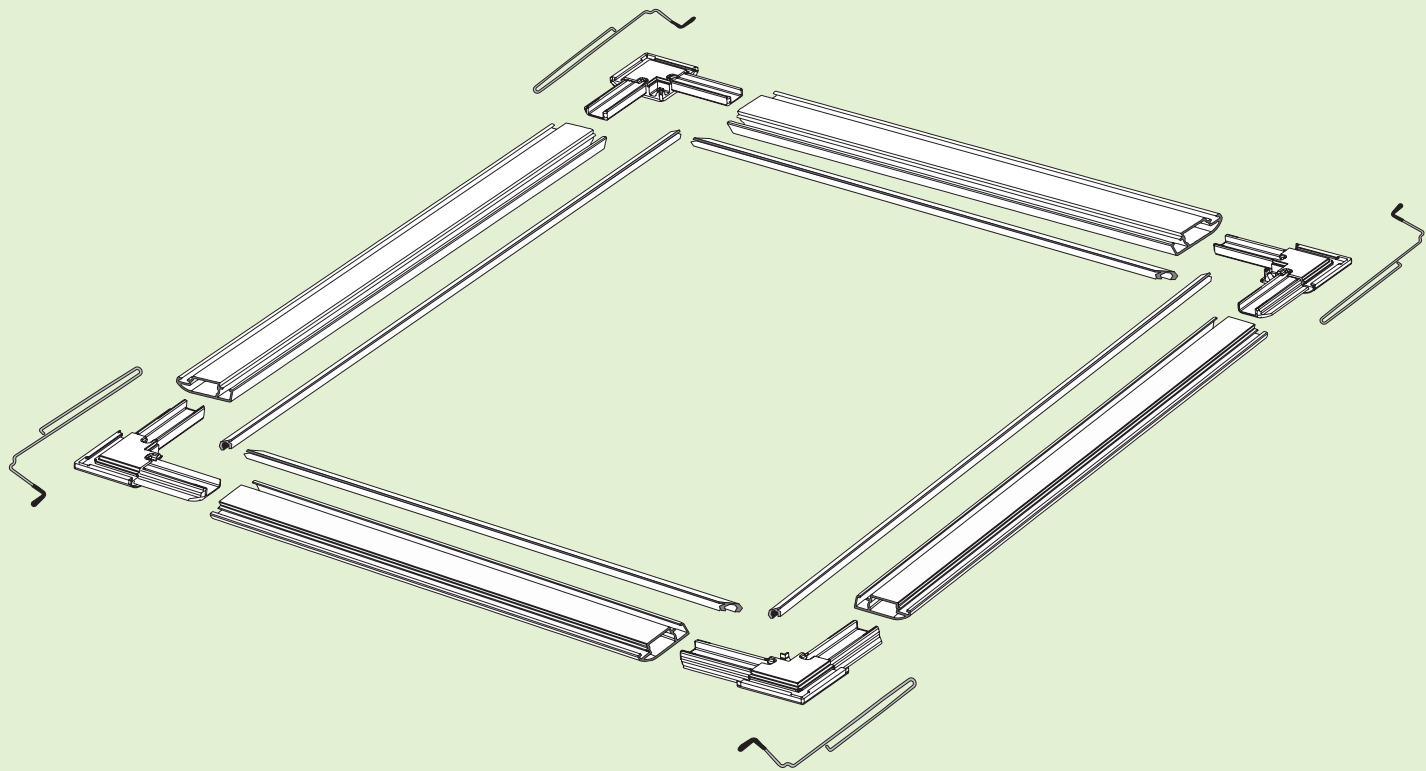
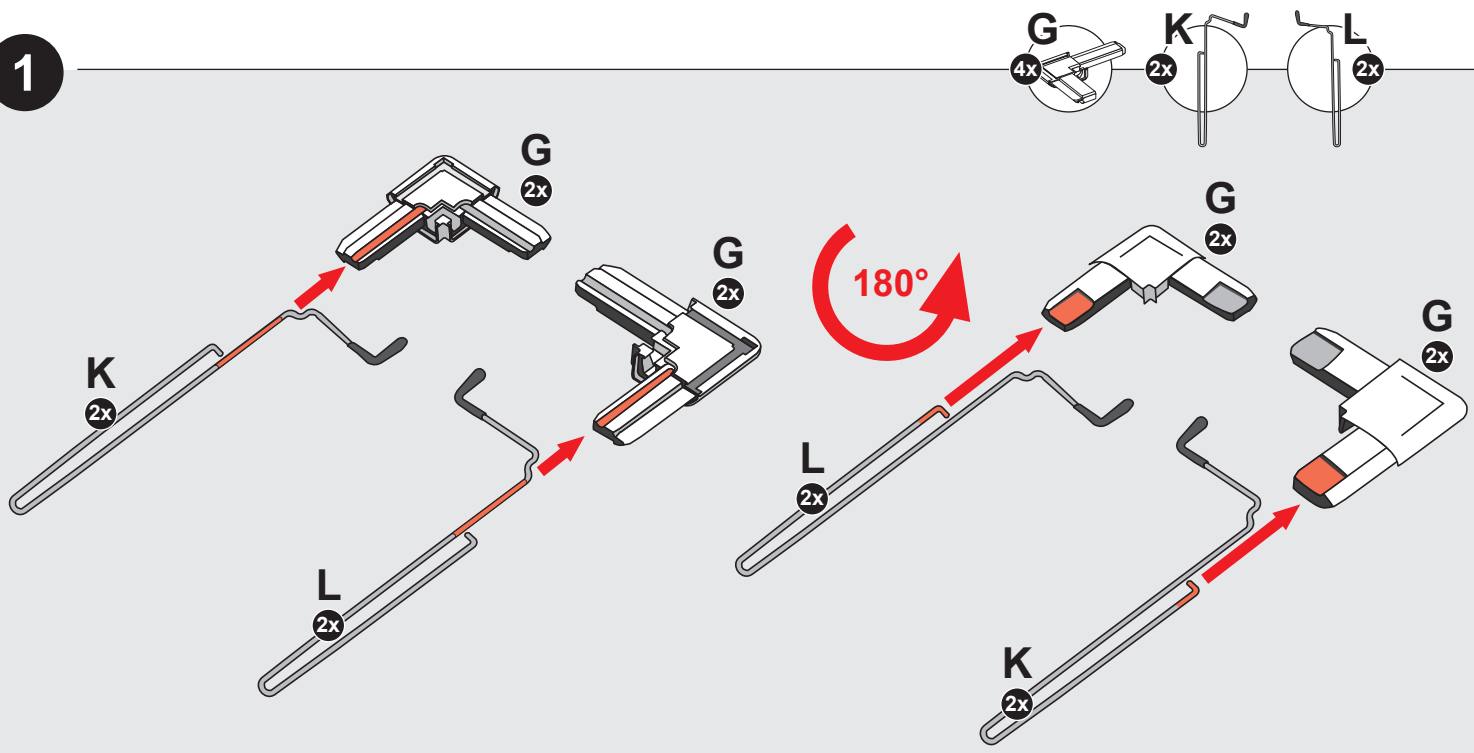


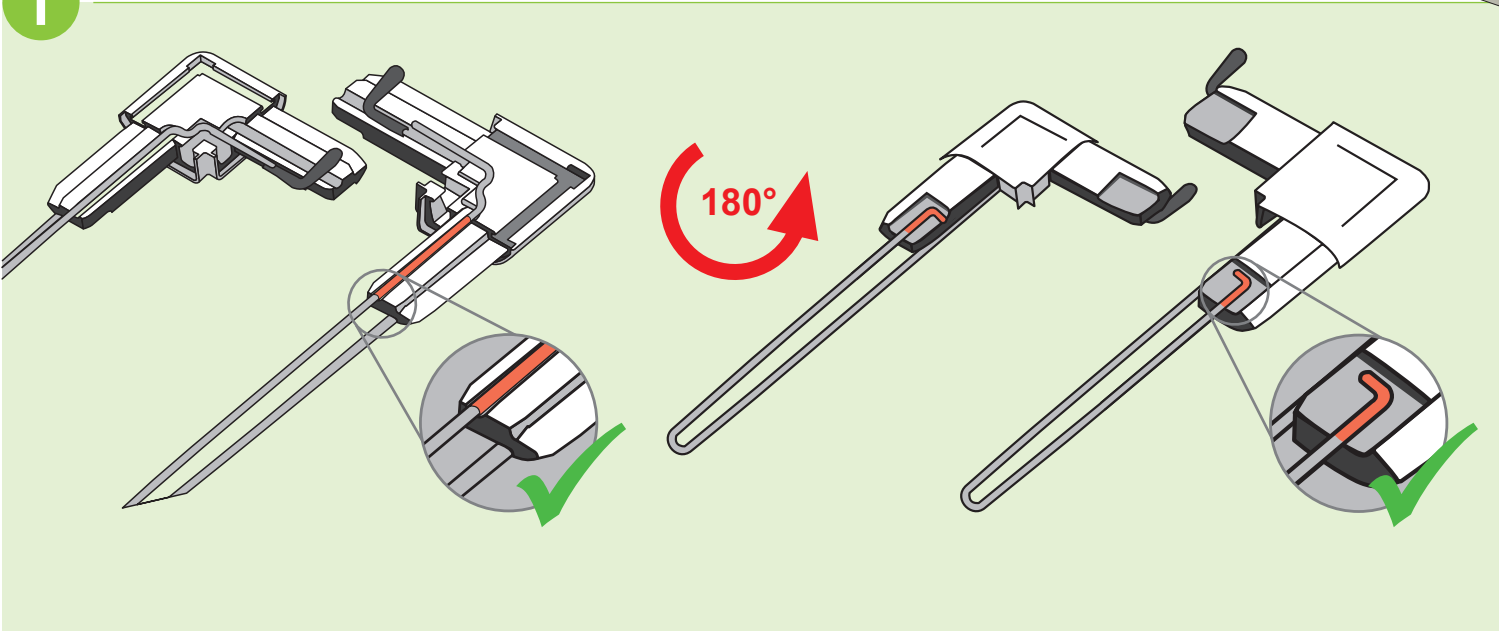
i



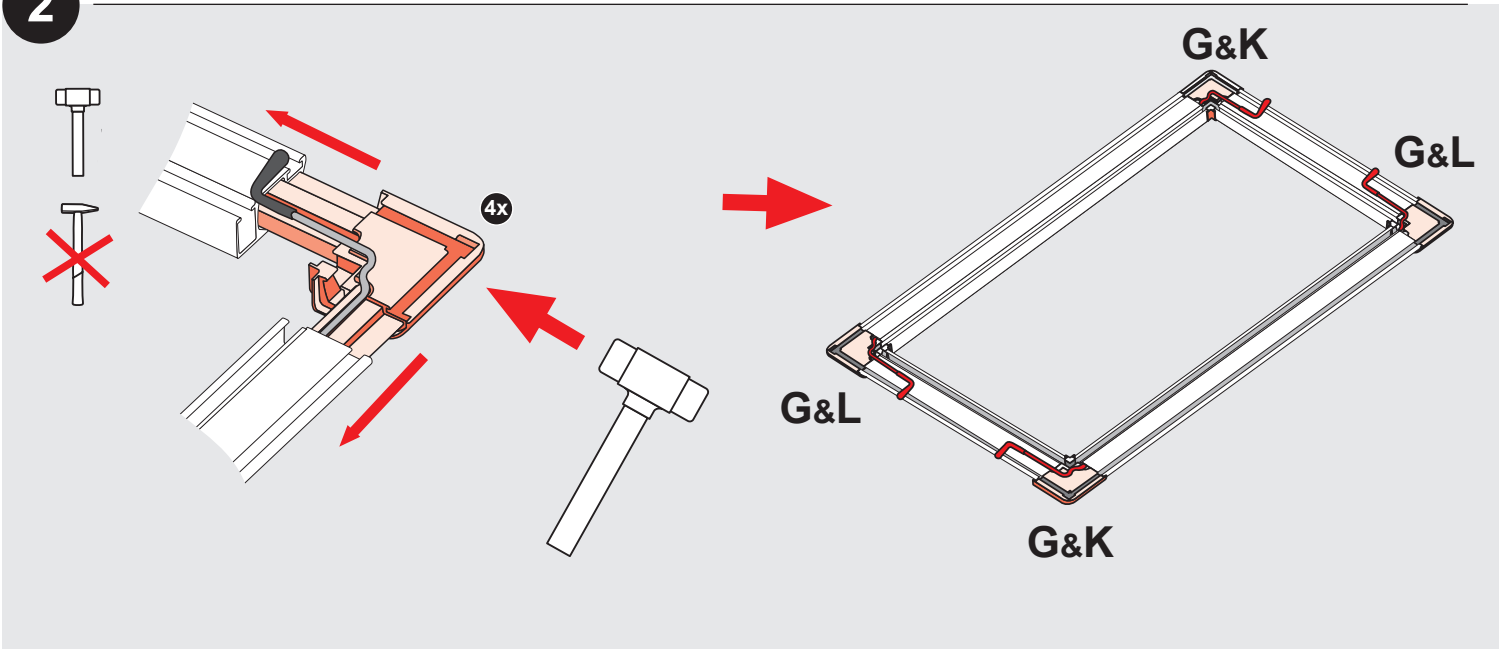
1



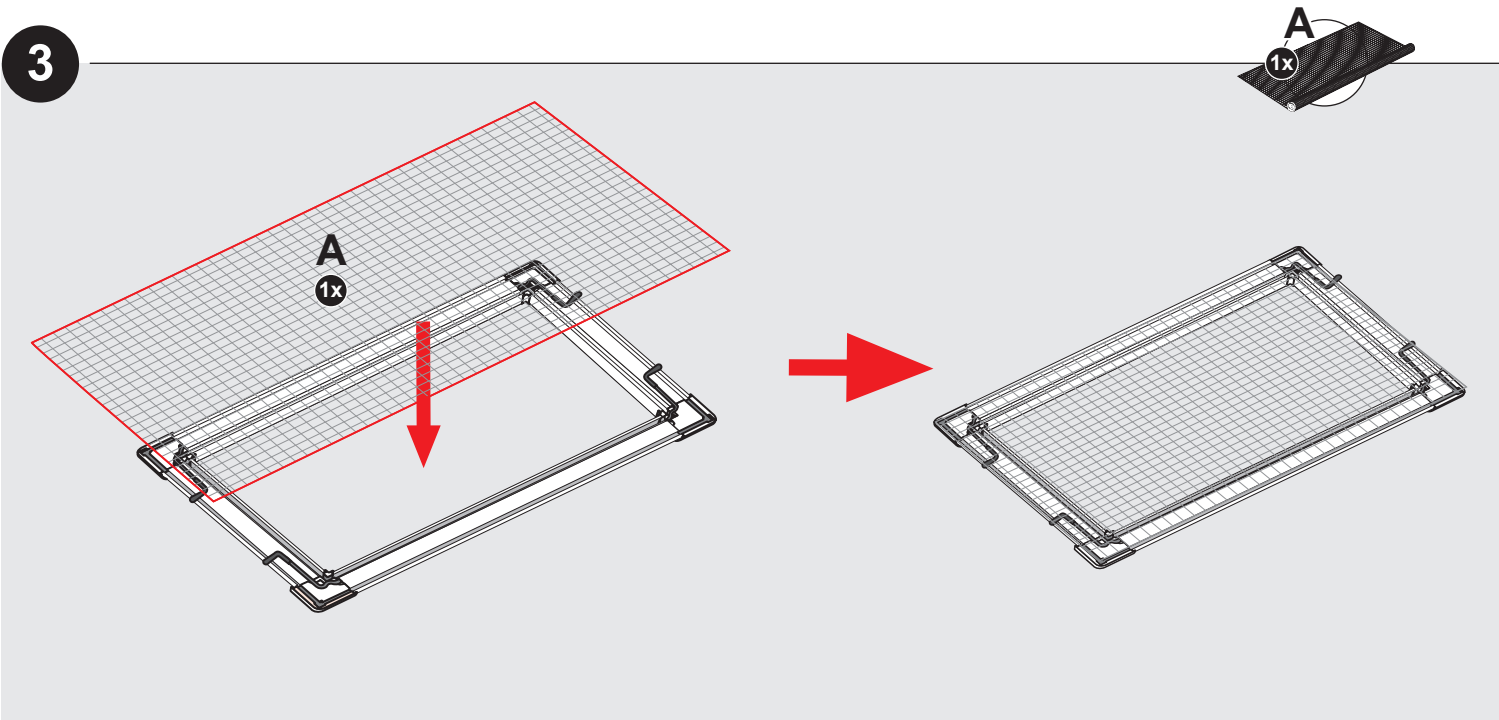
i



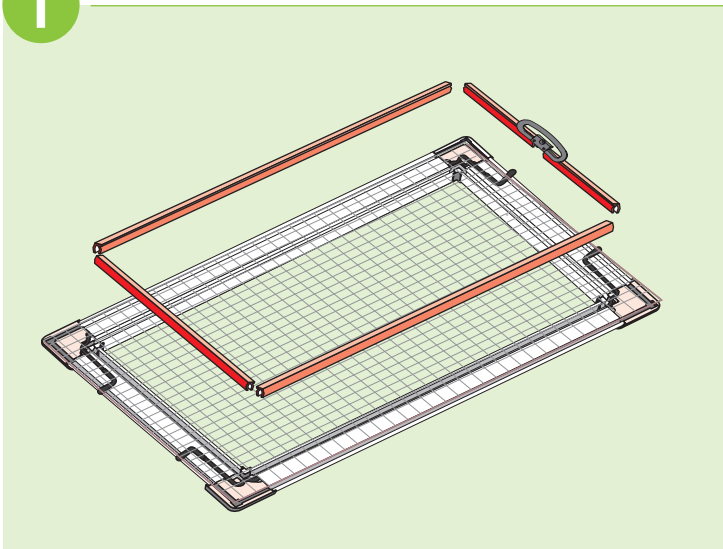
2



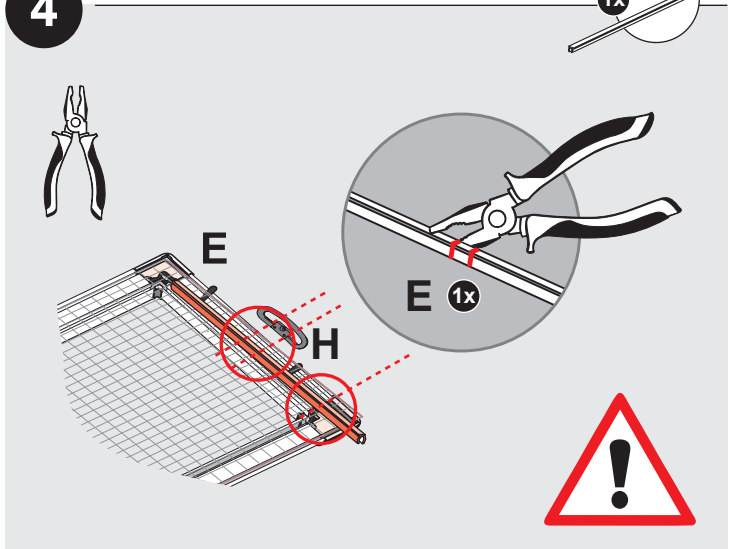
3



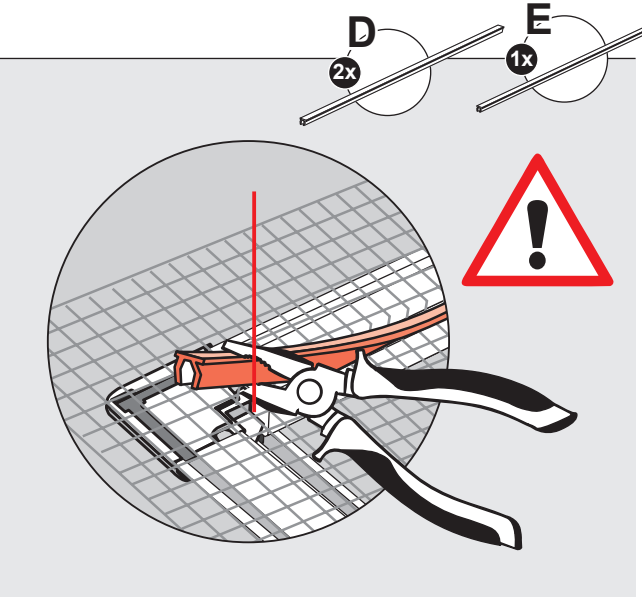
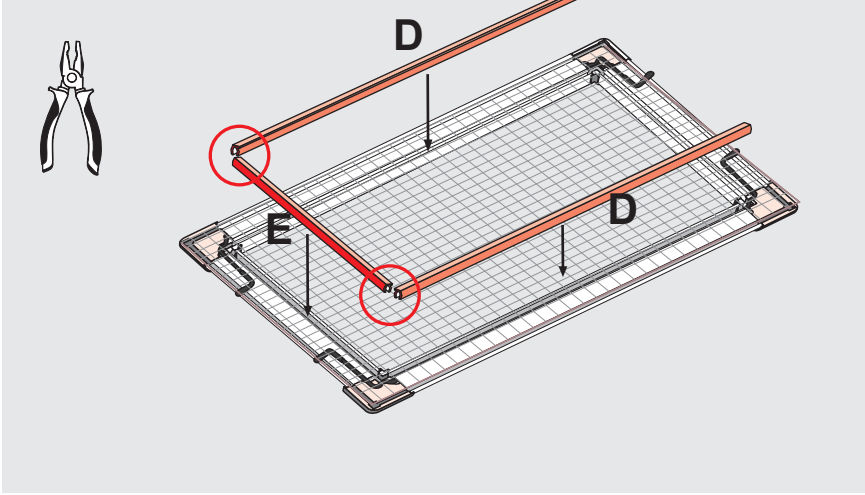
i



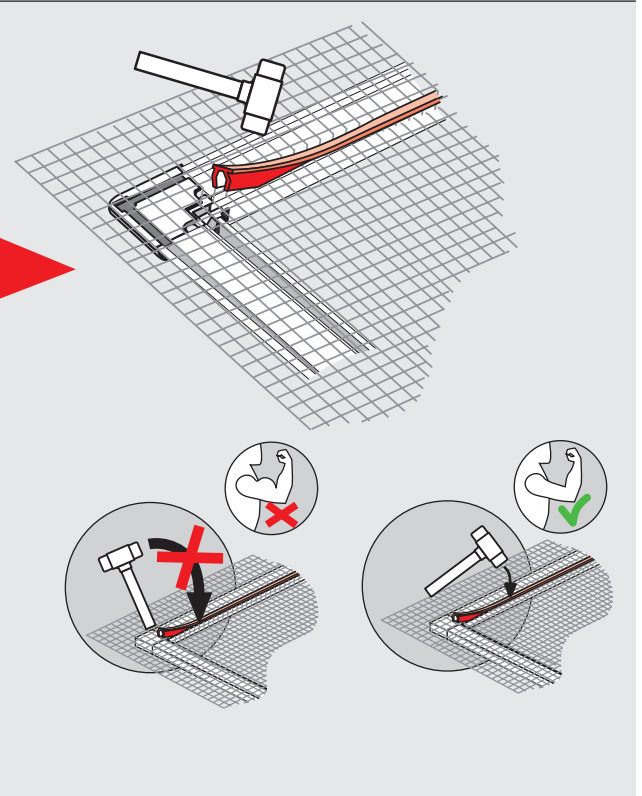
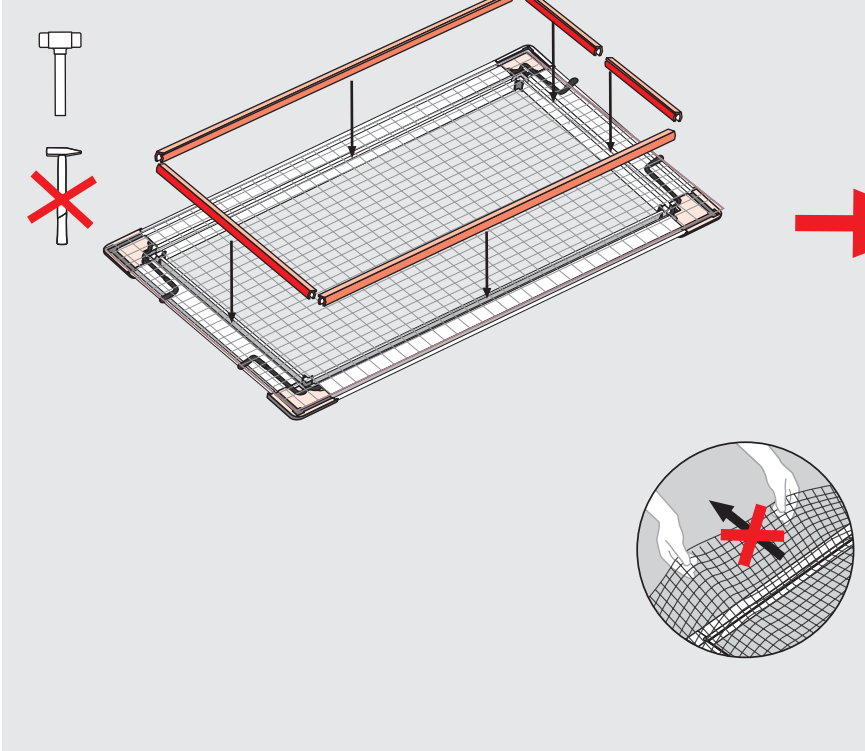
4




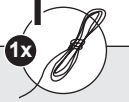
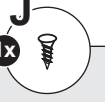
5

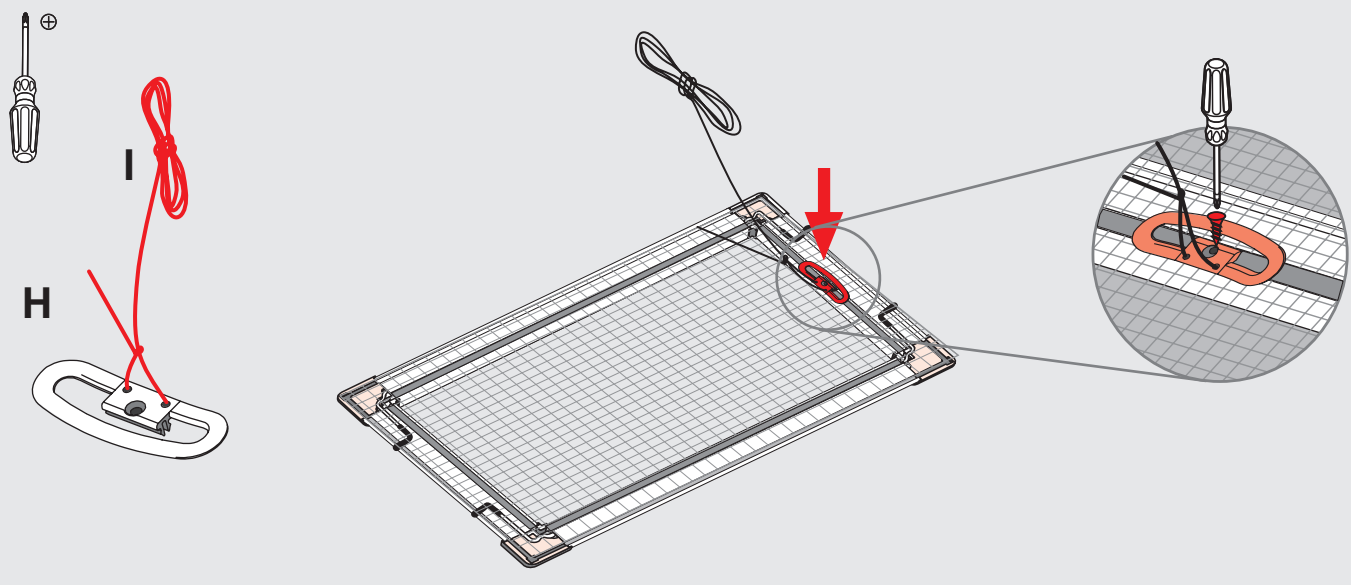


6

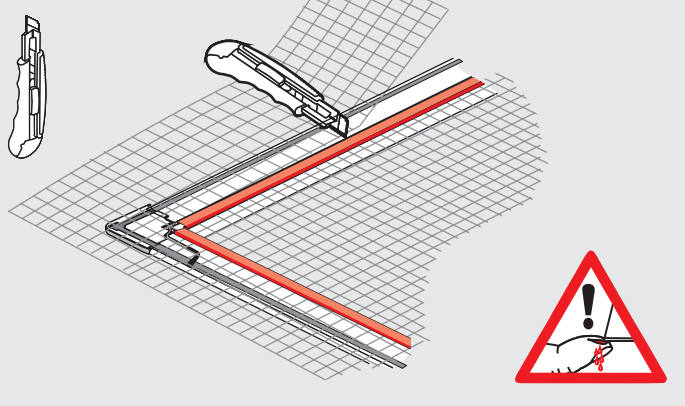


7

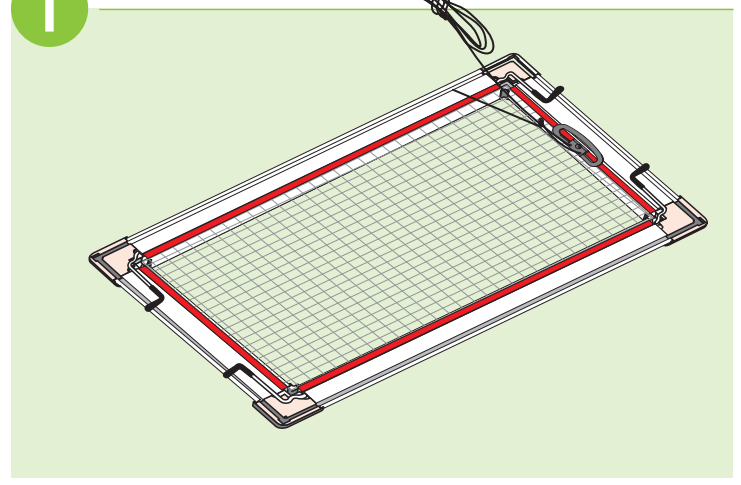
- H  1x
- I  1x
- J  1x





8

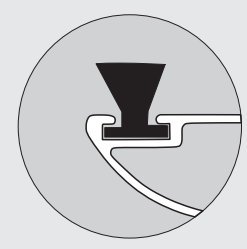
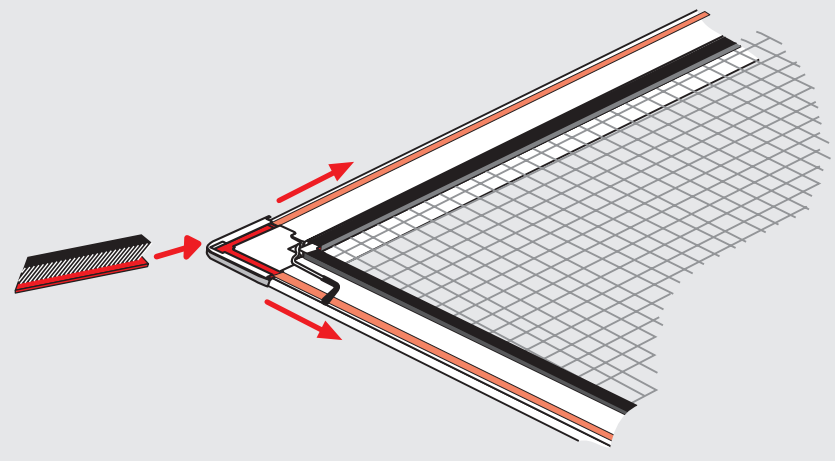


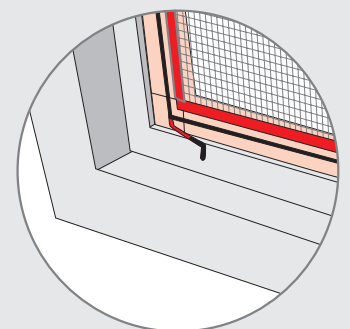
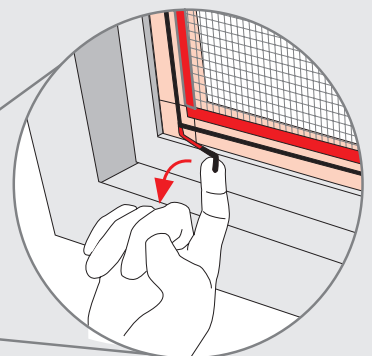
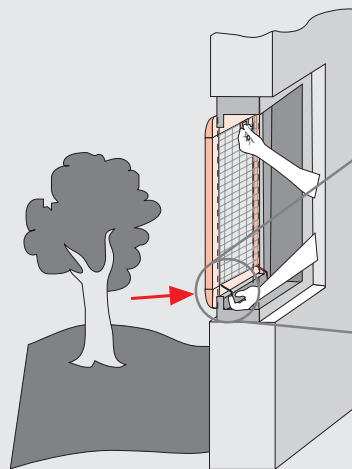
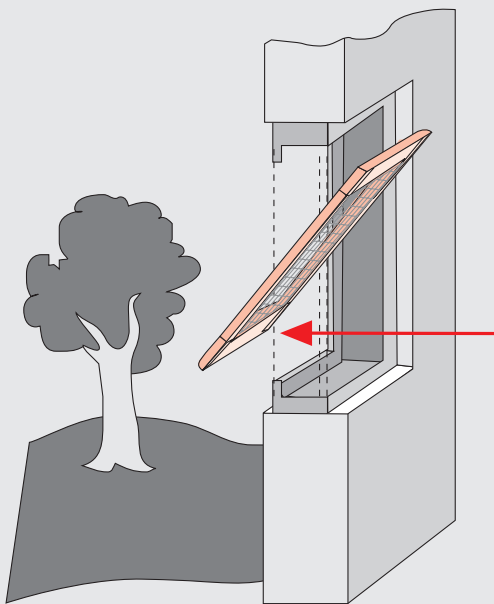
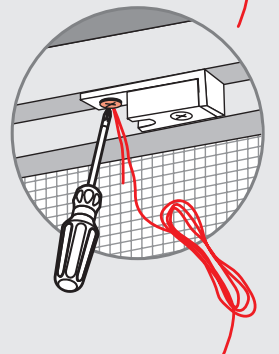
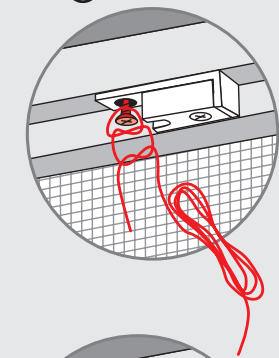
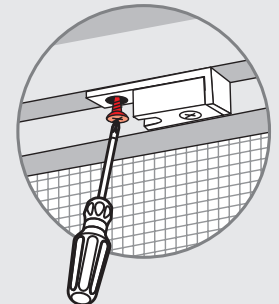
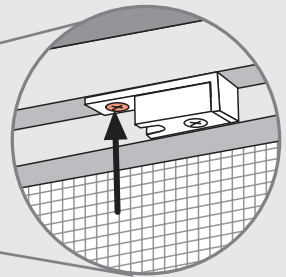
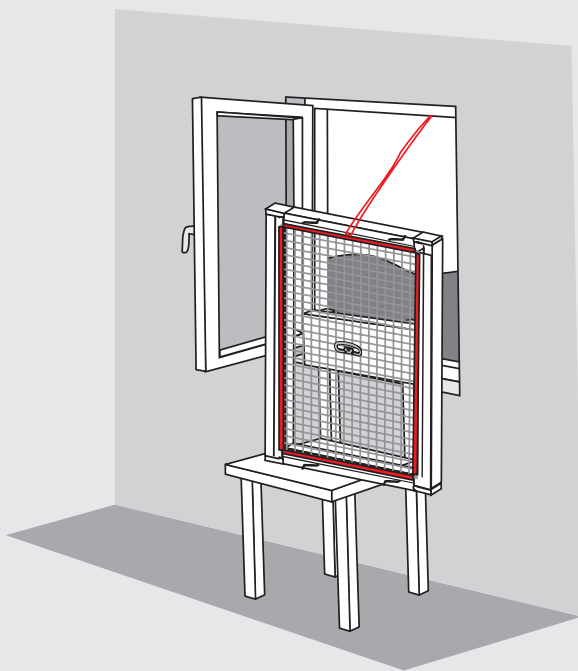
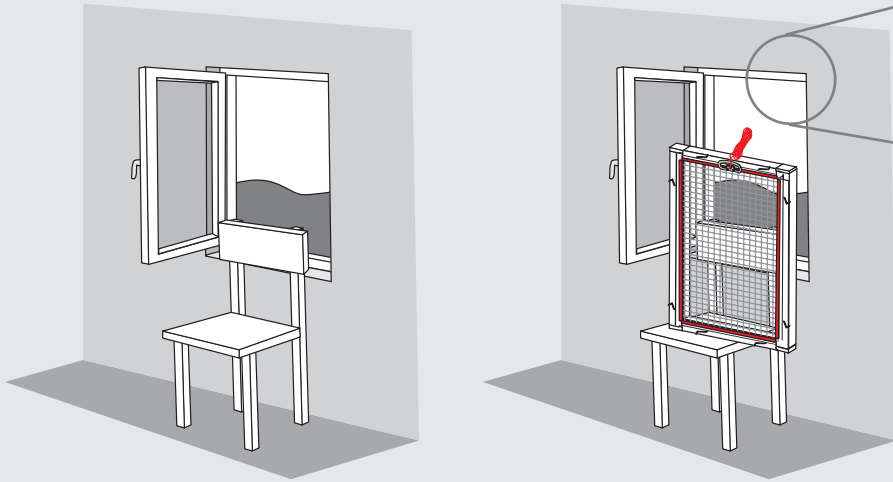
i

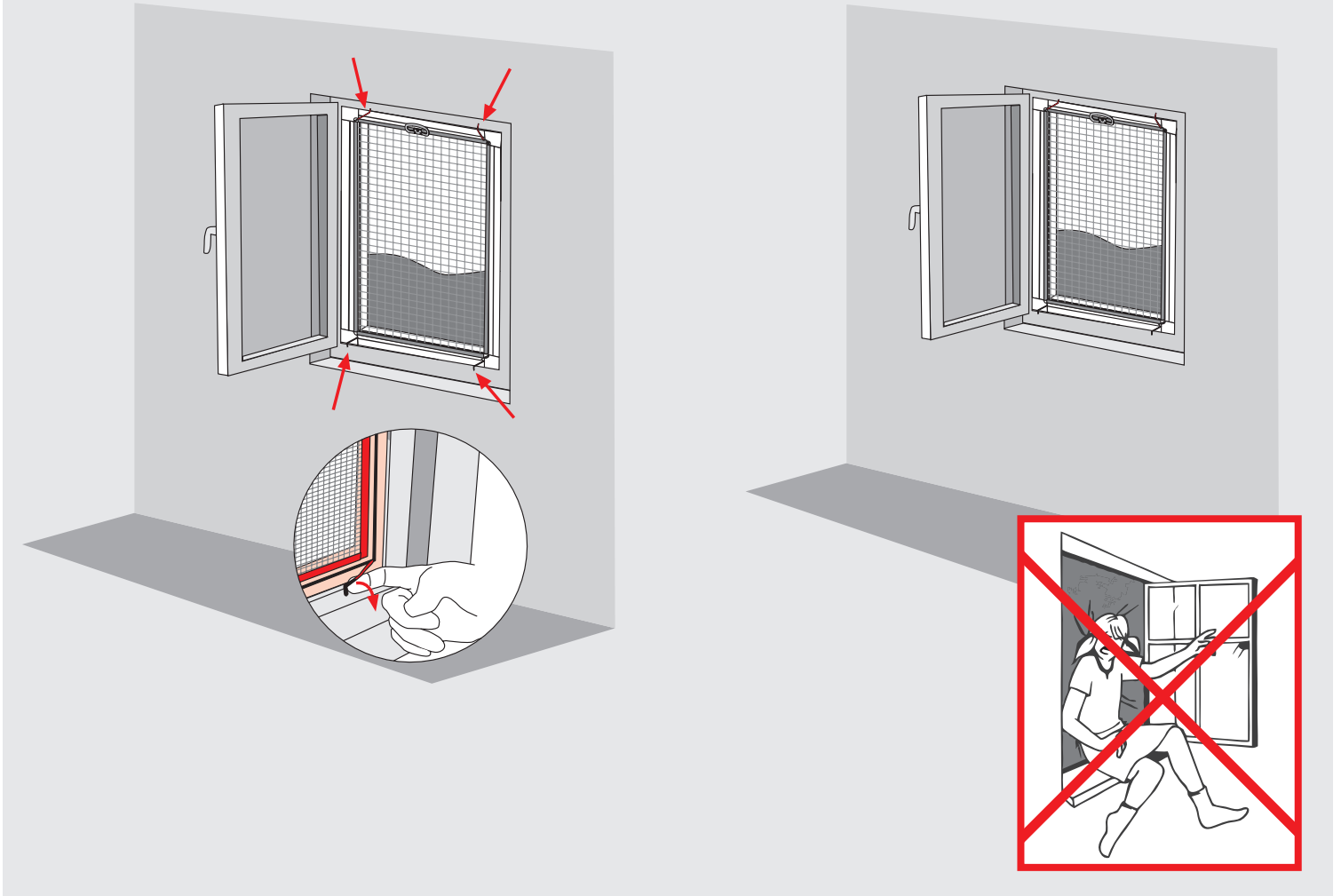


9

- F  1x
- 







i

The diagram shows a flow of information. On the left, a stick figure with question marks above its head represents a user with a question. Two arrows point from the figure to a desktop monitor and a laptop, with the text **www.hornbach.de** below them. A second arrow points from the laptop to a smartphone and another smartphone, with a QR code next to them. A final arrow points from the smartphone area to a green circle containing an 'i' and a green play button icon, representing a video or information resource.