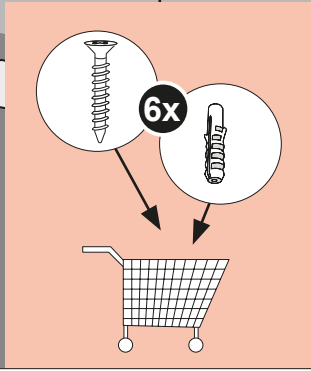
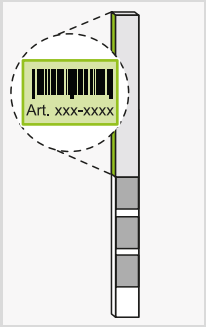
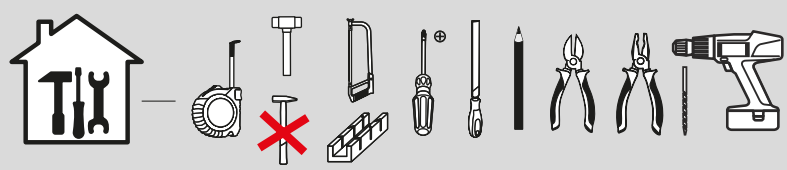


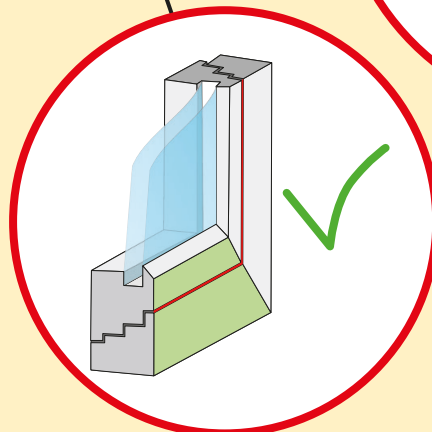
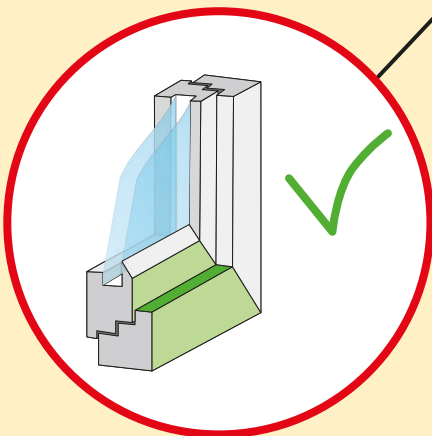
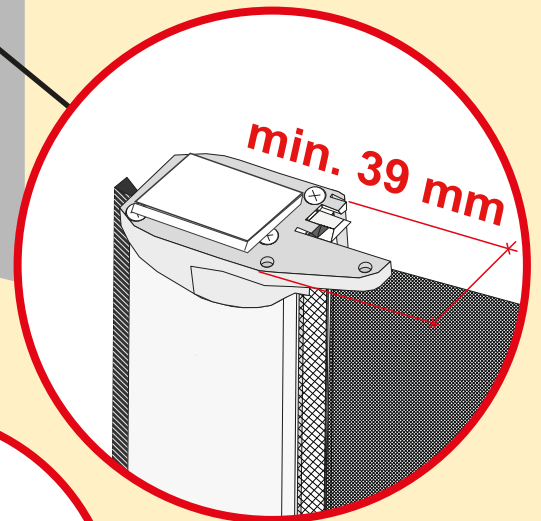
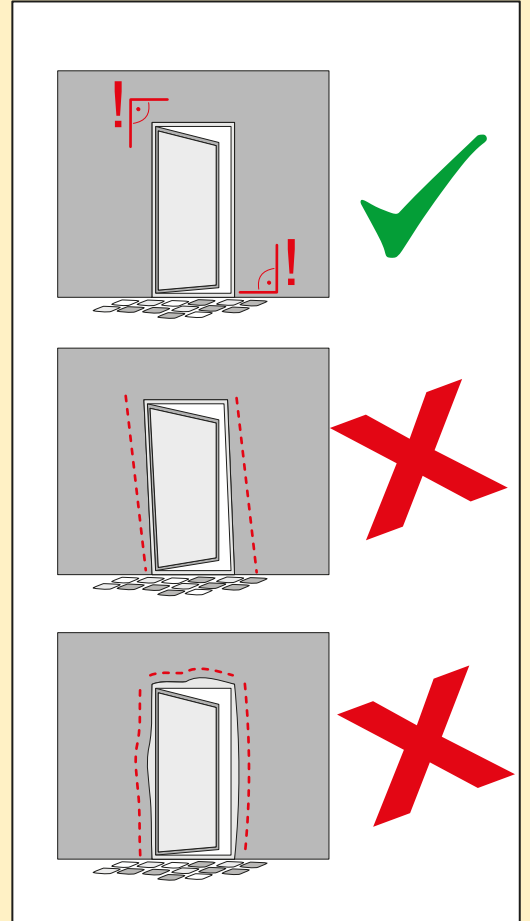
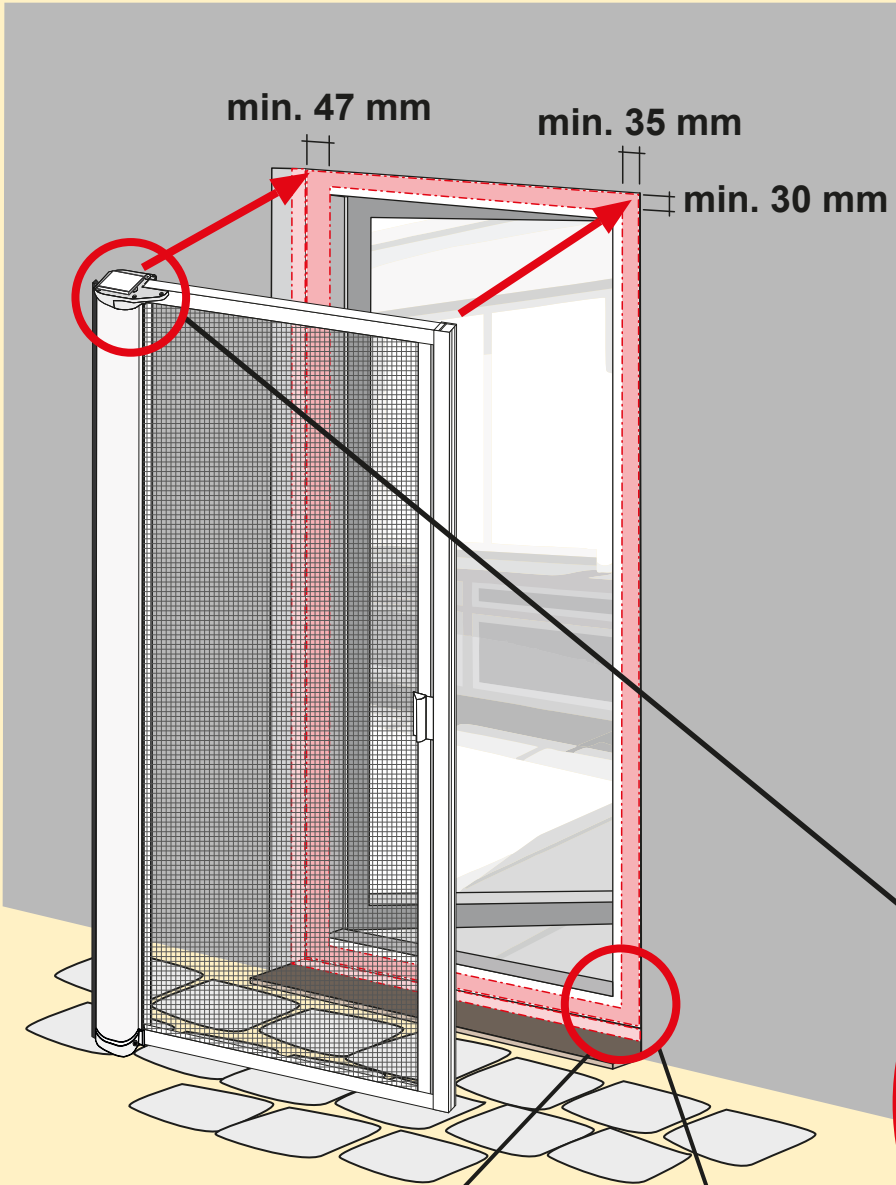


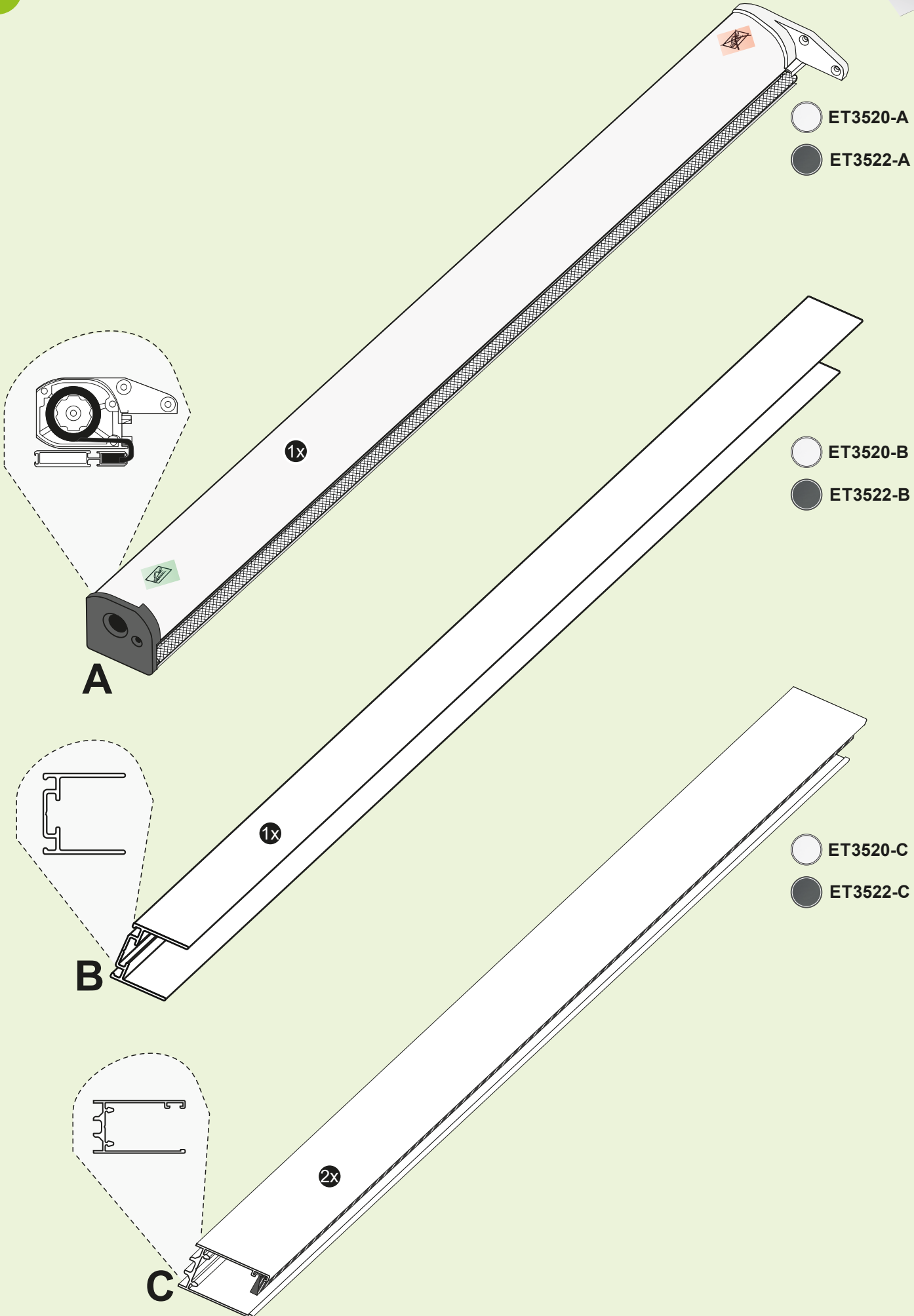
autoSTOP

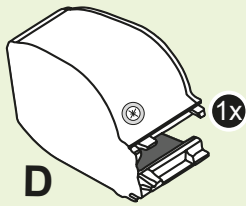
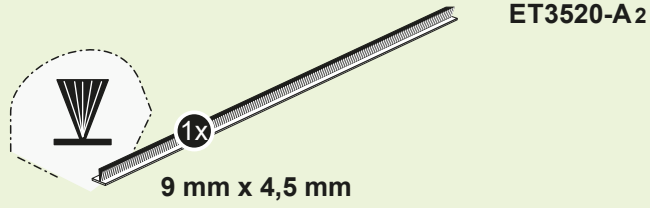


i

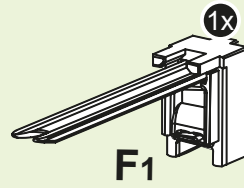




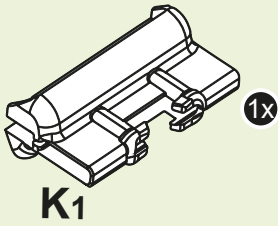




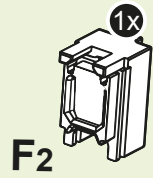
- ET3520-D
- ET3522-D



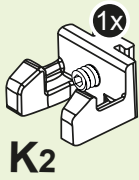
- ET3520-F1
- ET3522-F1



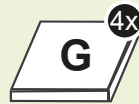
- ET3520-K1
- ET3522-K1



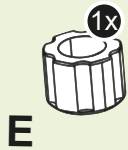
- ET3520-F2
- ET3522-F2



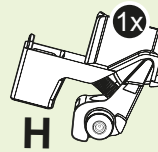
- ET3520-K2
- ET3522-K2



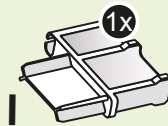
ET3520-G



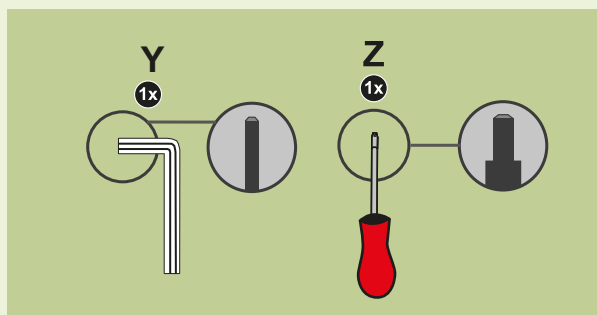
ET3520-E

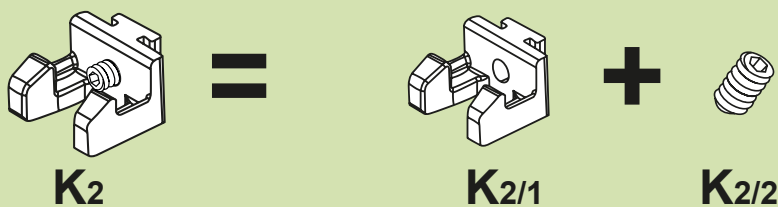
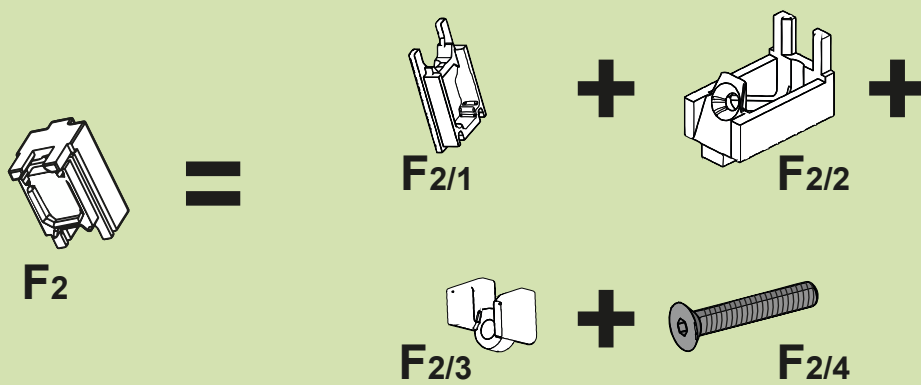
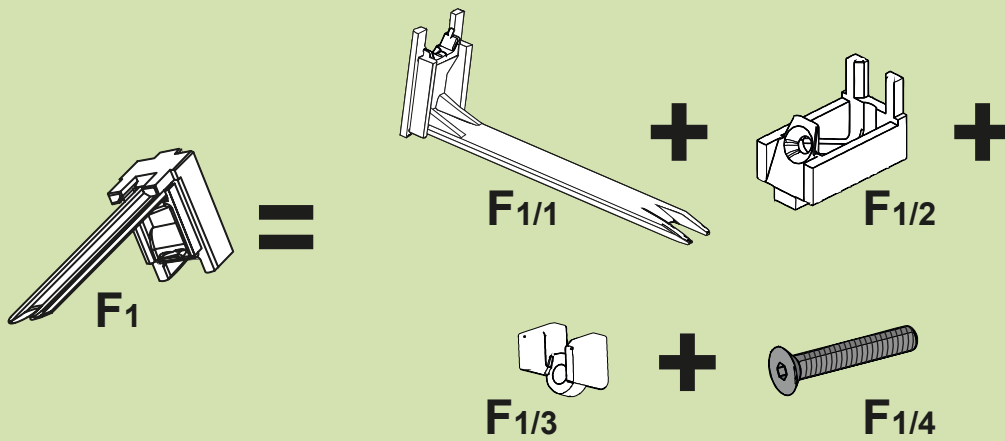
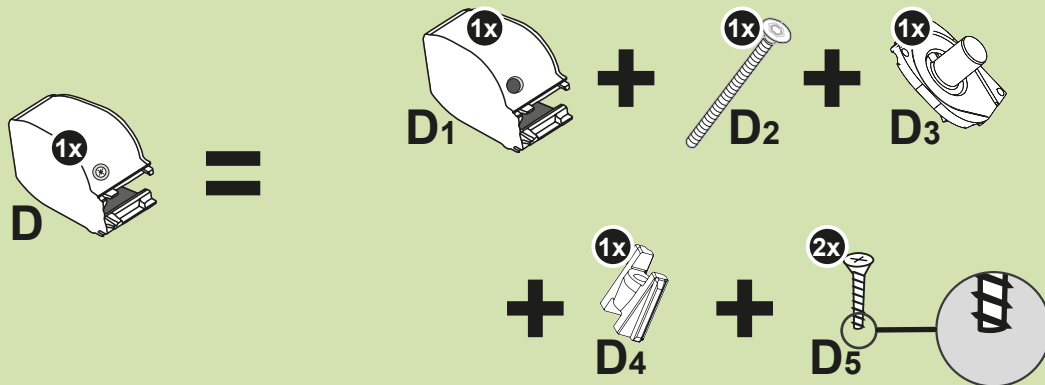


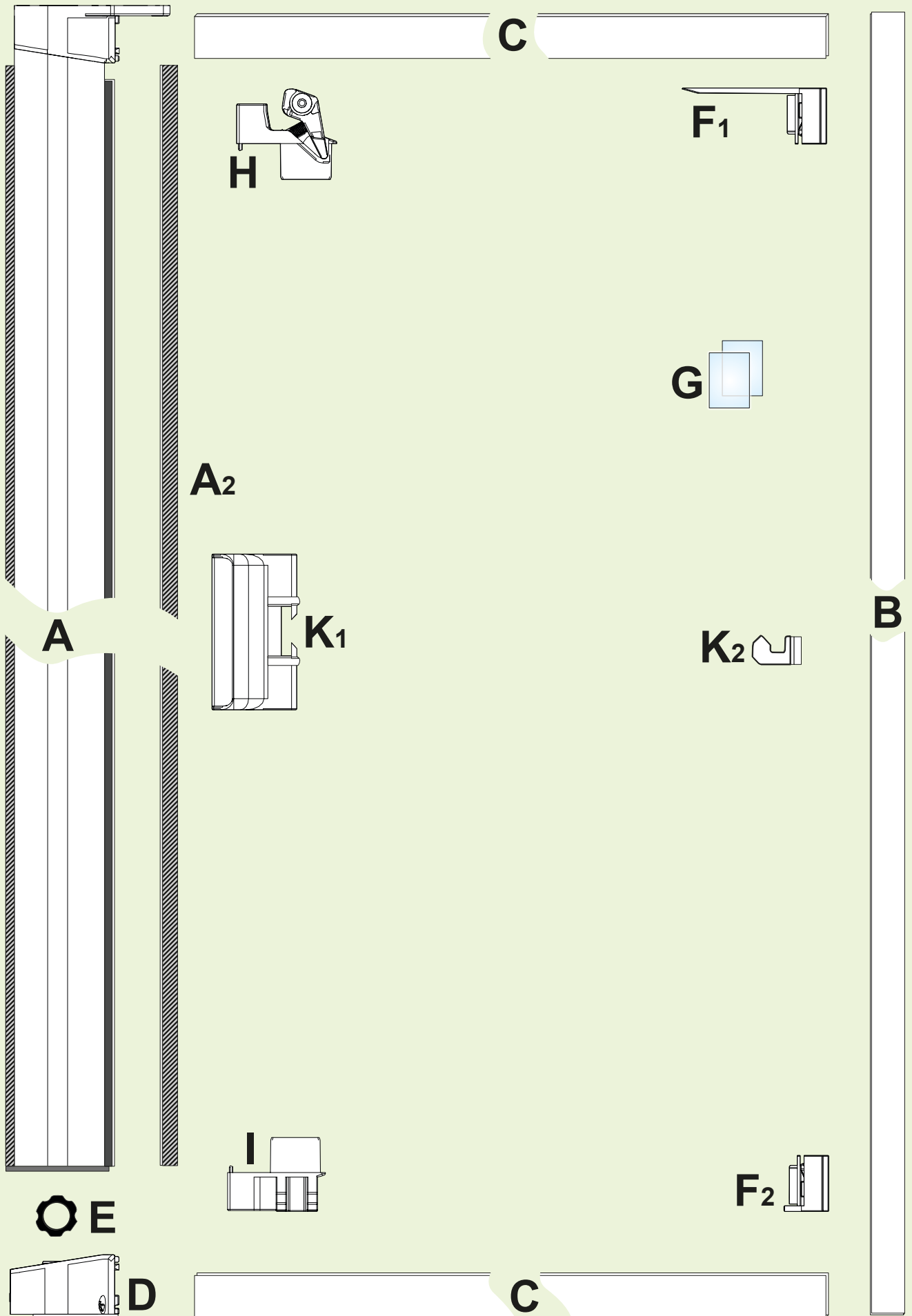
ET3520-H

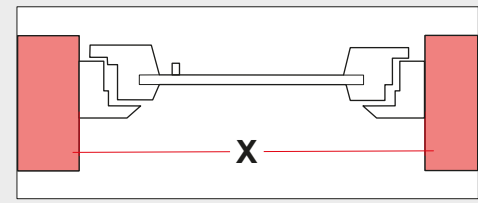
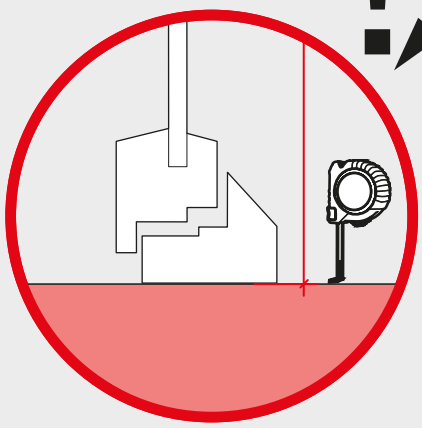
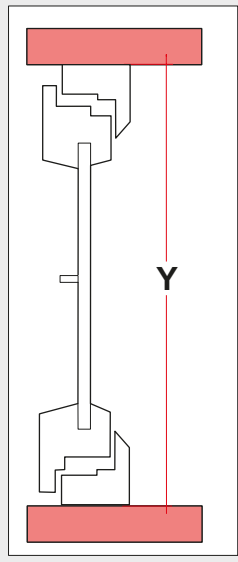
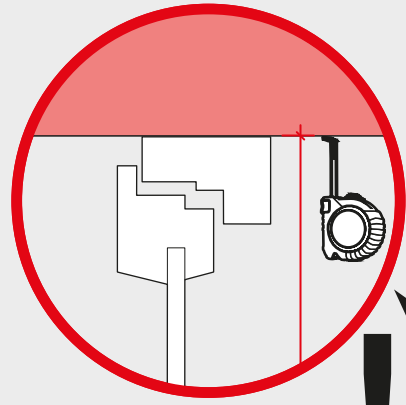
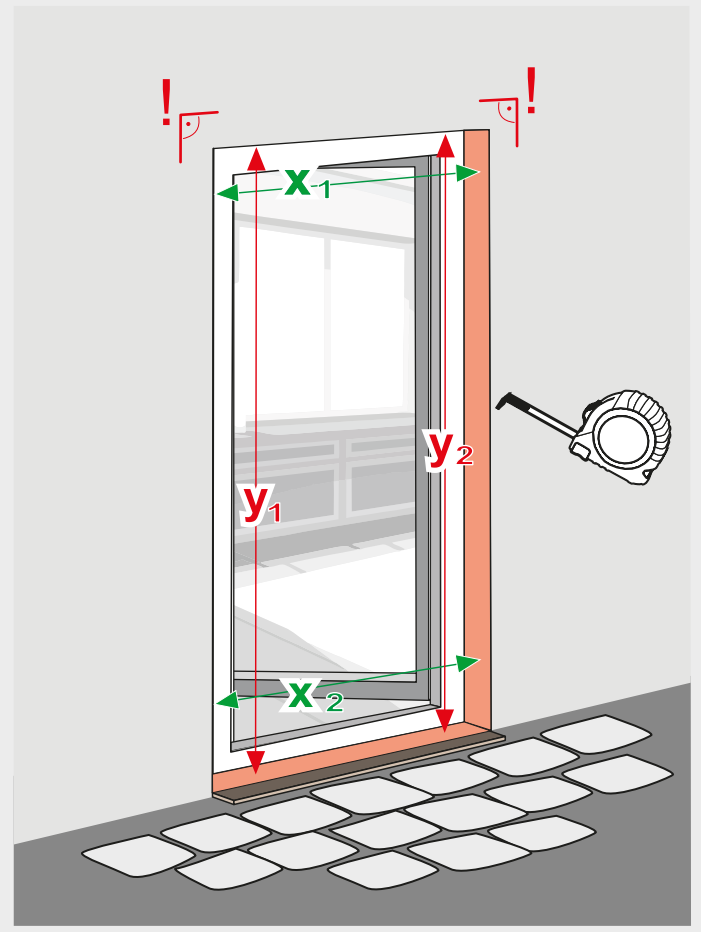
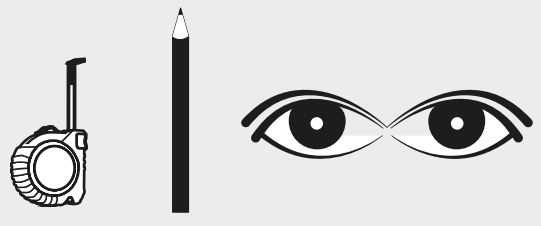


ET3520-I

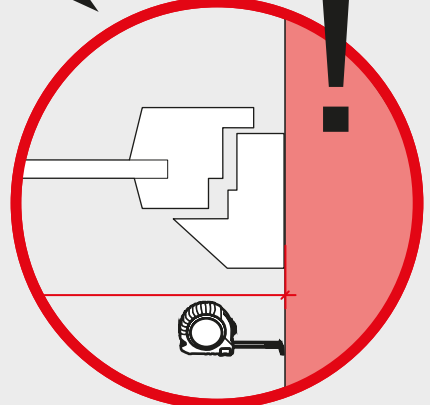
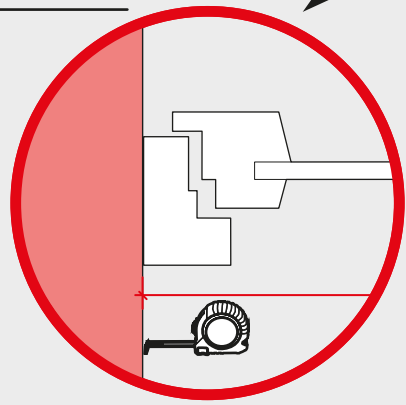






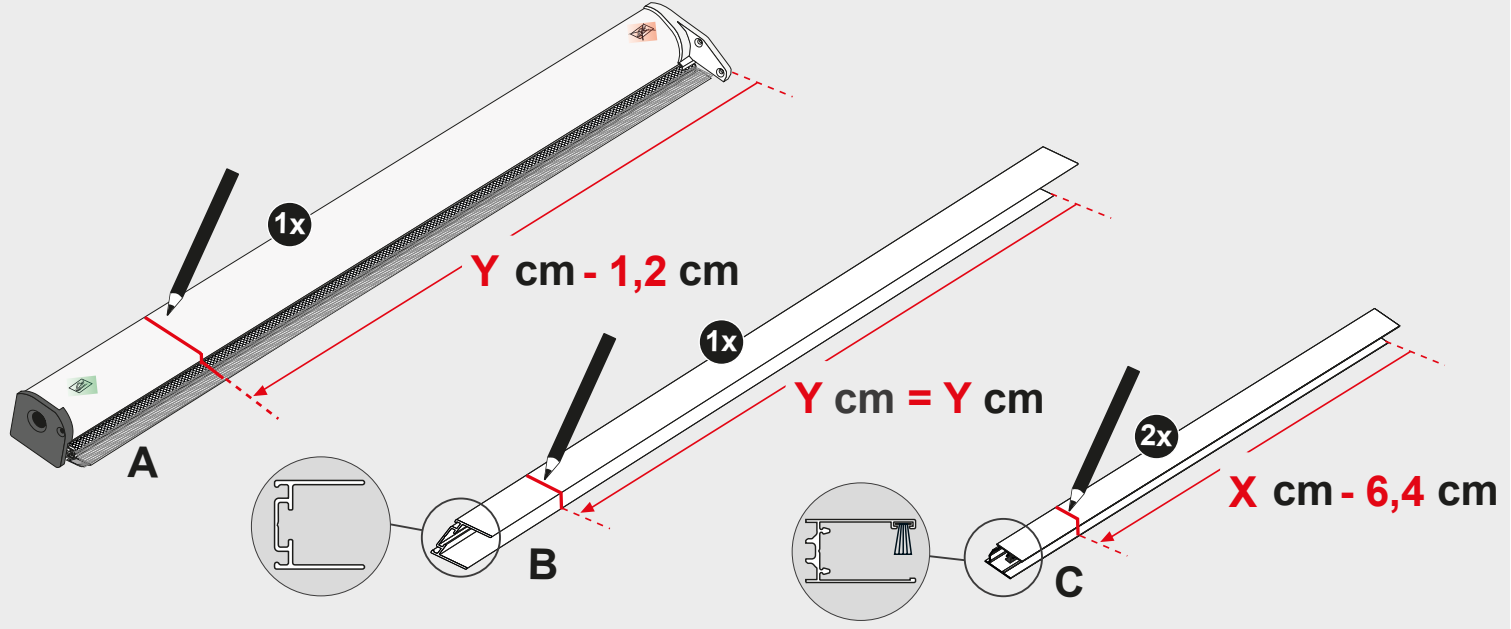
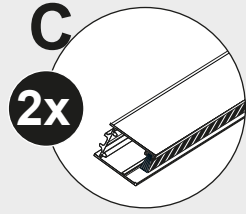
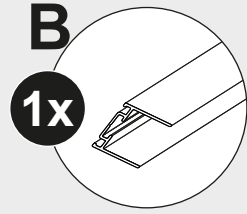
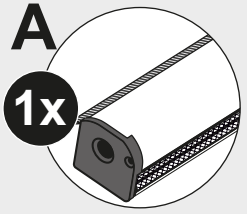


**Y<sub>1</sub> = Y<sub>2</sub> = \_\_\_\_\_ cm**

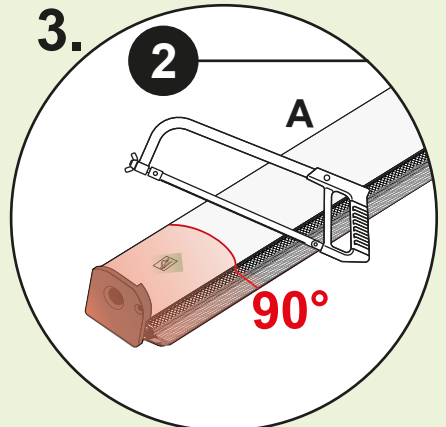
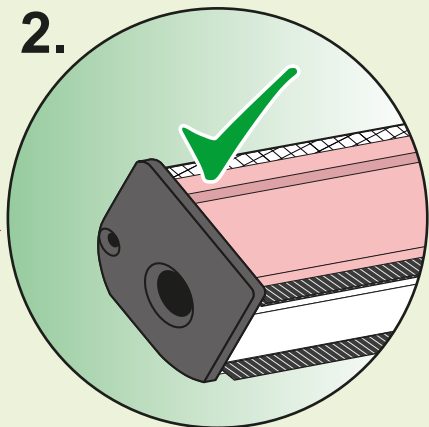
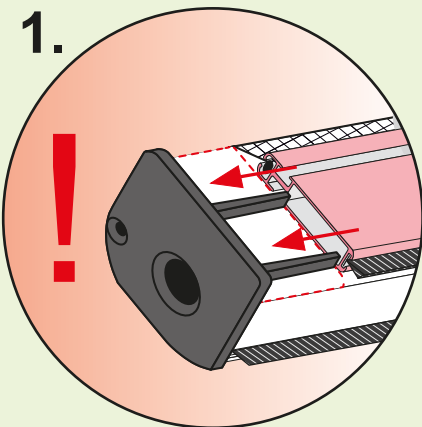
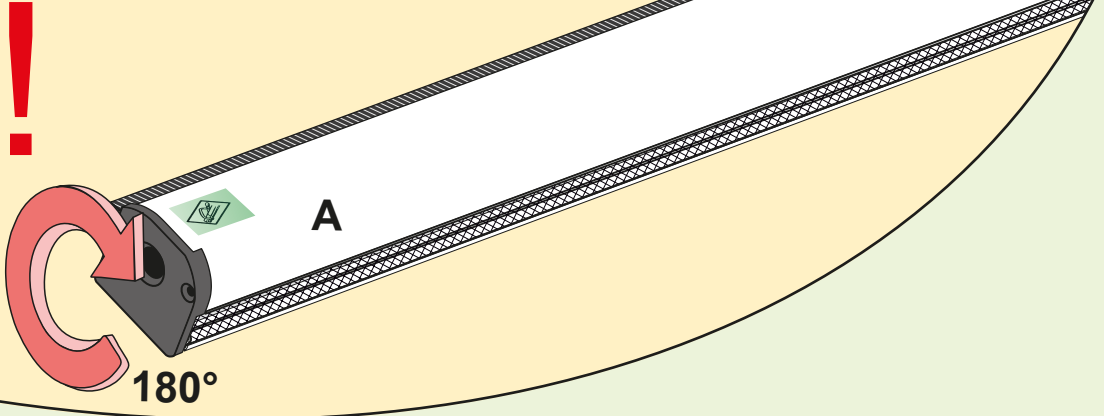


**X<sub>1</sub> = X<sub>2</sub> = \_\_\_\_\_ cm**

1

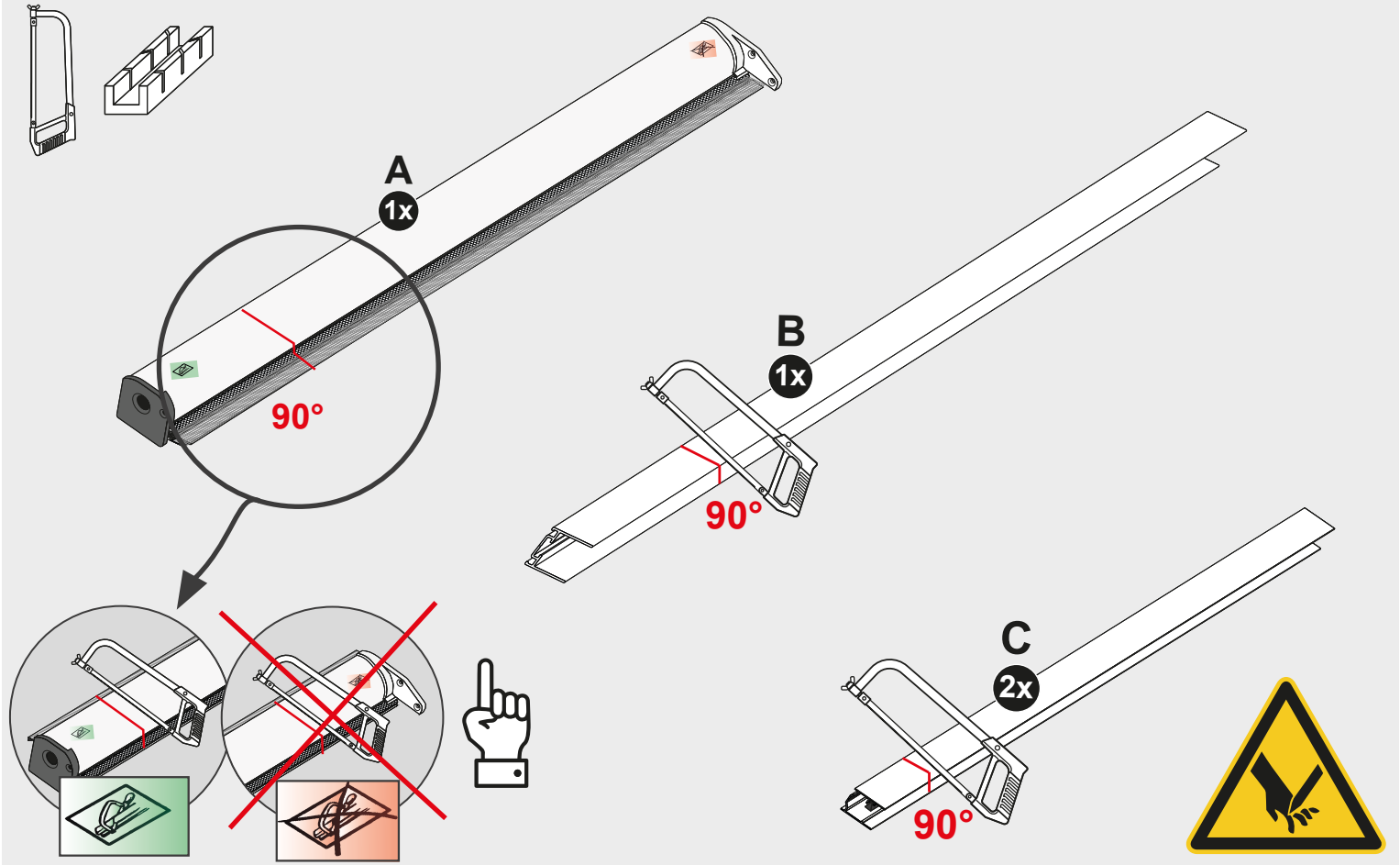


i

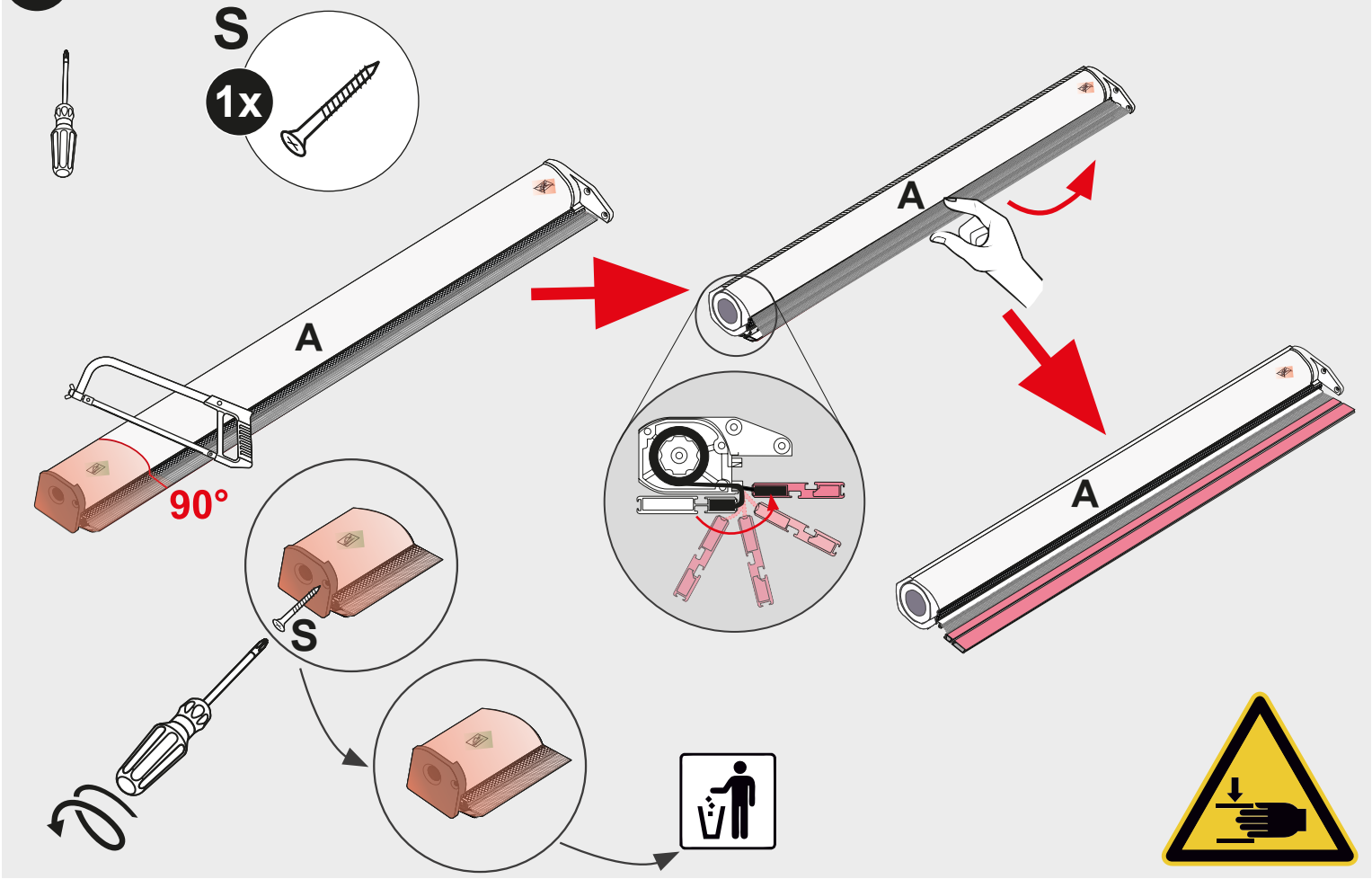




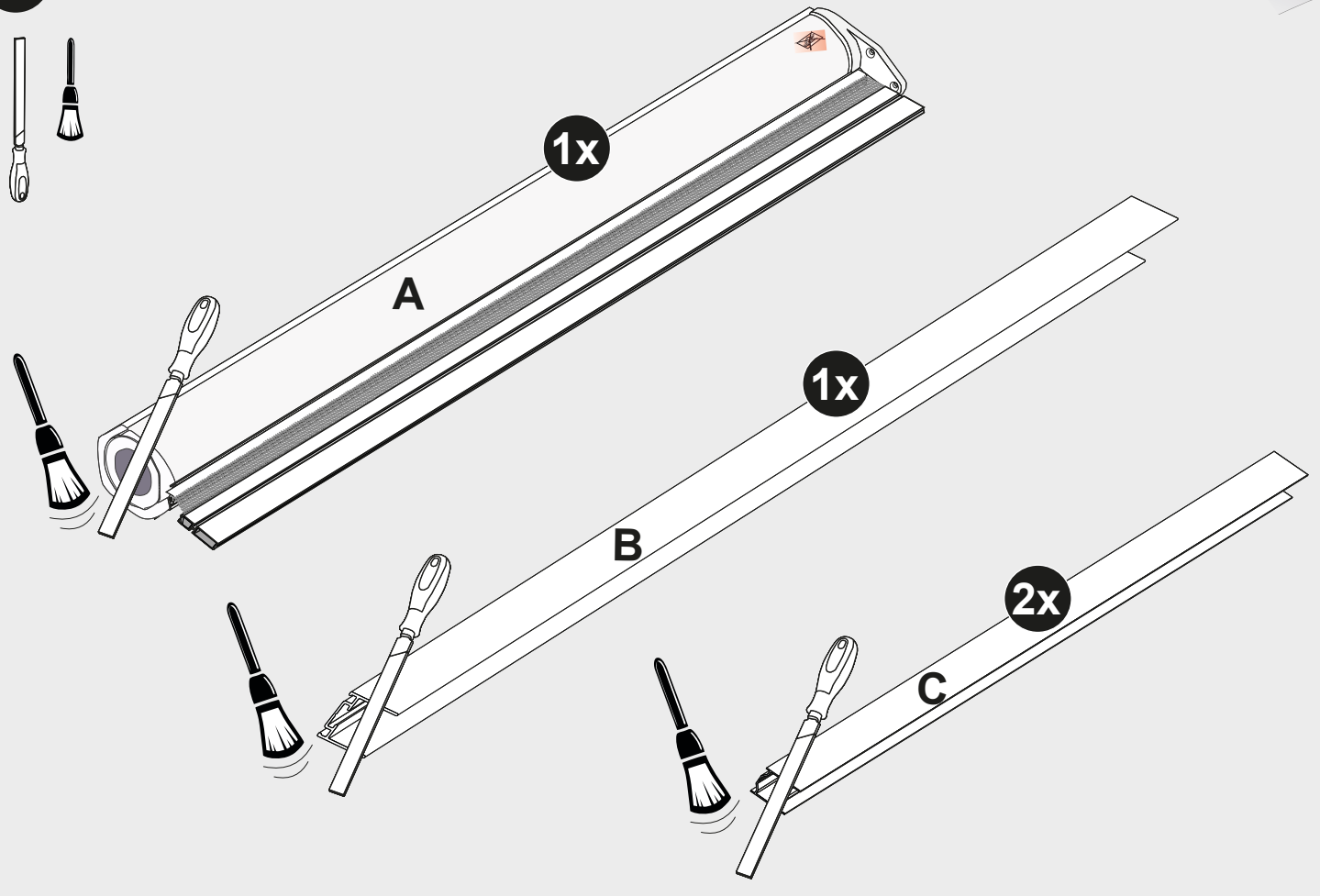
2



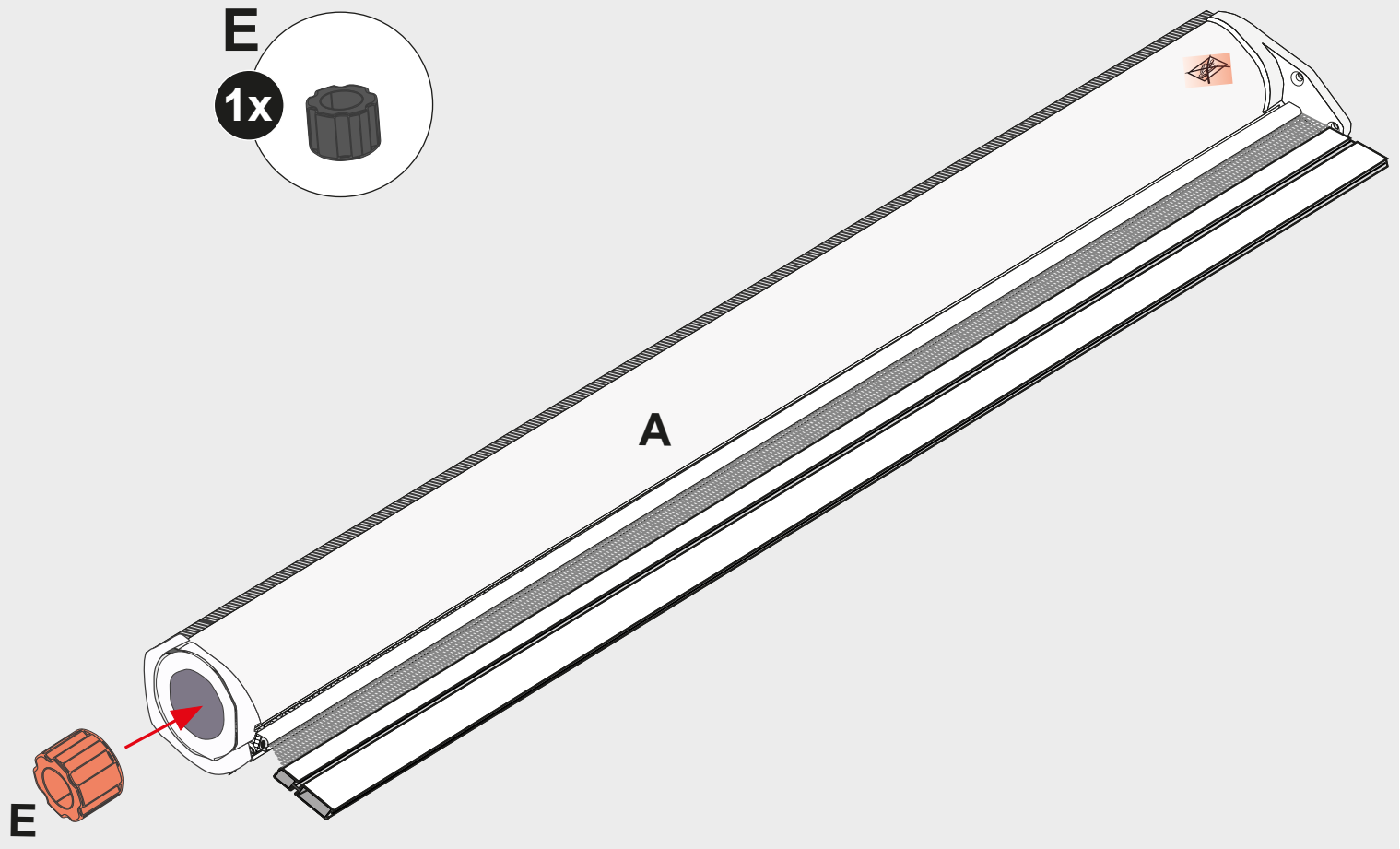
3



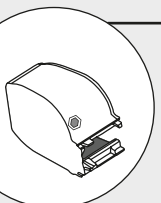
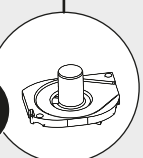
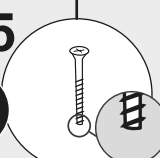
4

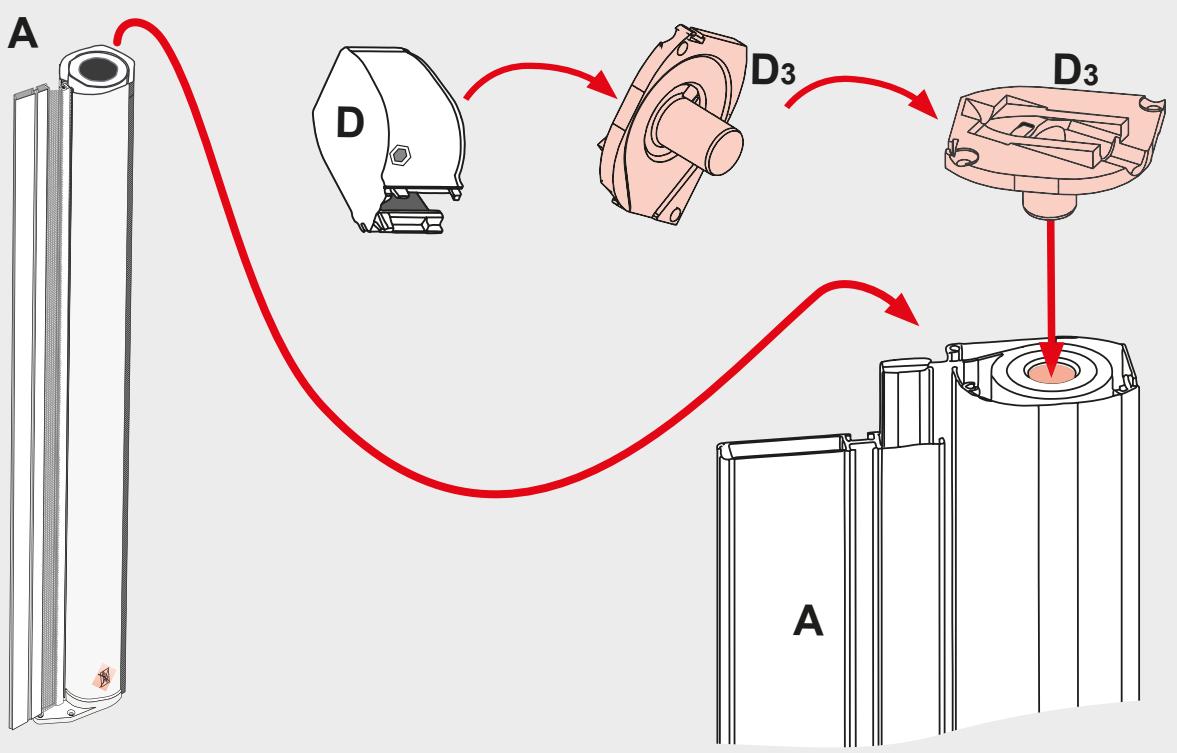


5


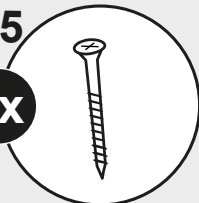


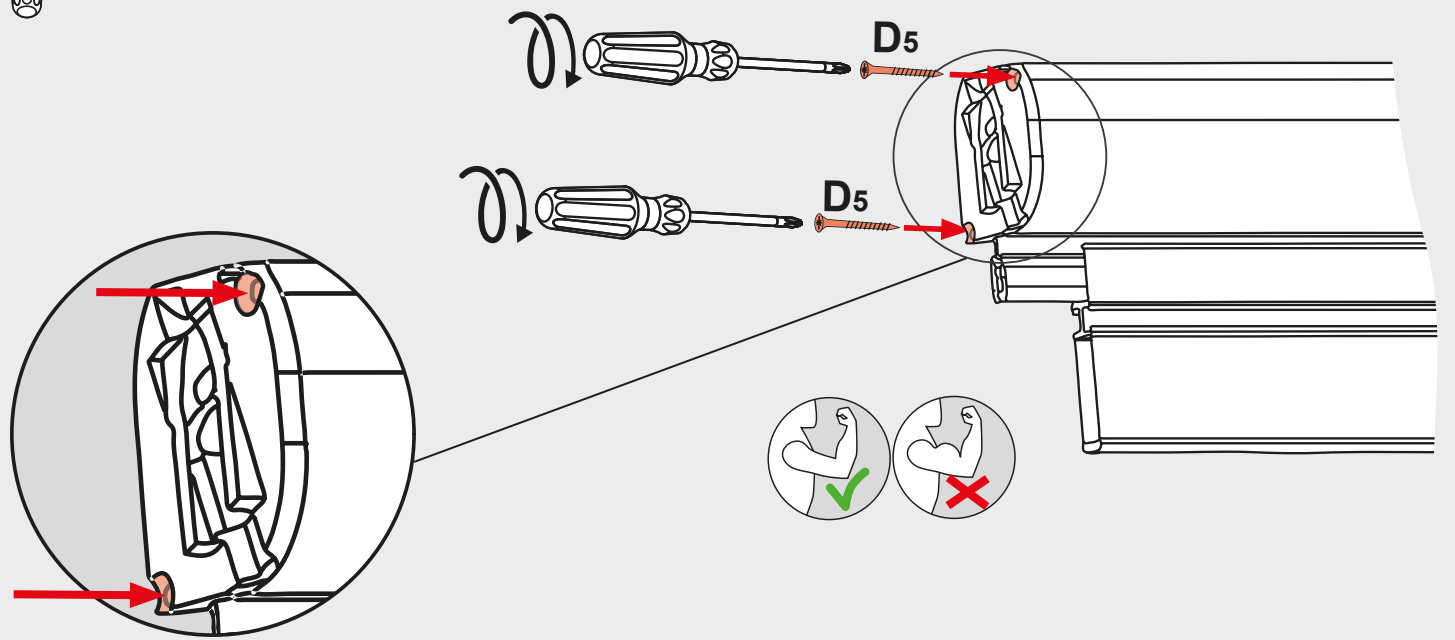
6

- D** 1x 
- D3** 1x 
- D5** 2x 

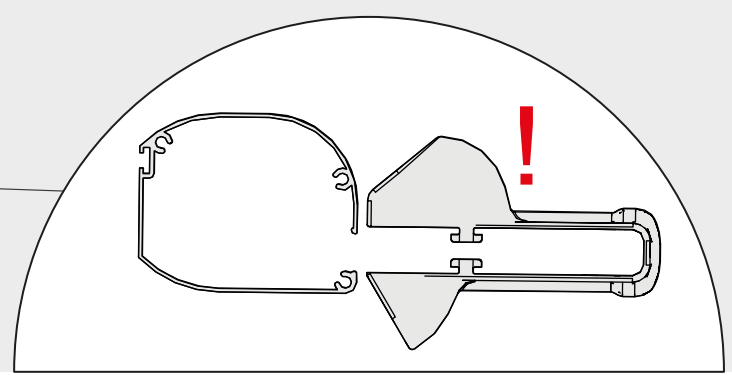
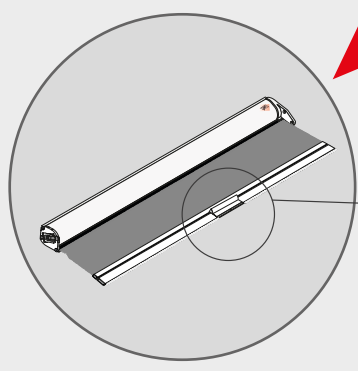
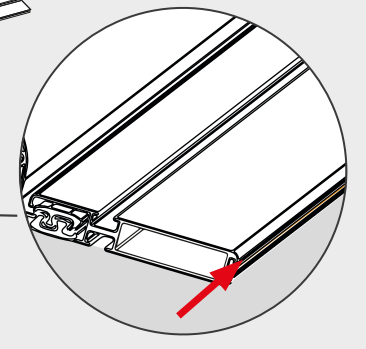
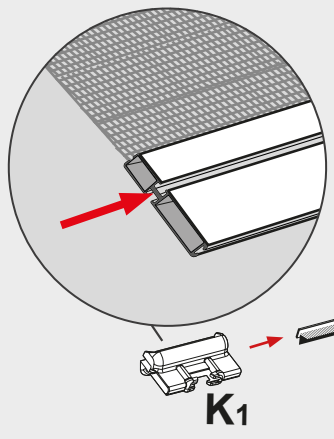
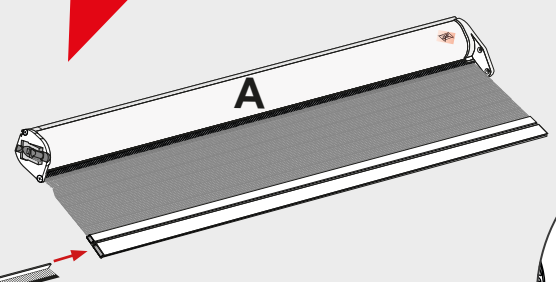
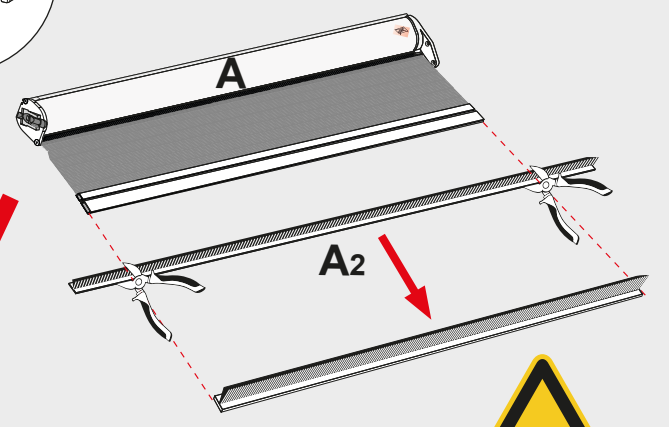
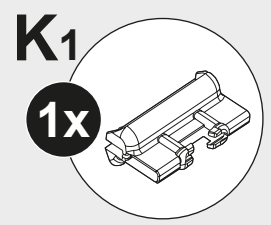
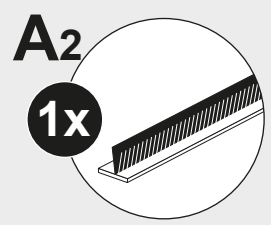


7

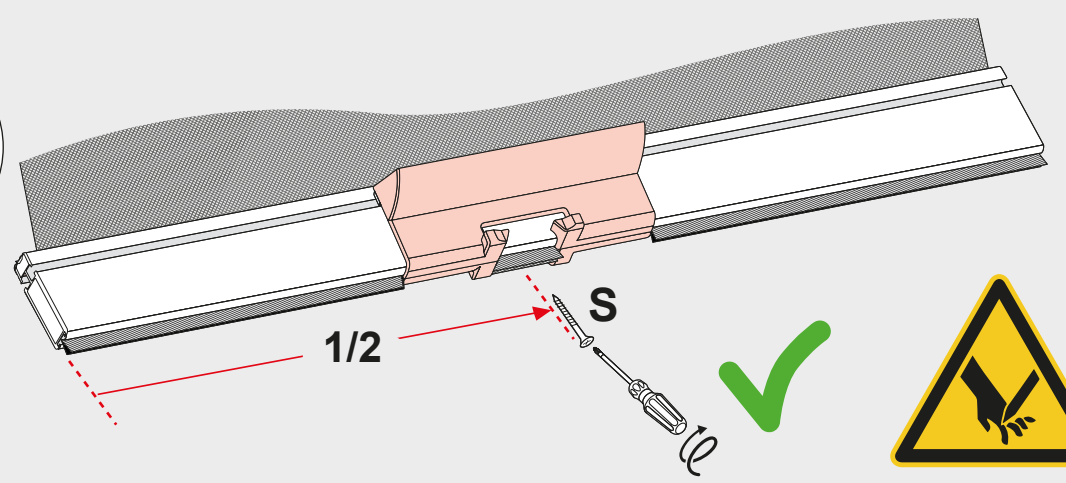
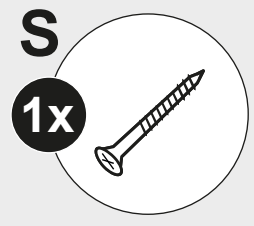
- 
- D5** 2x 



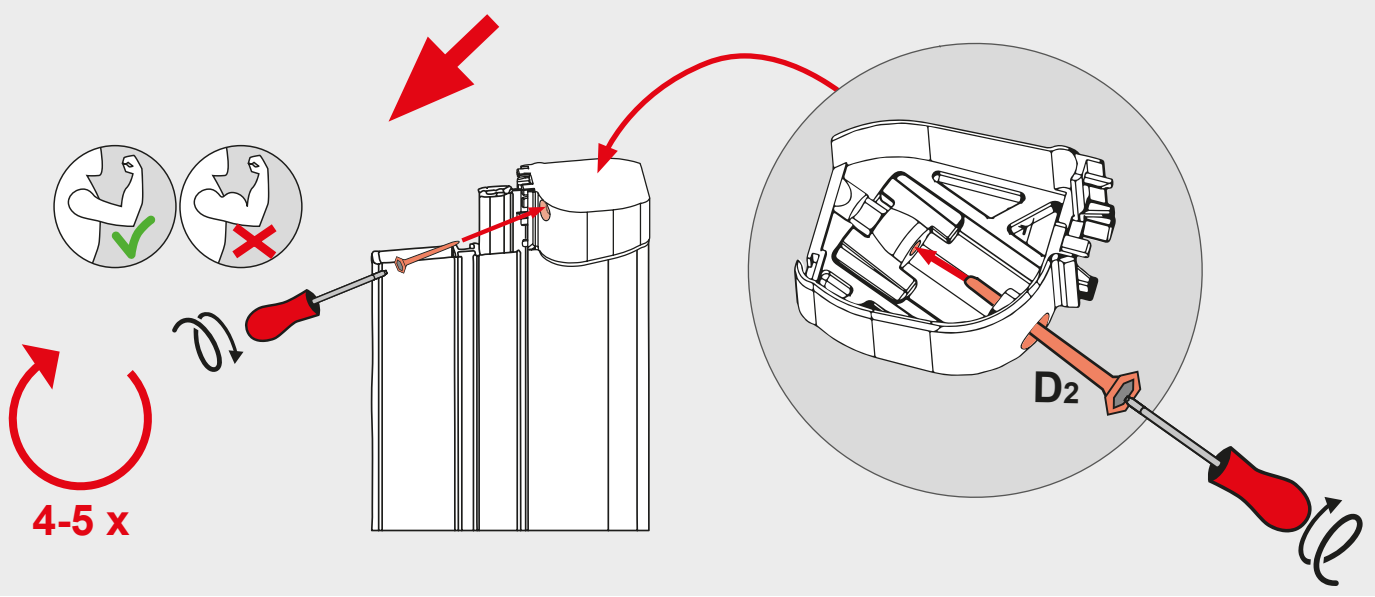
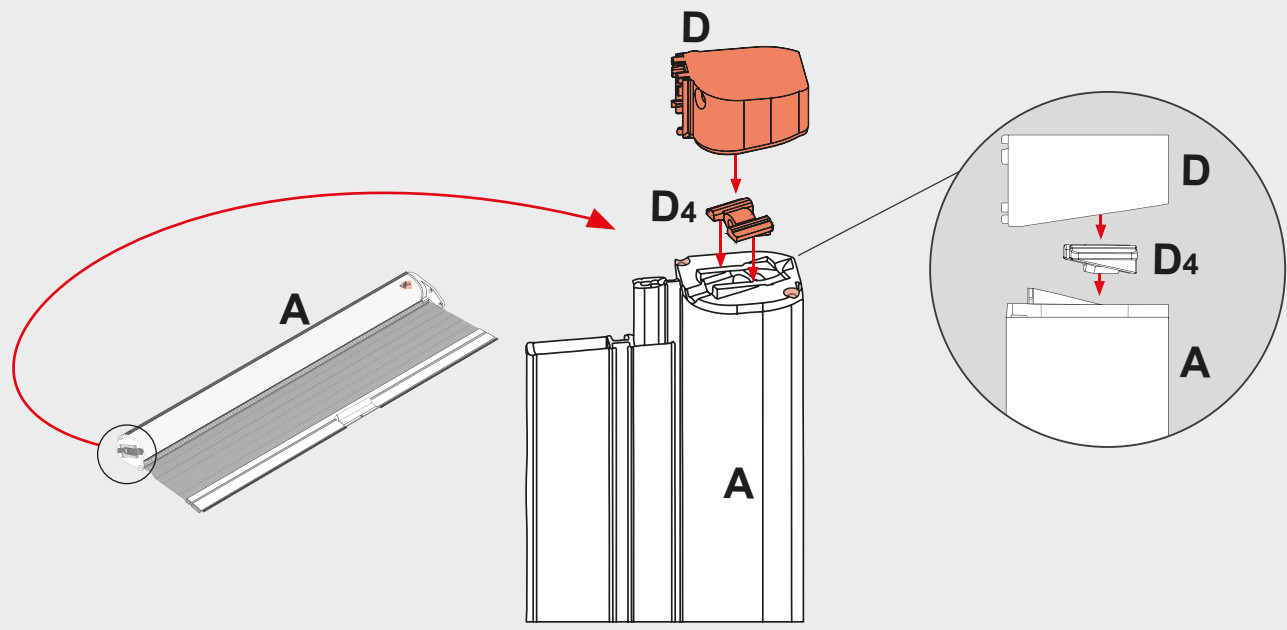
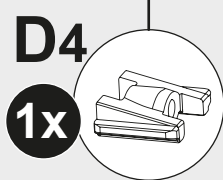
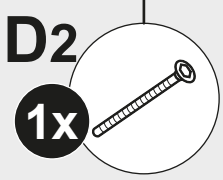
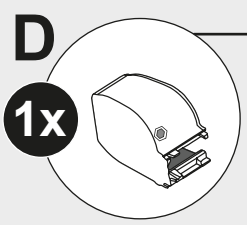
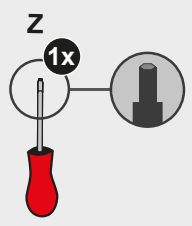
8



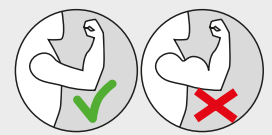
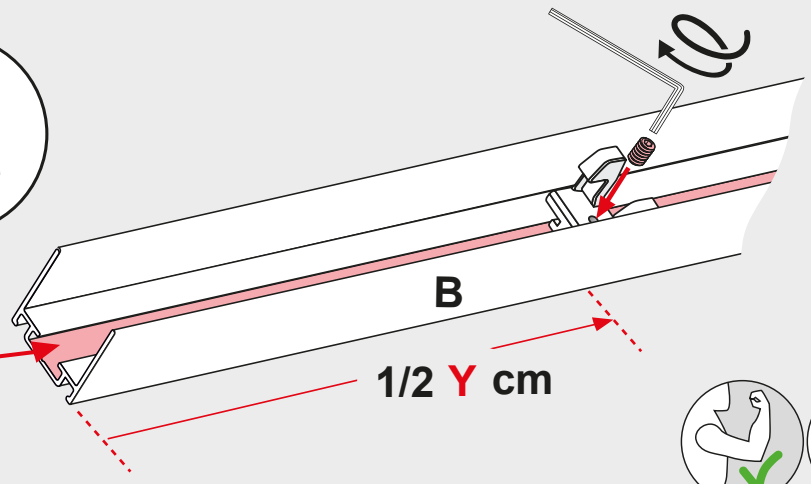
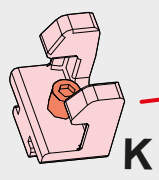
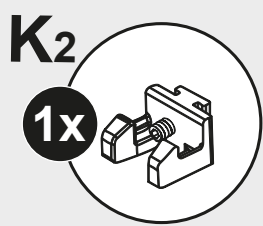
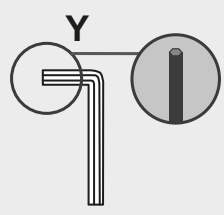
9



10

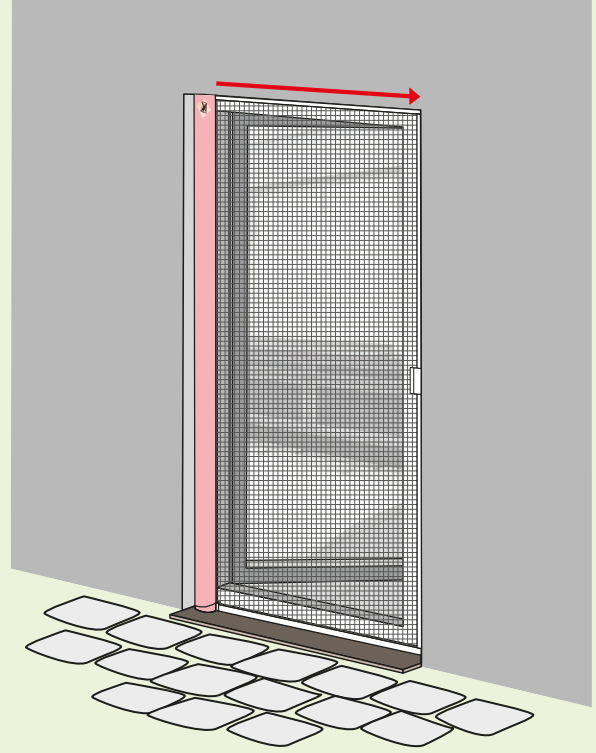


11

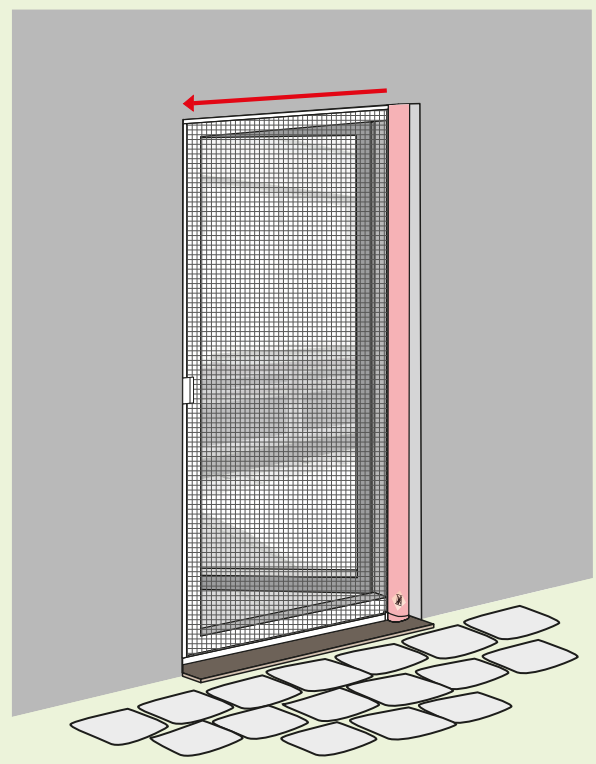




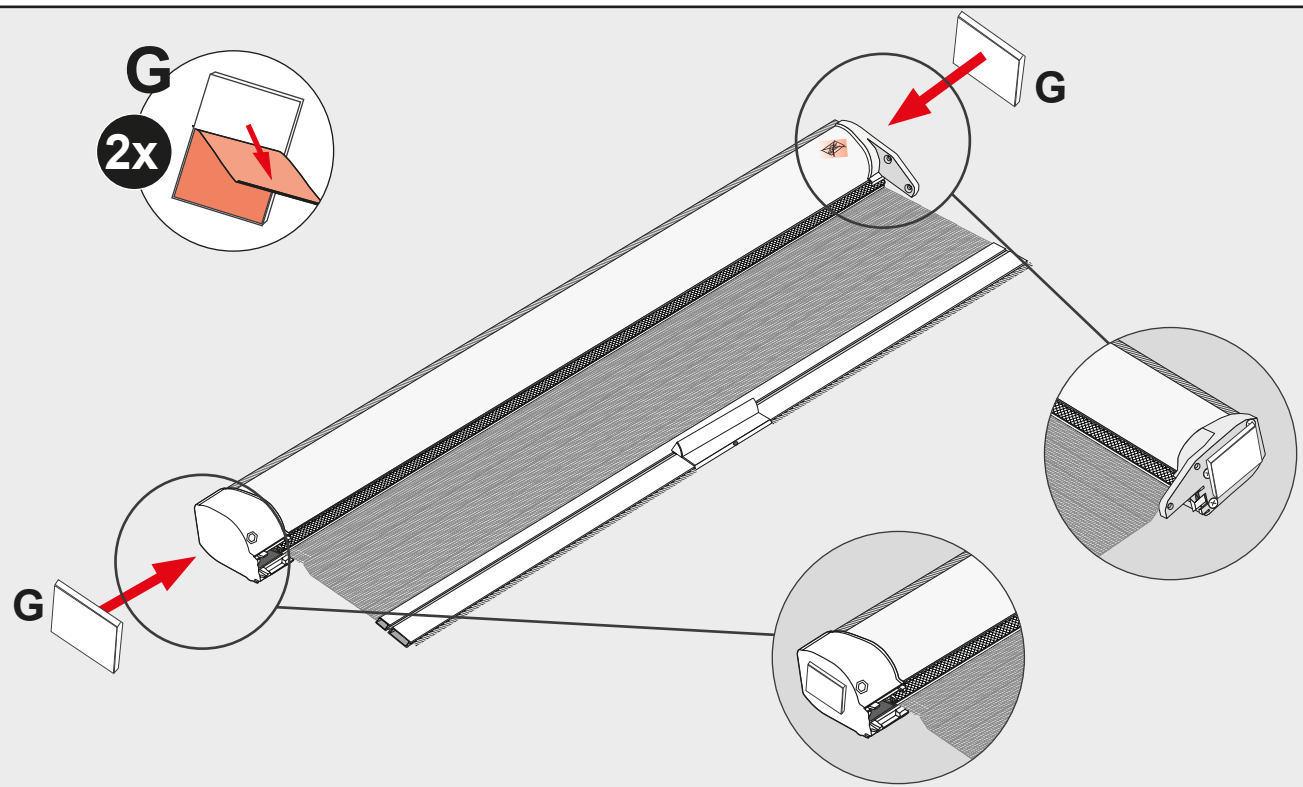
12 → 21



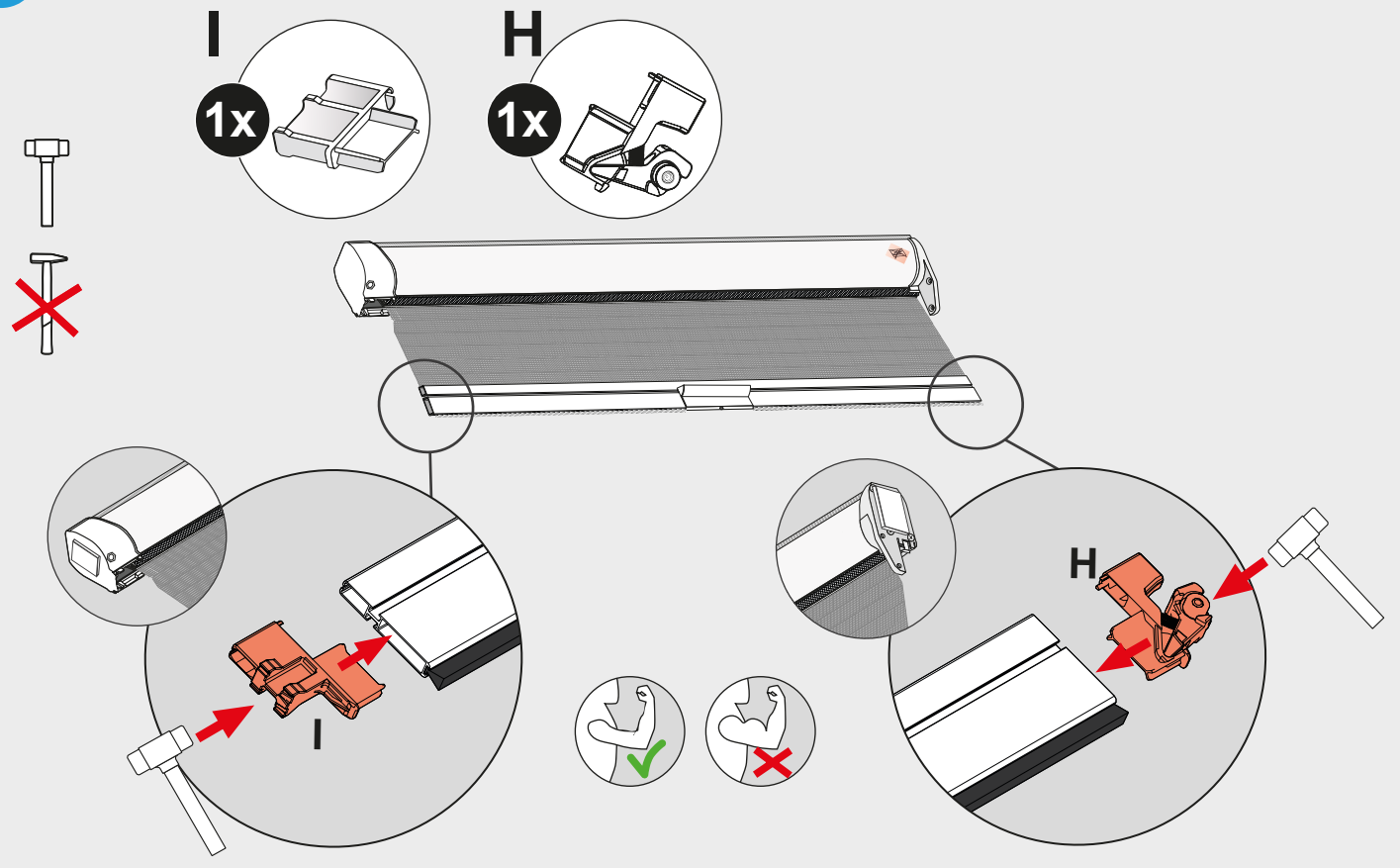
22 → 31



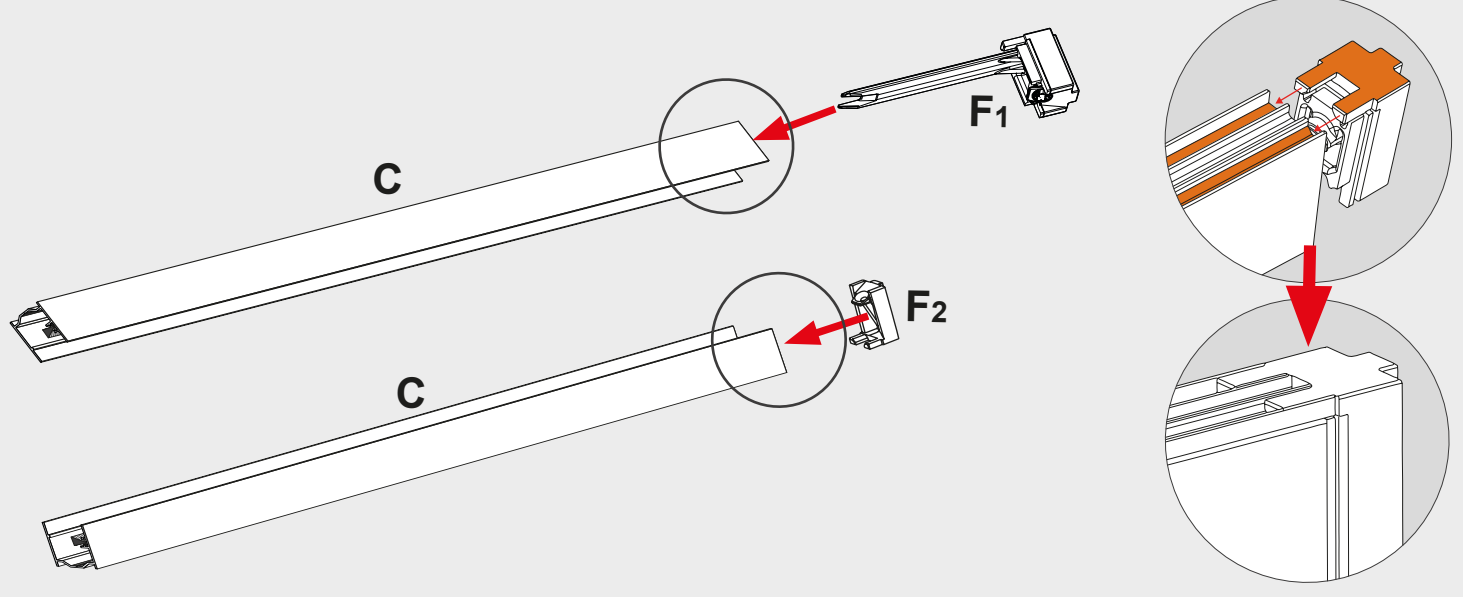
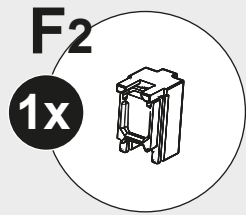
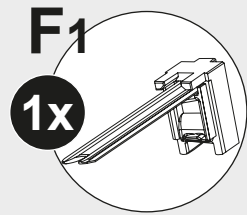
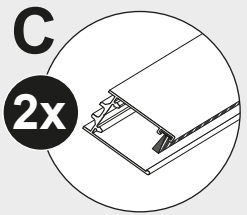
12



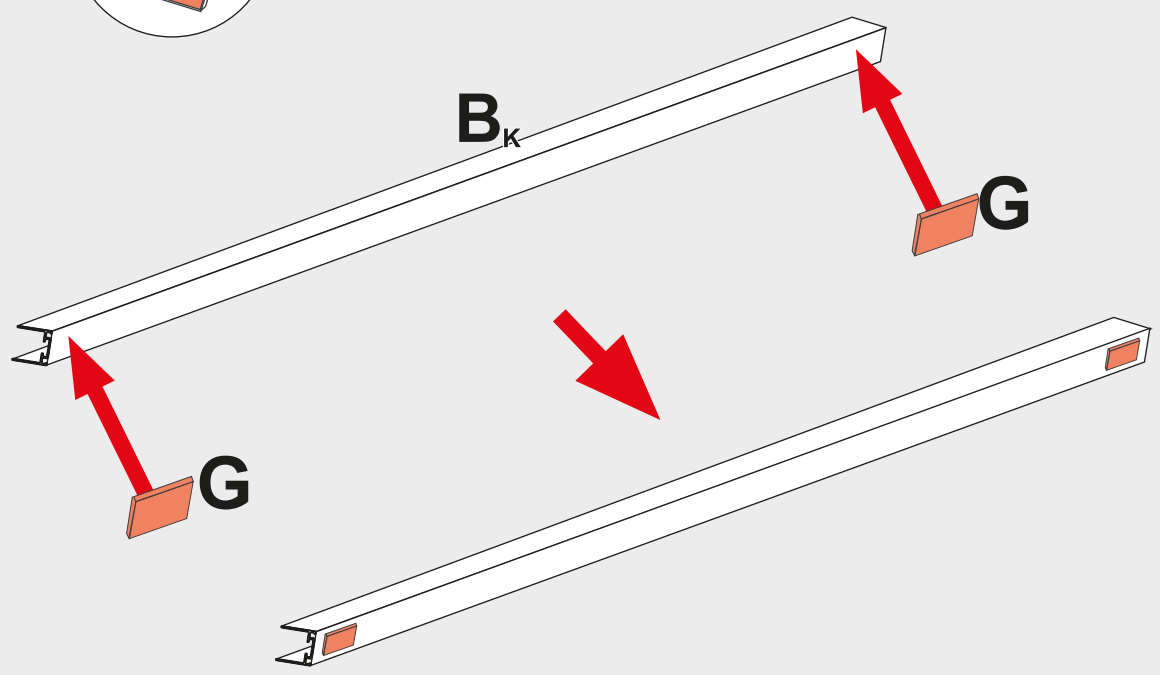
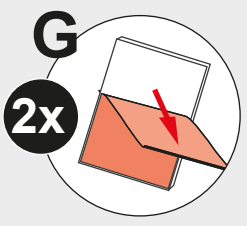
13



14

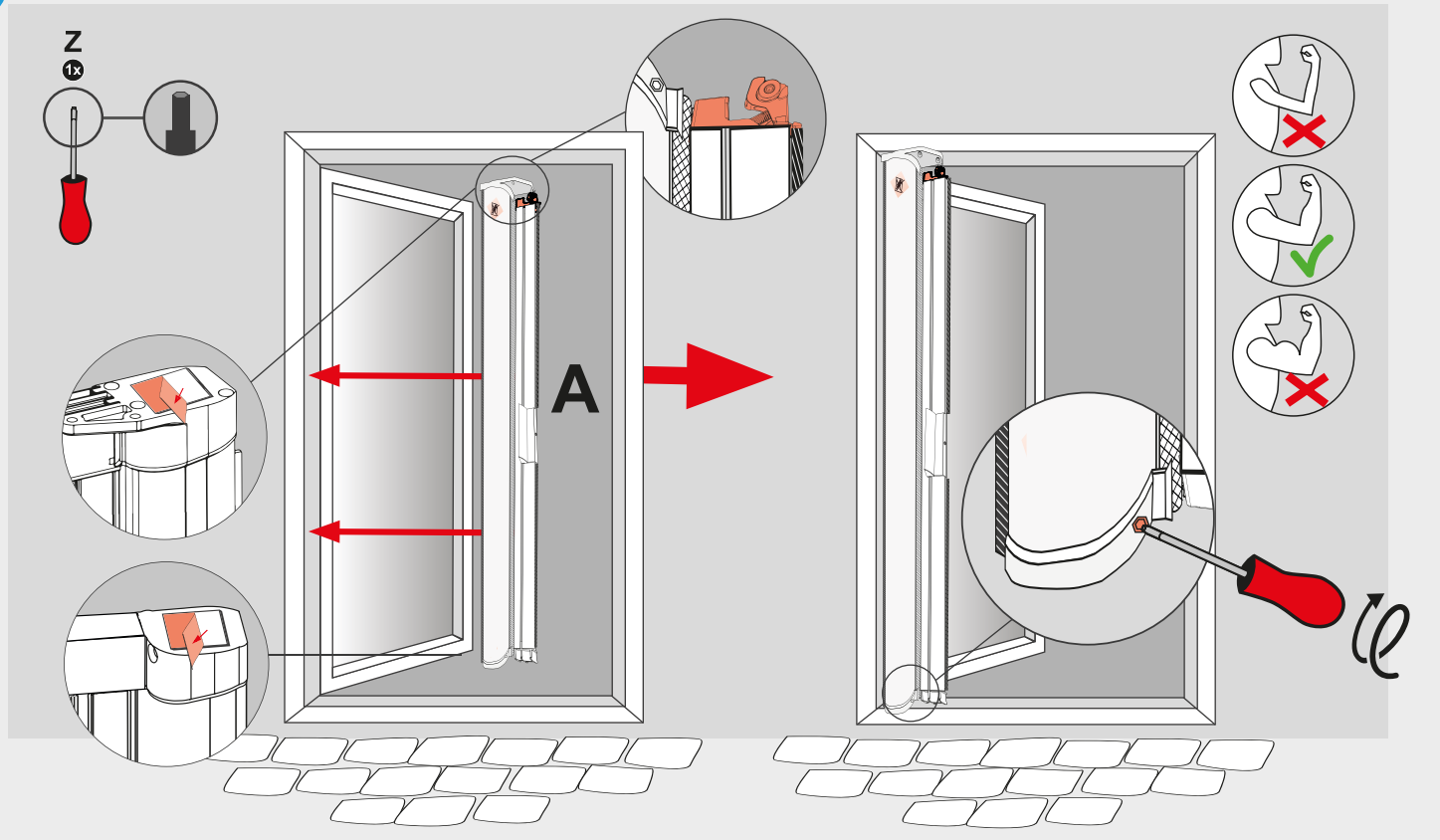


15

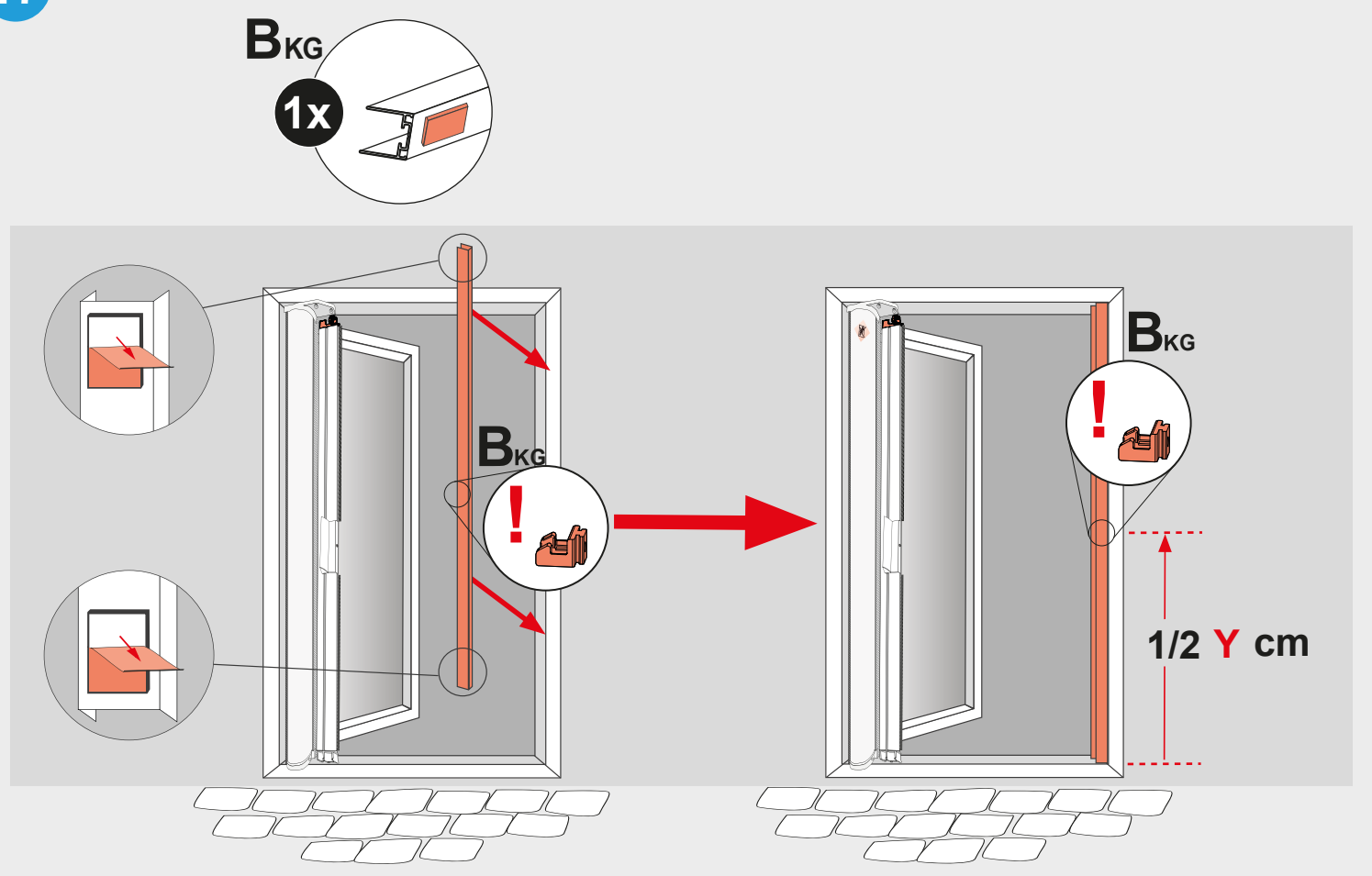


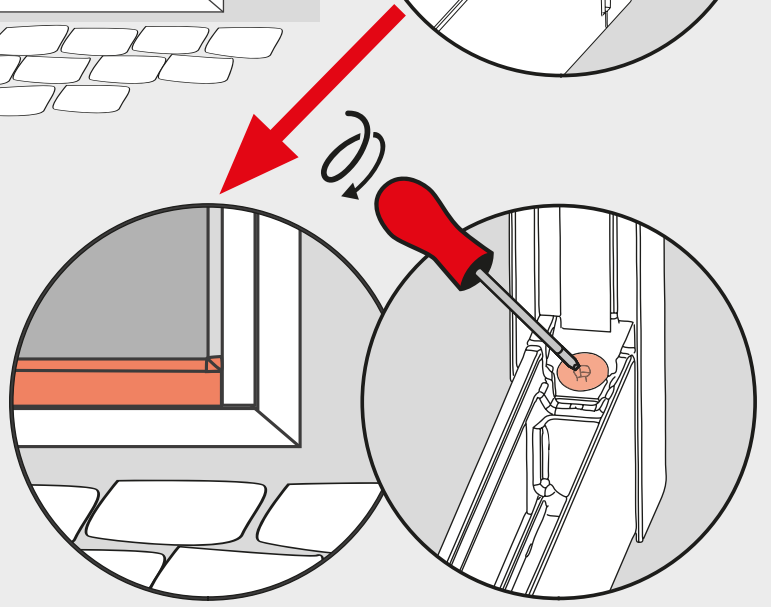
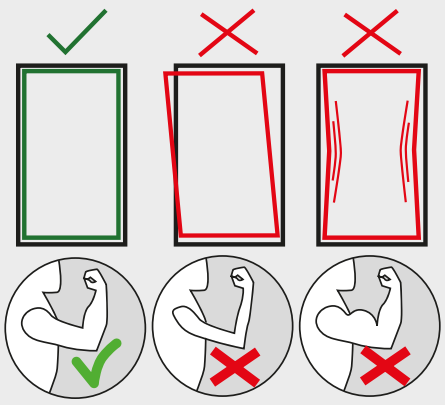
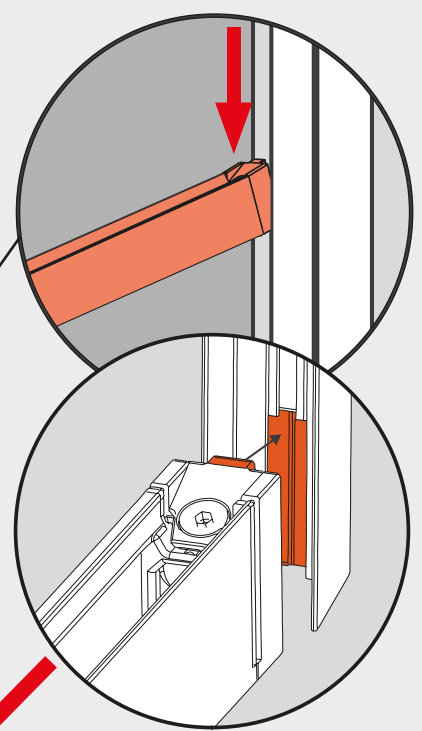
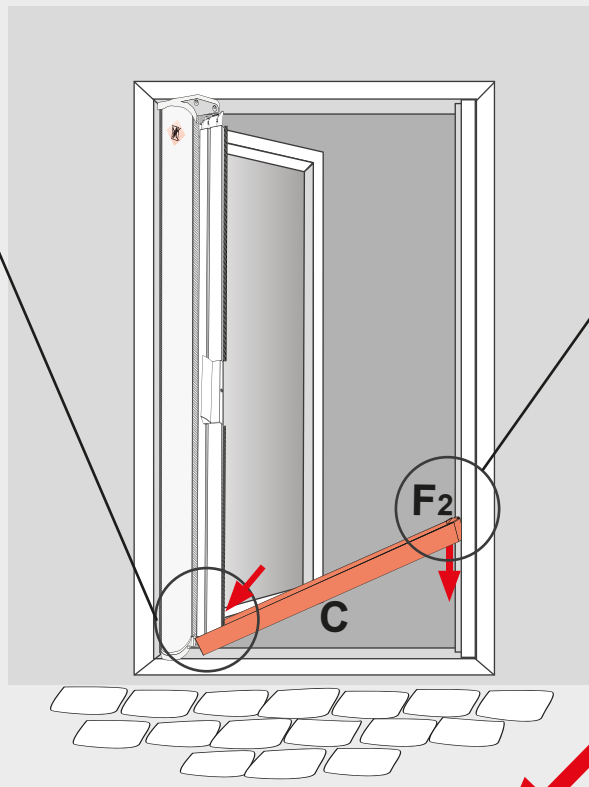
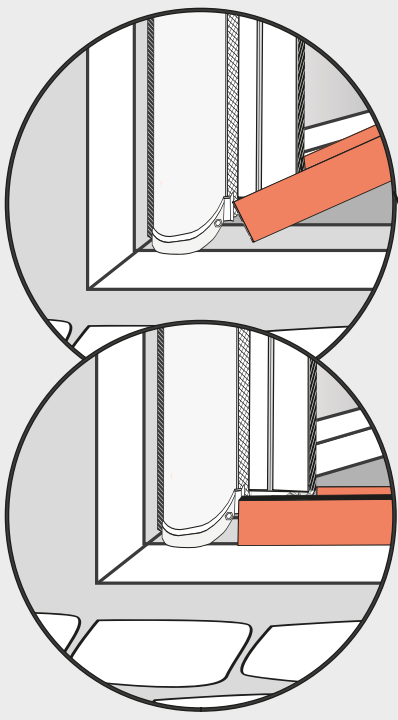
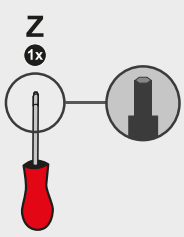


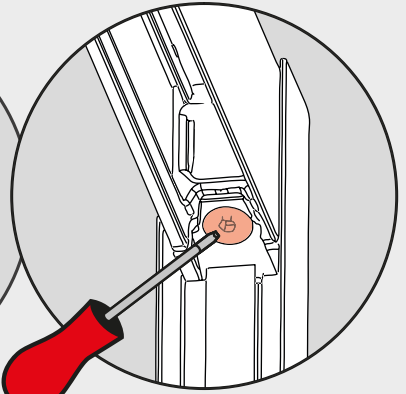
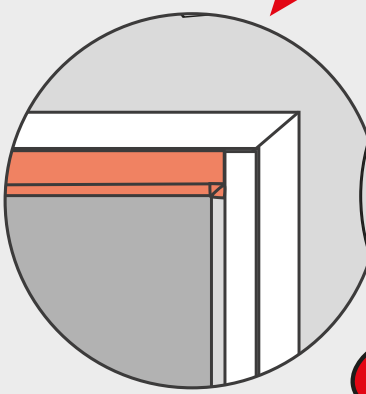
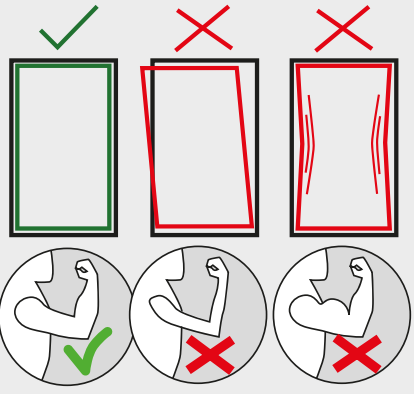
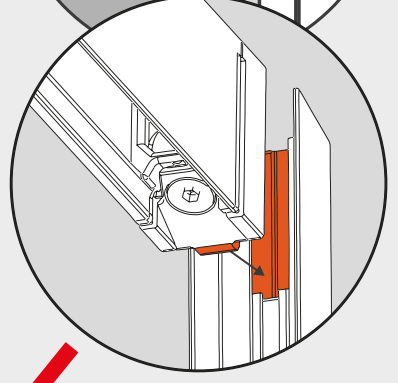
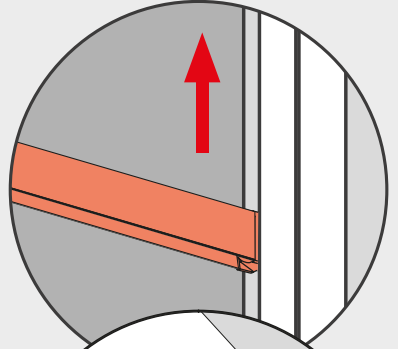
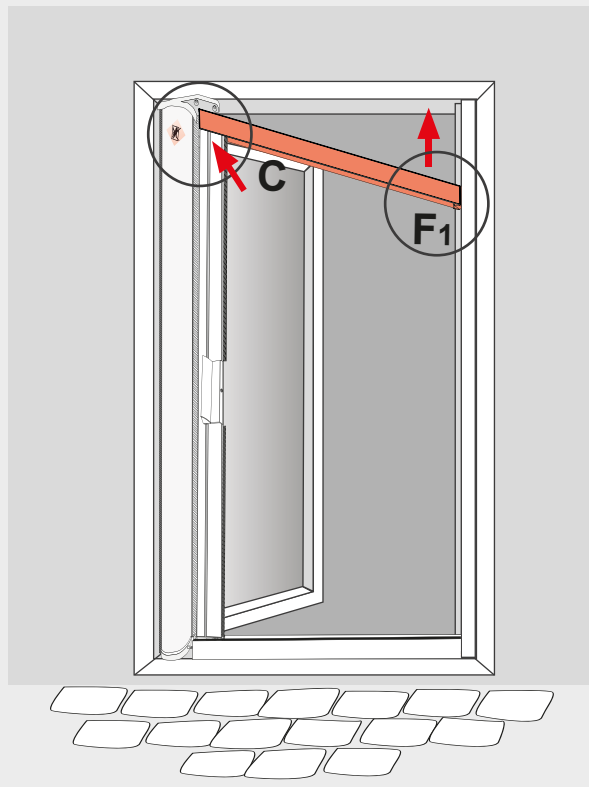
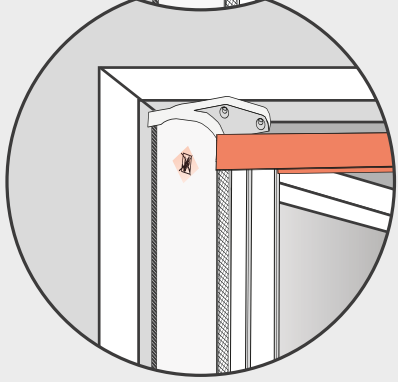
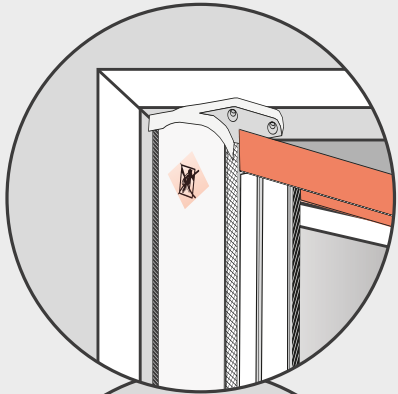
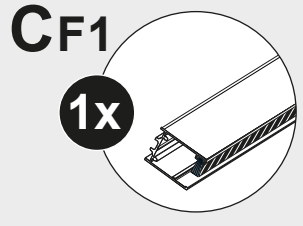
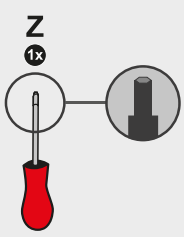
16

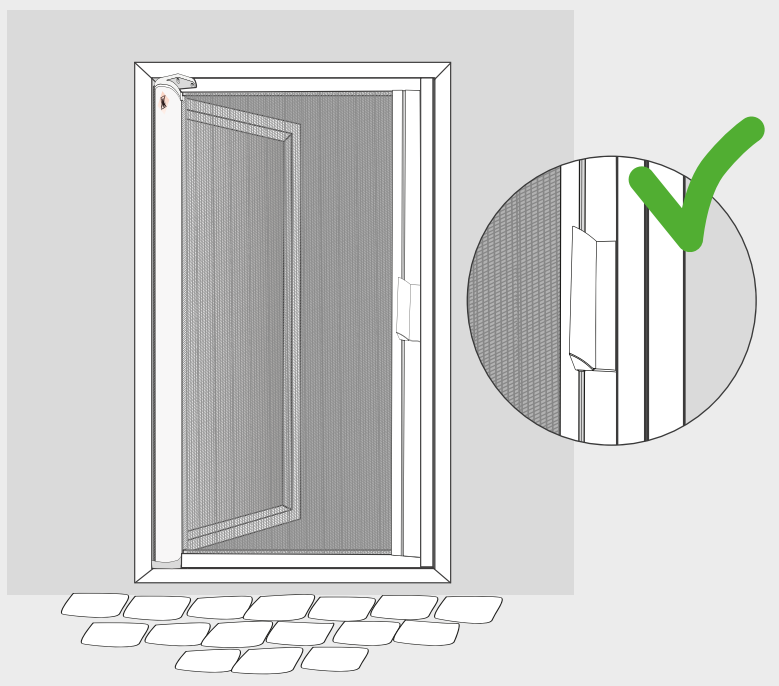
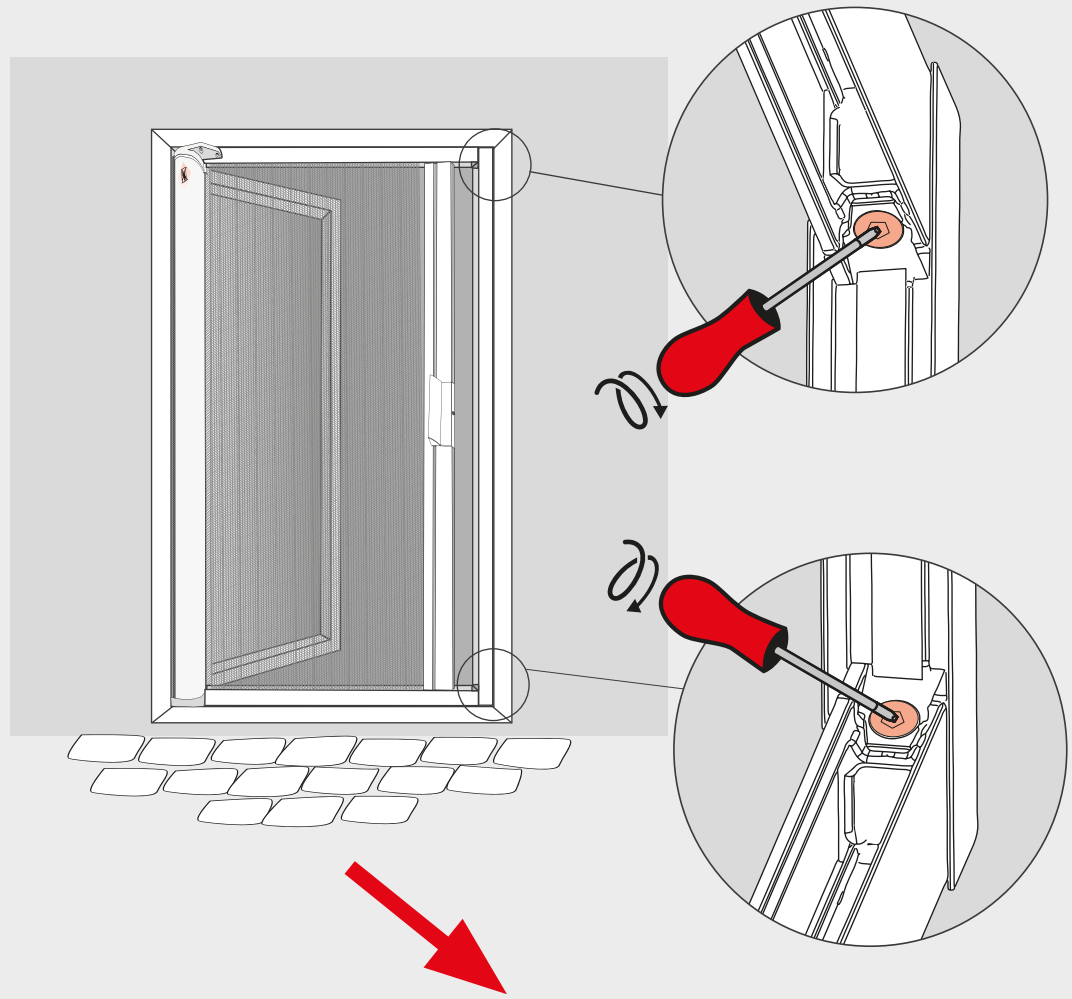
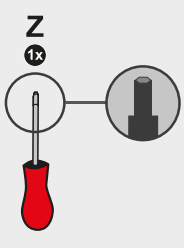


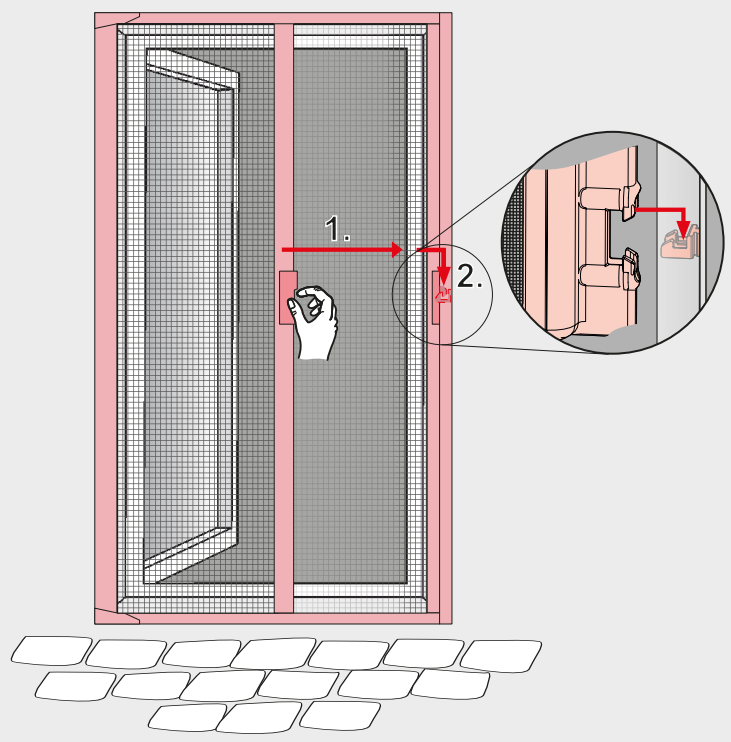
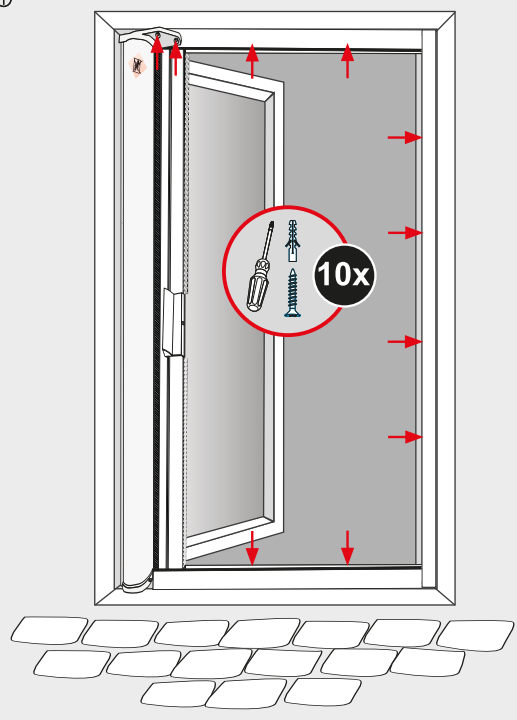
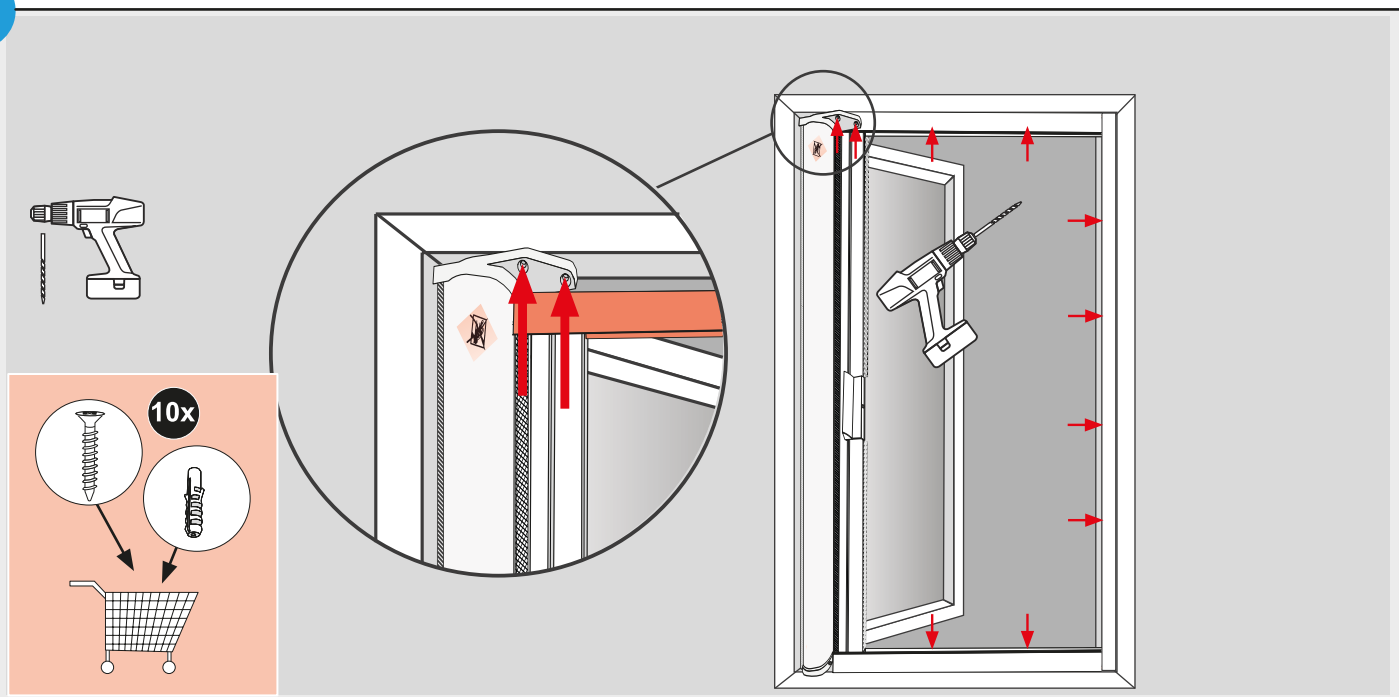
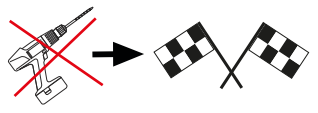
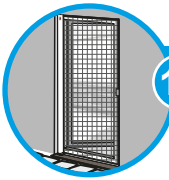
17

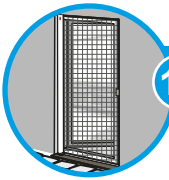




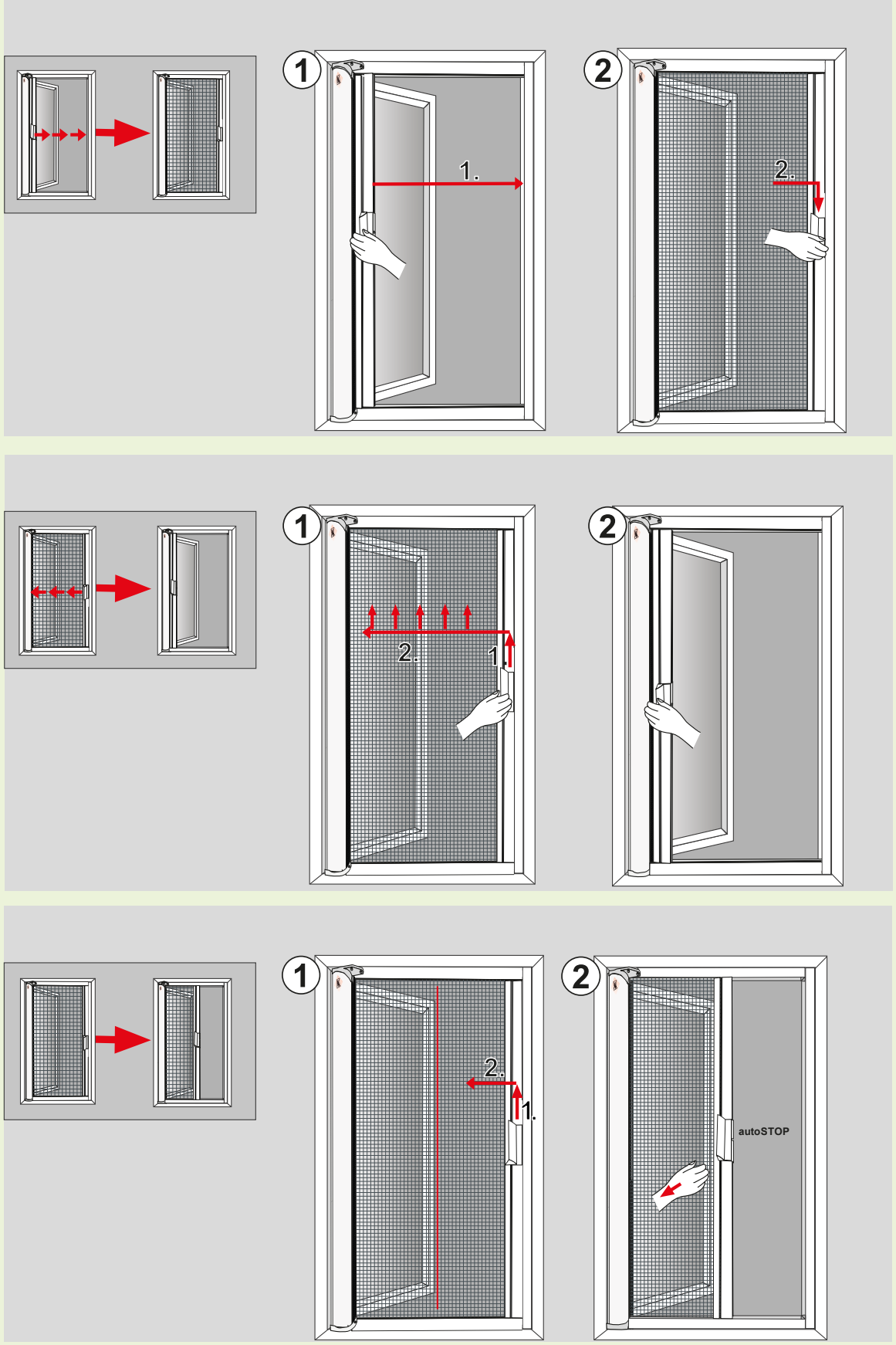












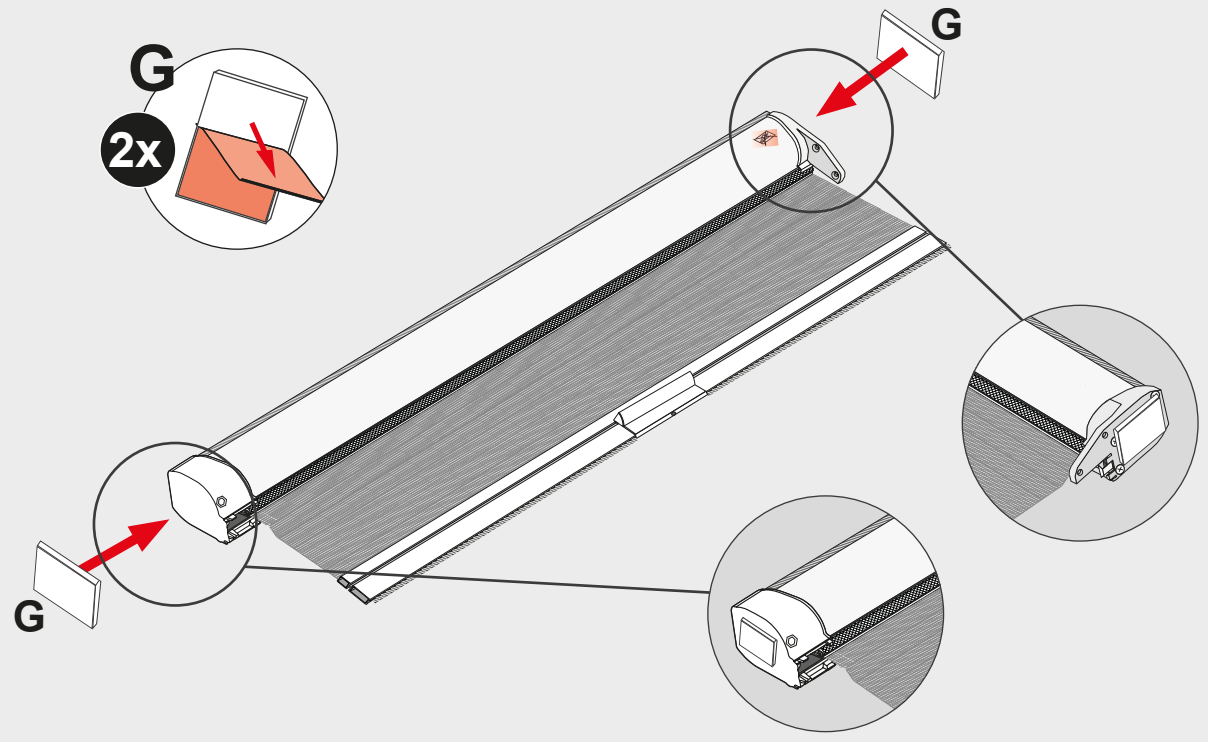
i



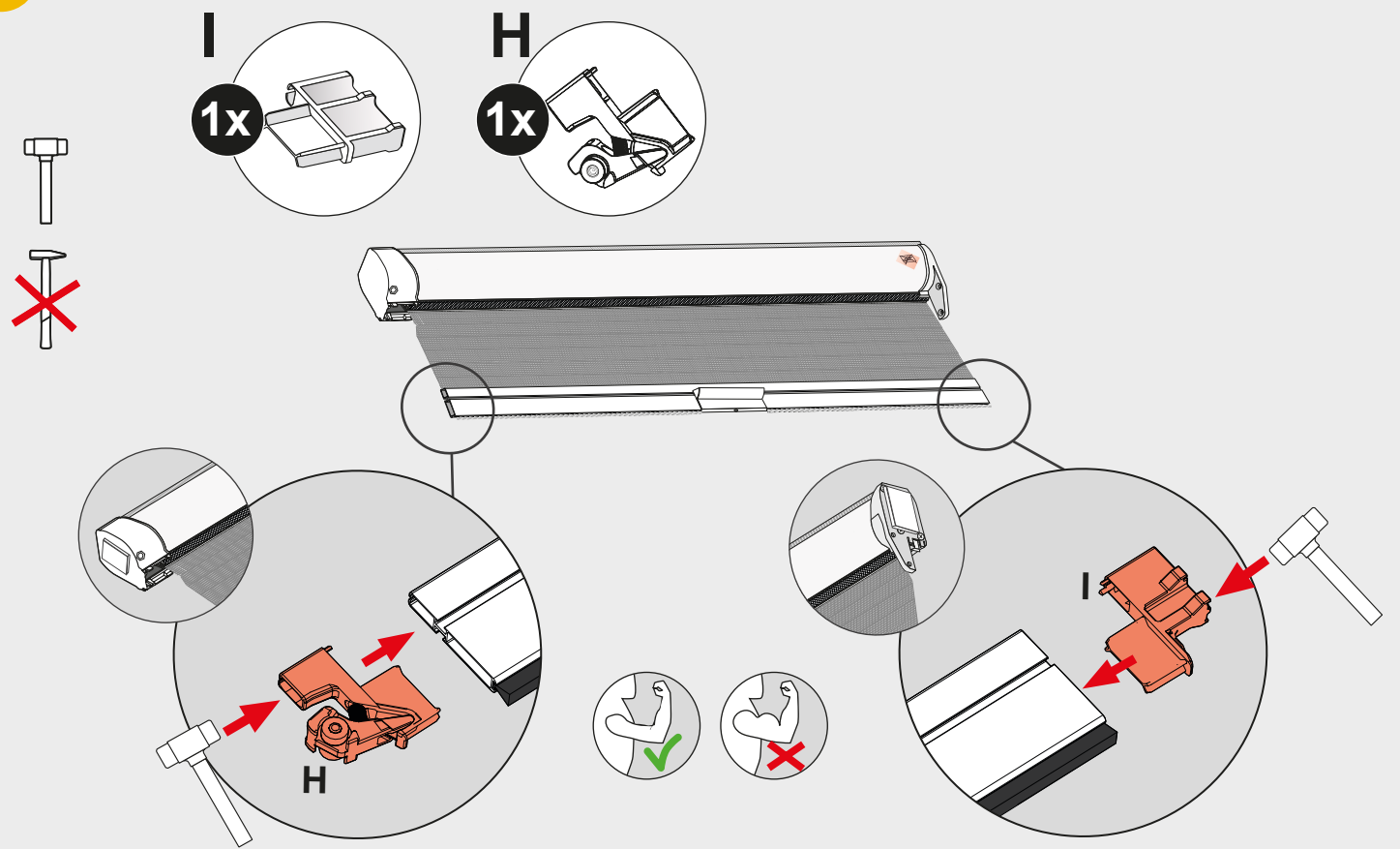


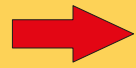
22



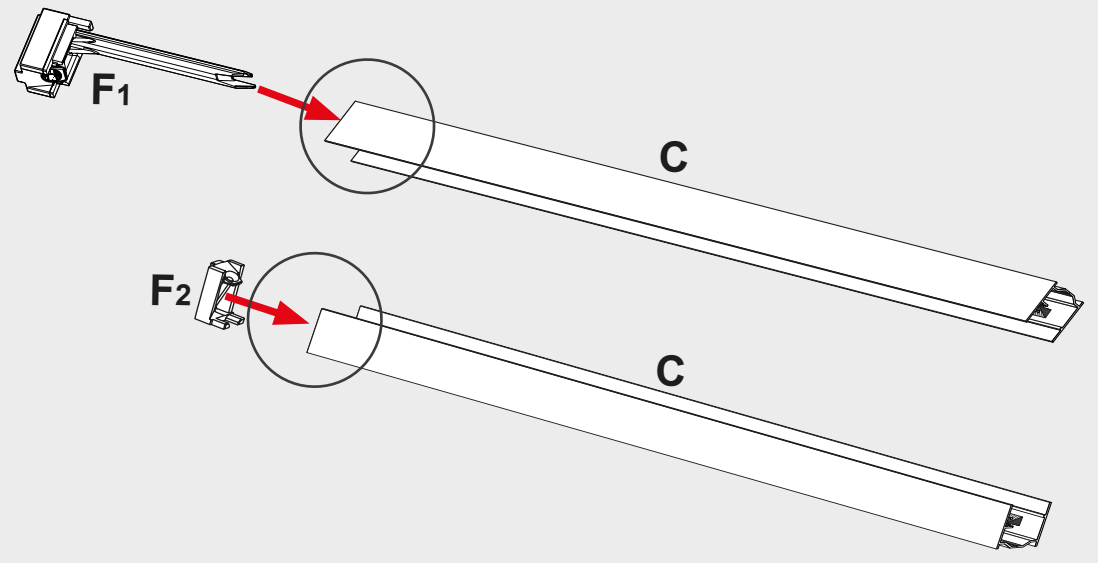
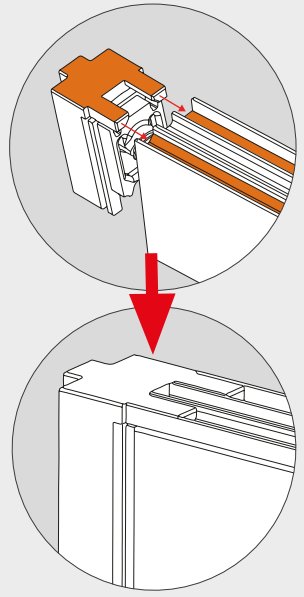
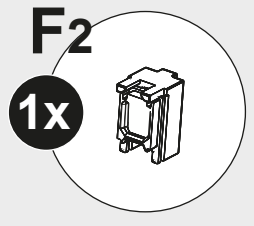
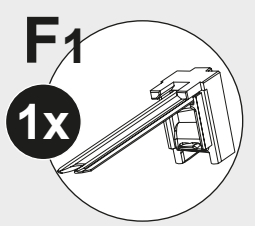
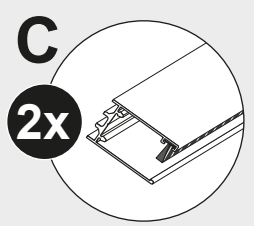
23



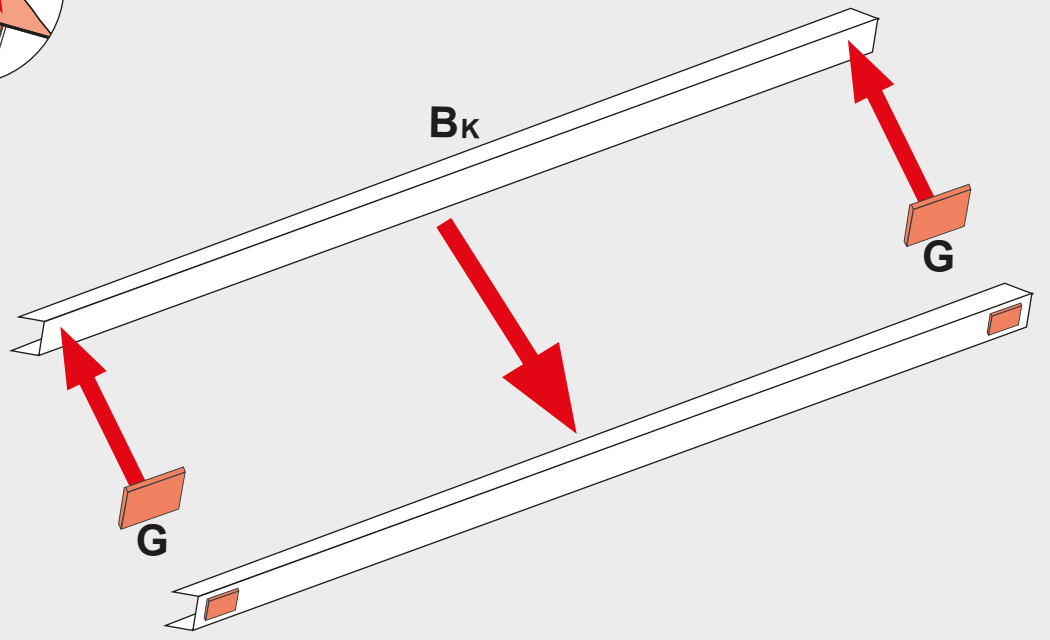
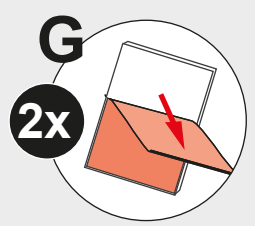
~~autoSTOP~~



24

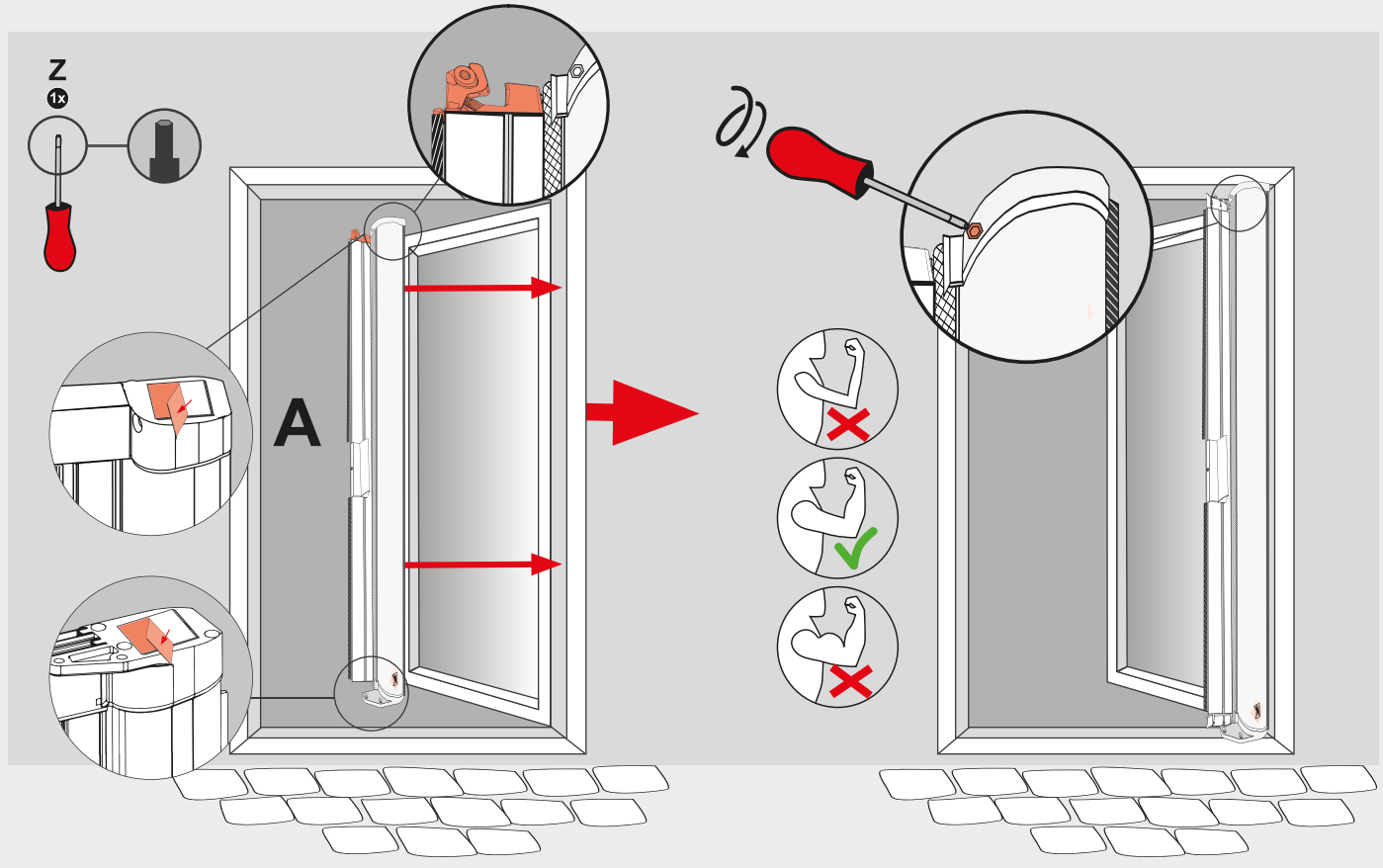


25

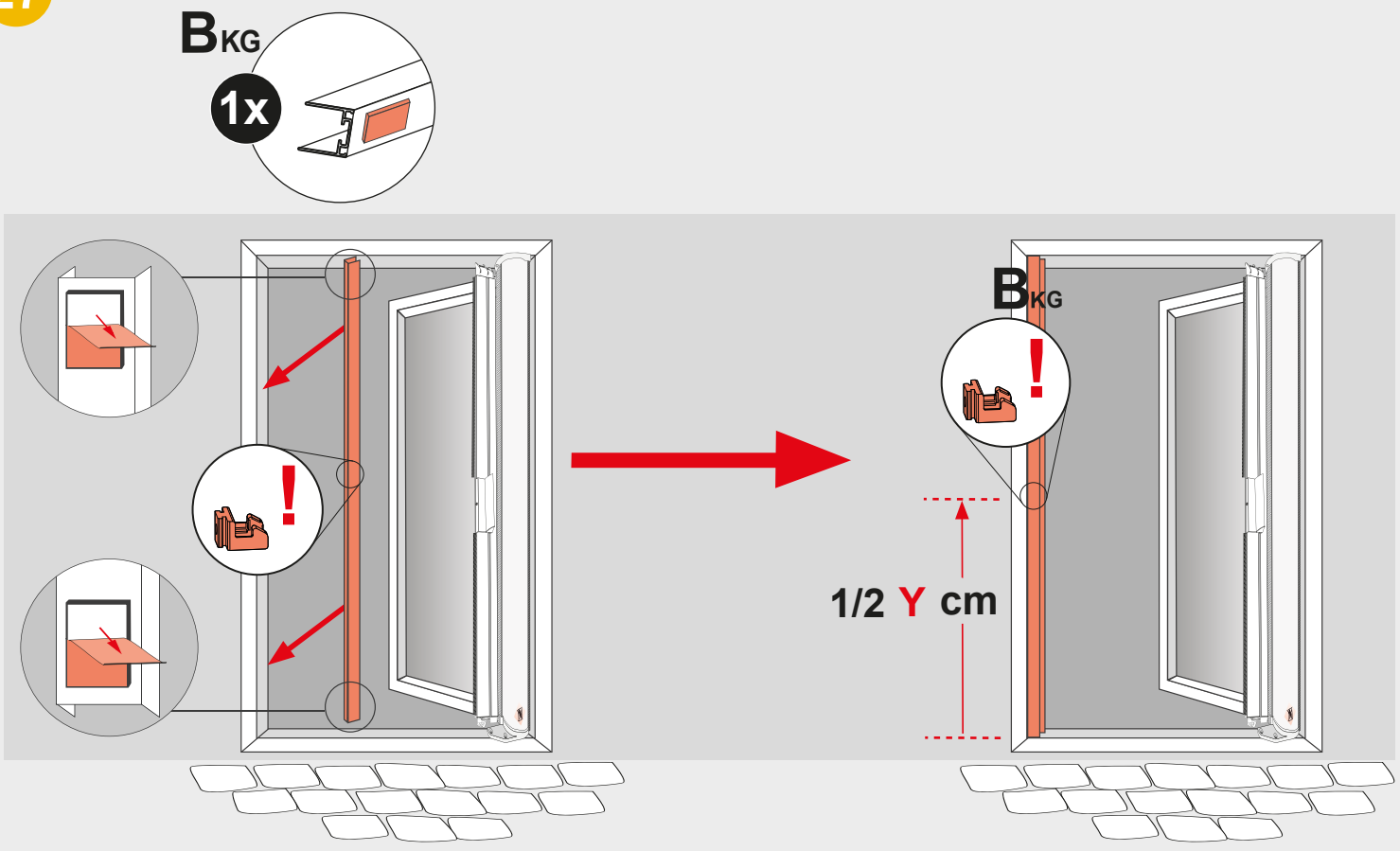


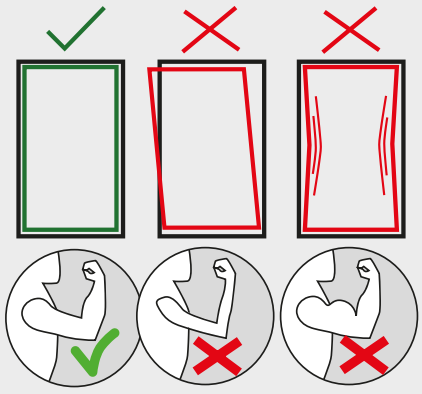
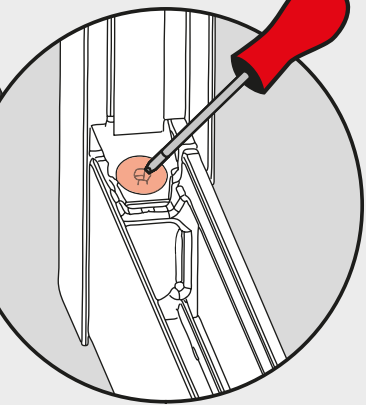
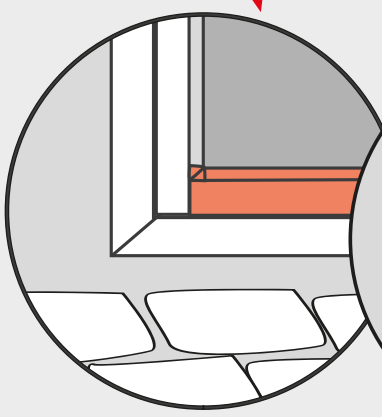
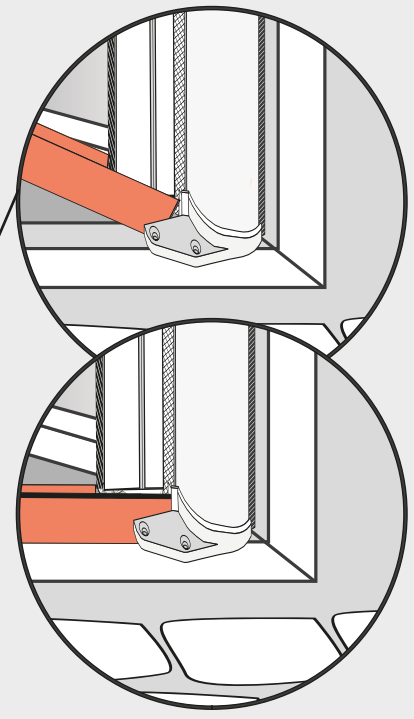
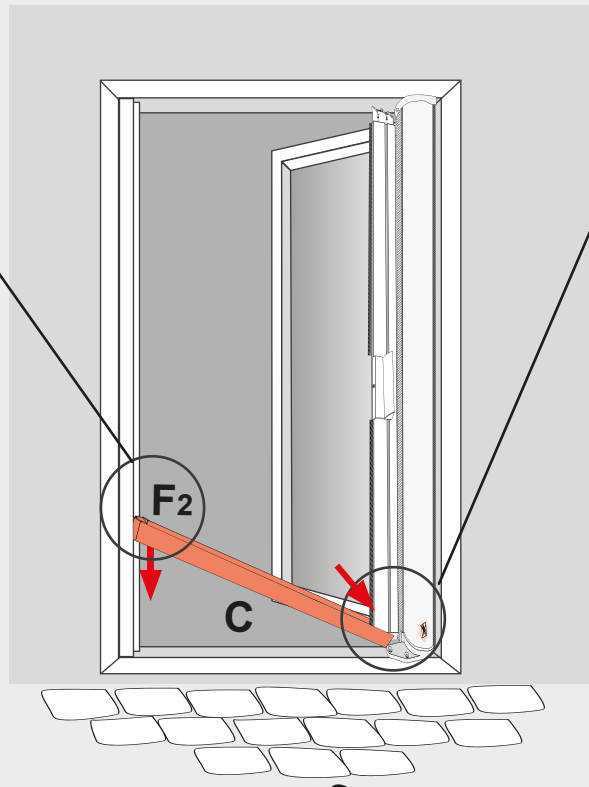
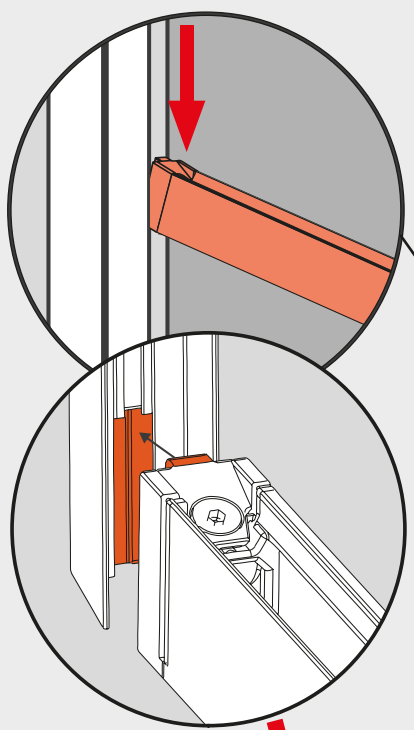
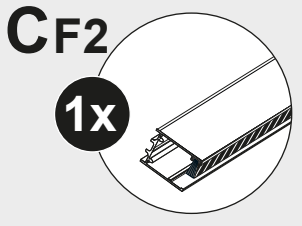
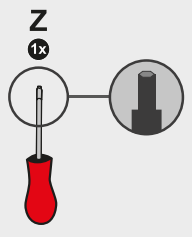


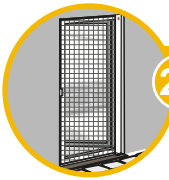
26



27

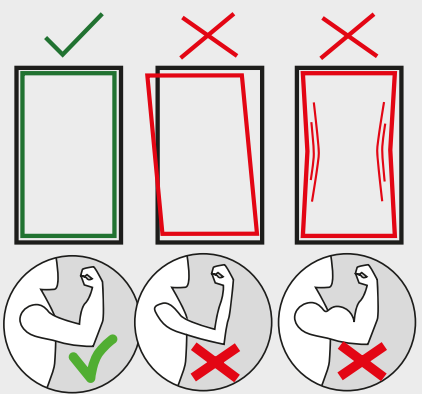
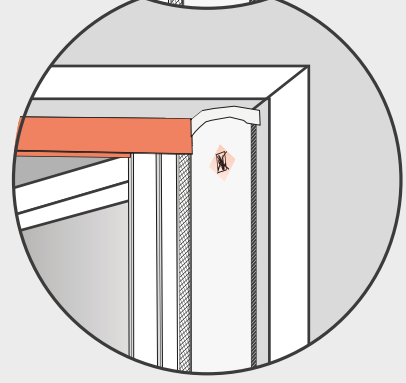
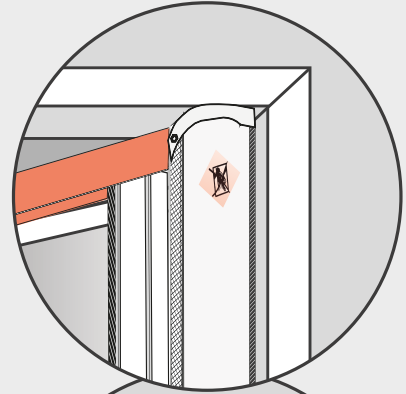
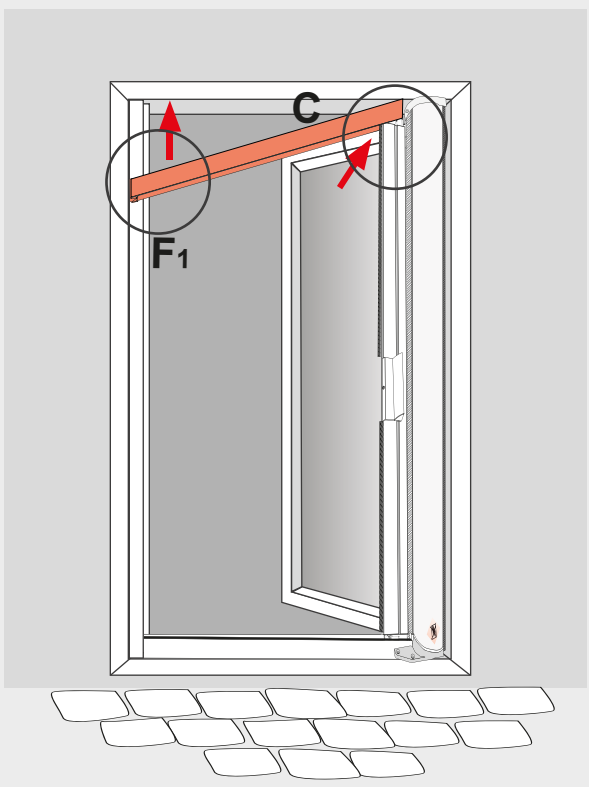
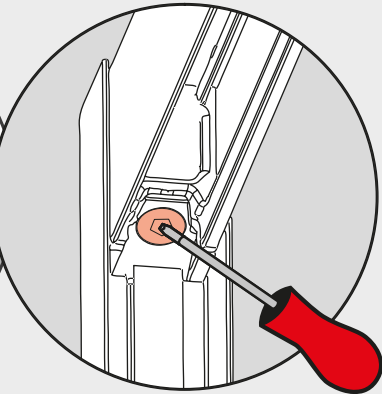
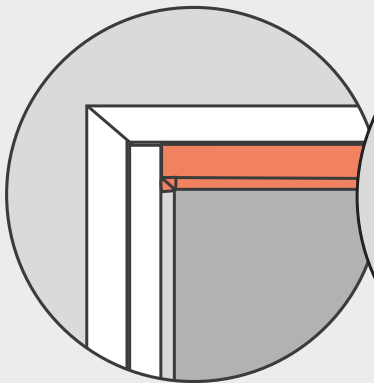
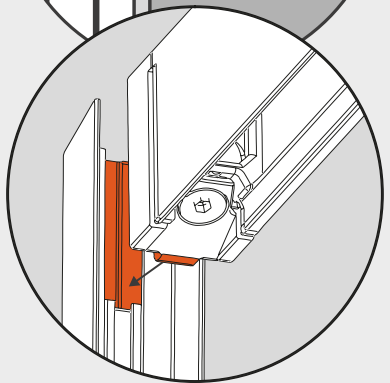
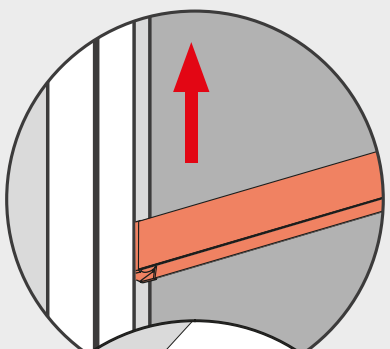
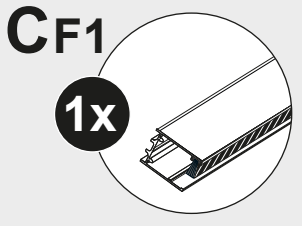
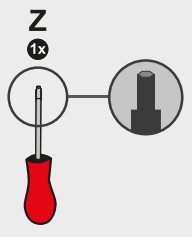






22 → 31

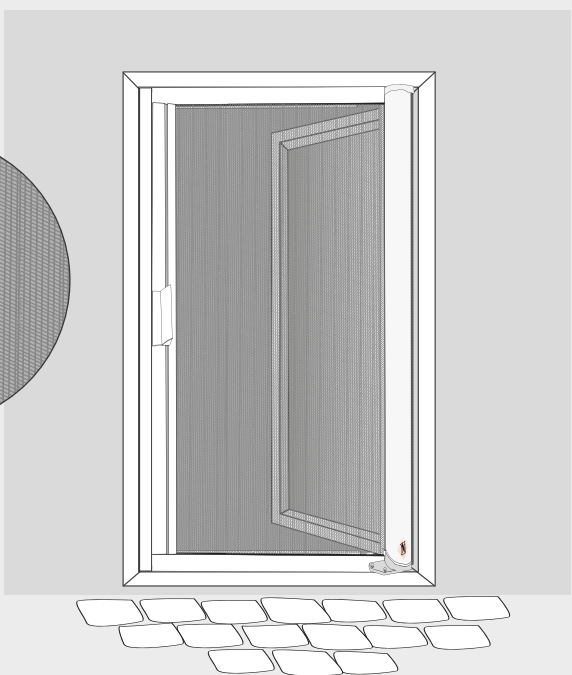
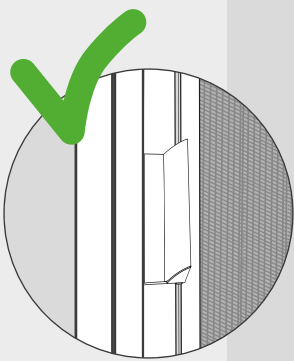
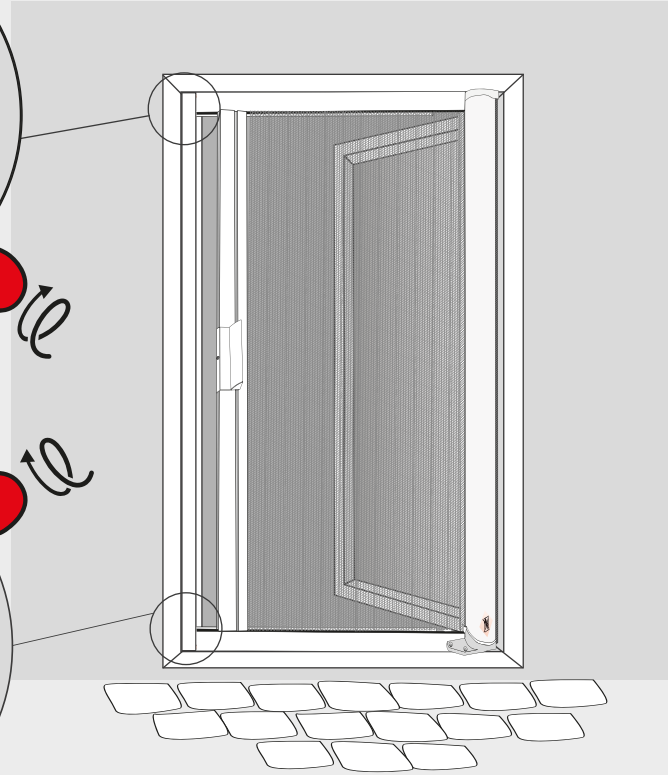
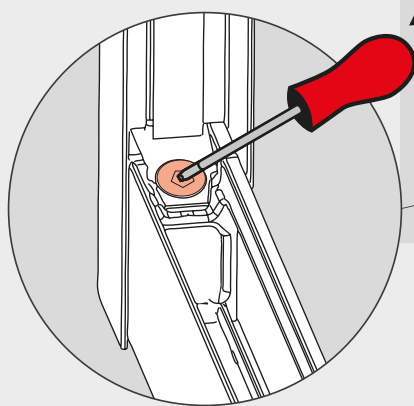
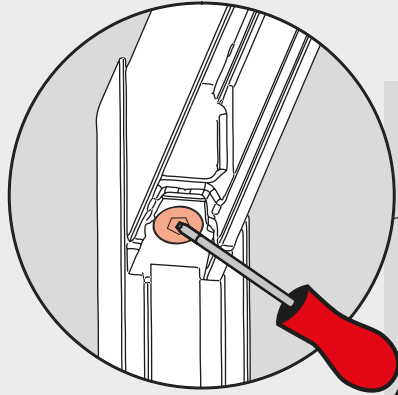
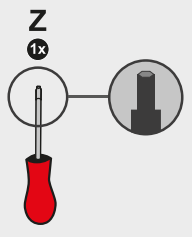
29

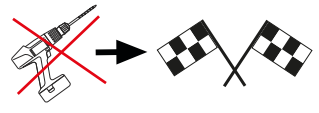




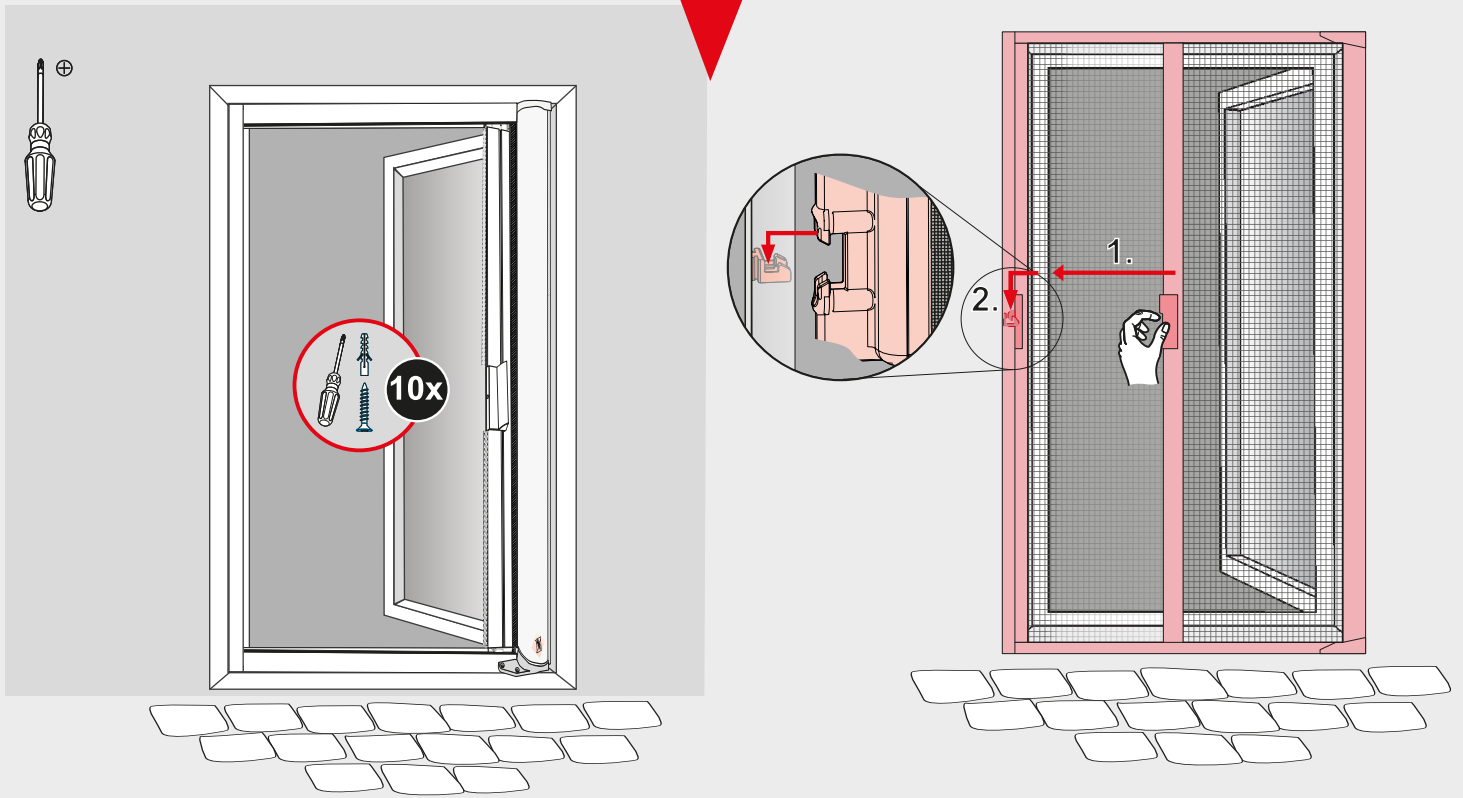
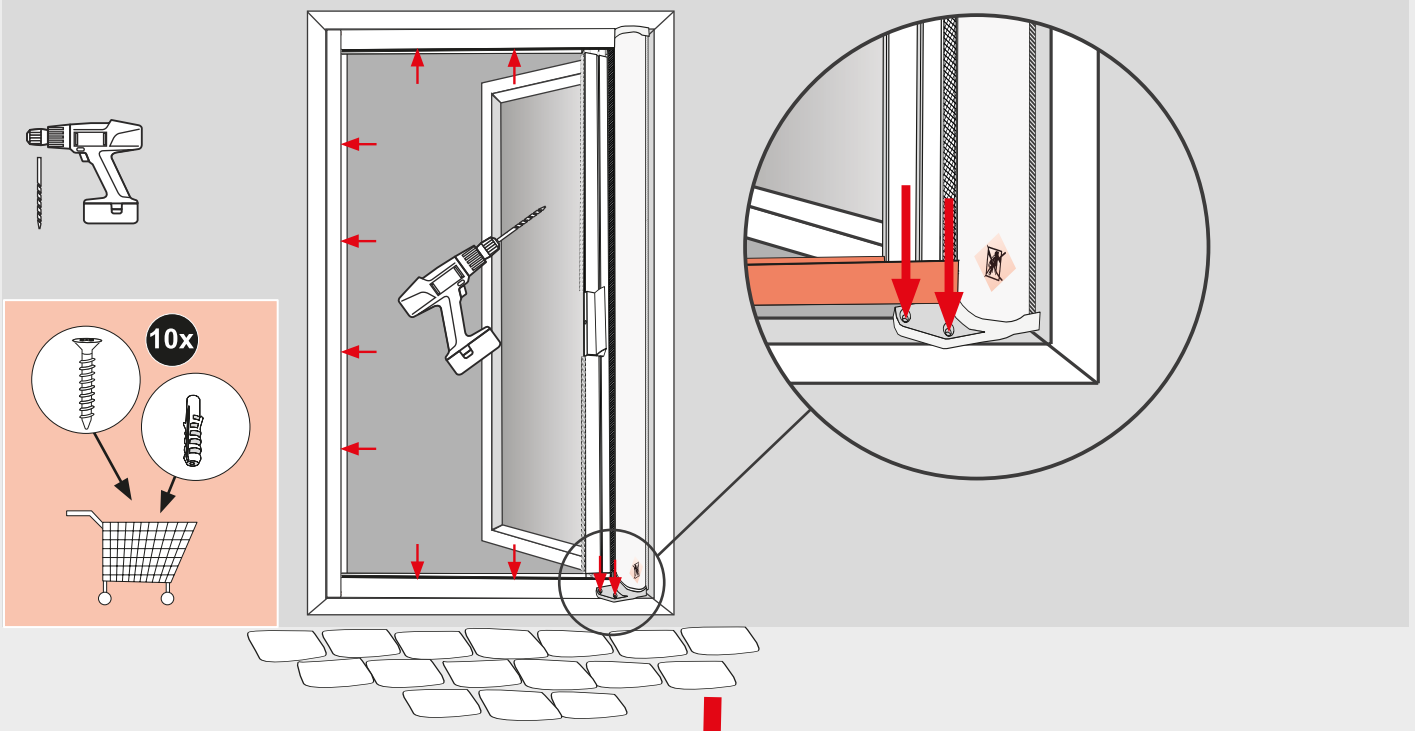
22 → 31

30

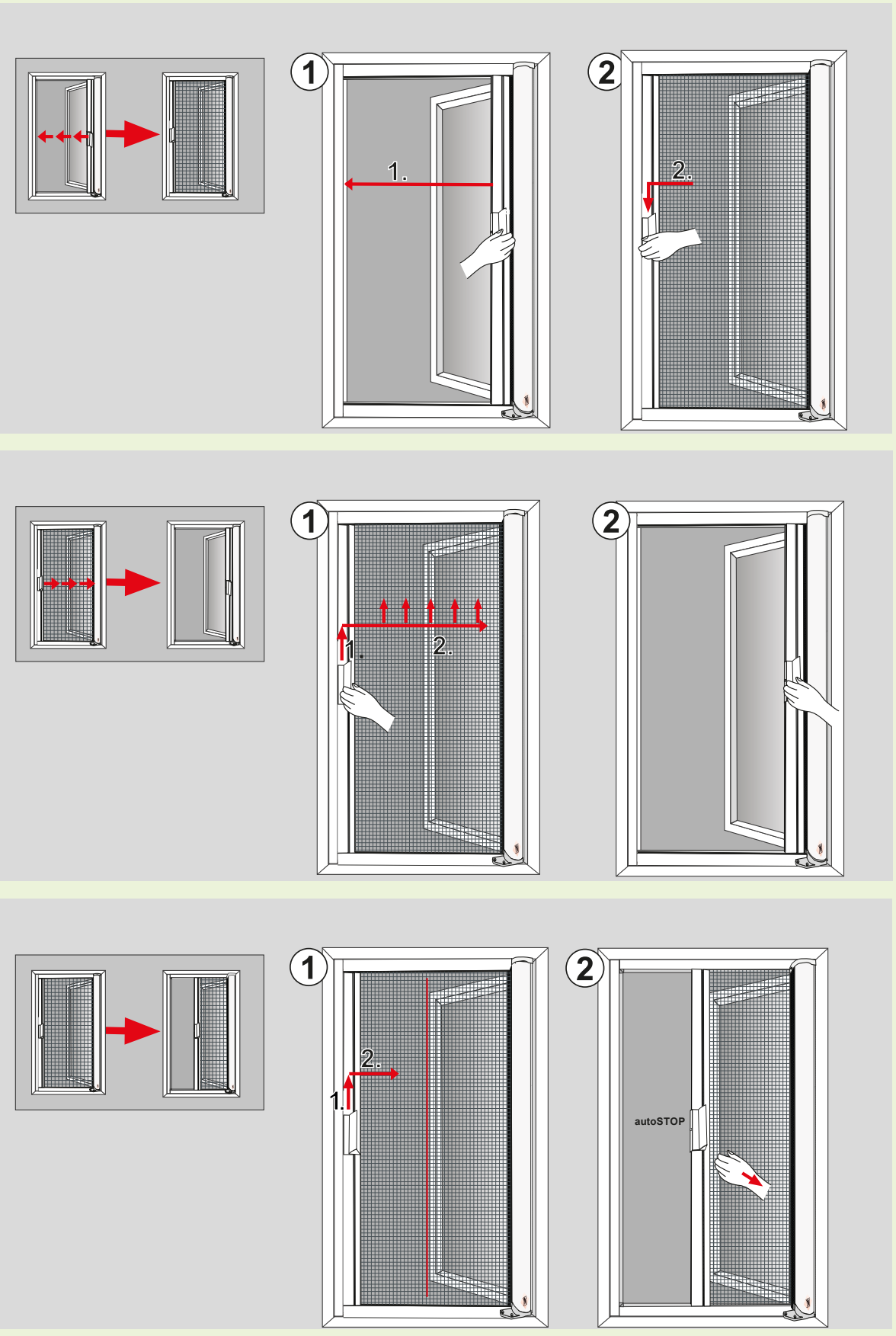




31

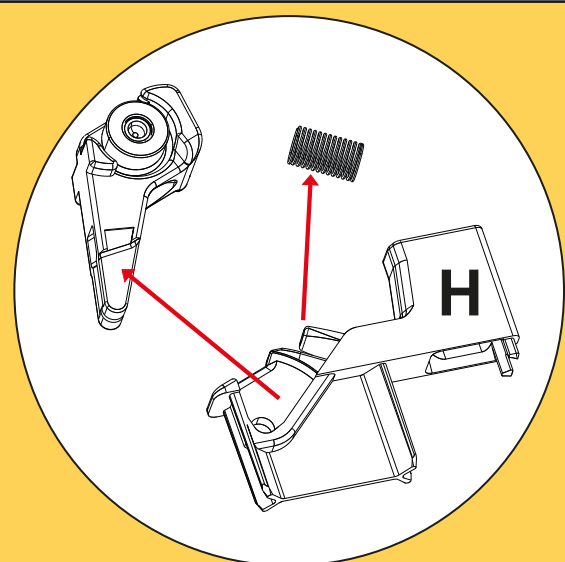
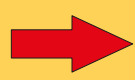
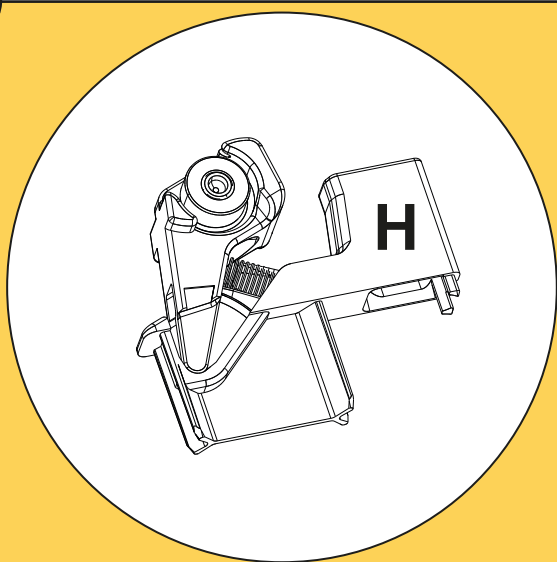


i

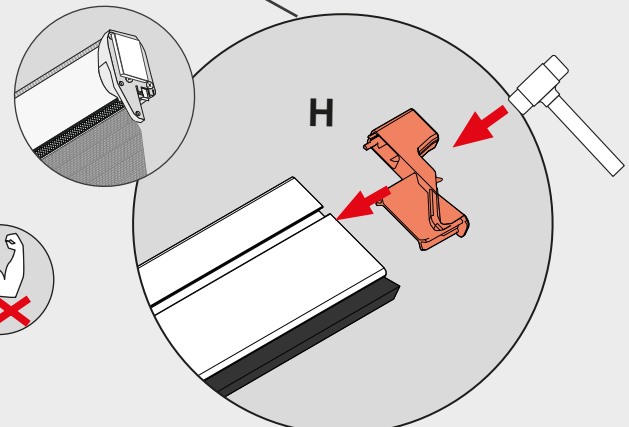
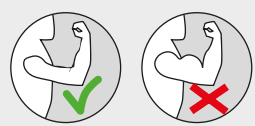
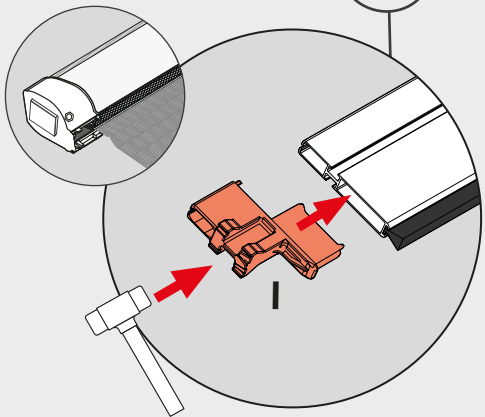
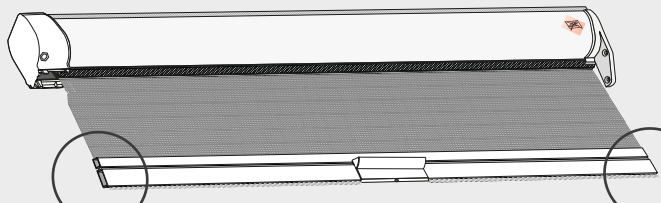
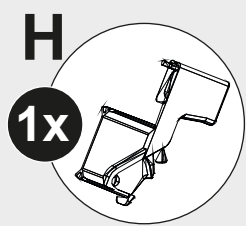
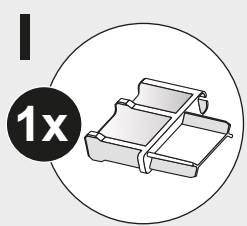
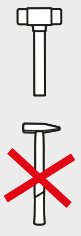




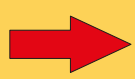
~~autoSTOP~~



13




~~autoSTOP~~ ✓

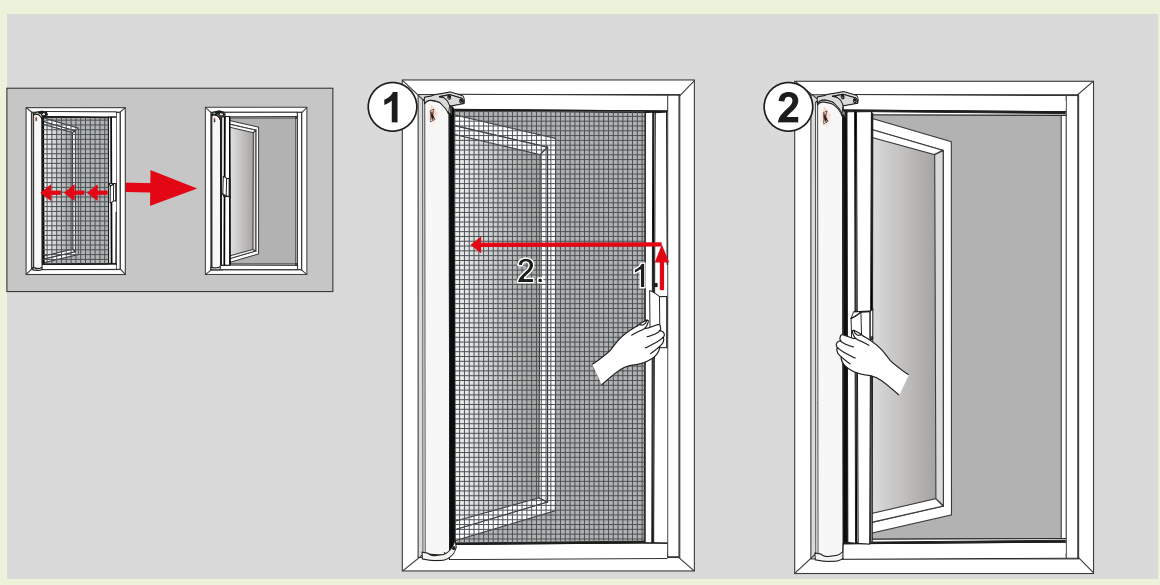
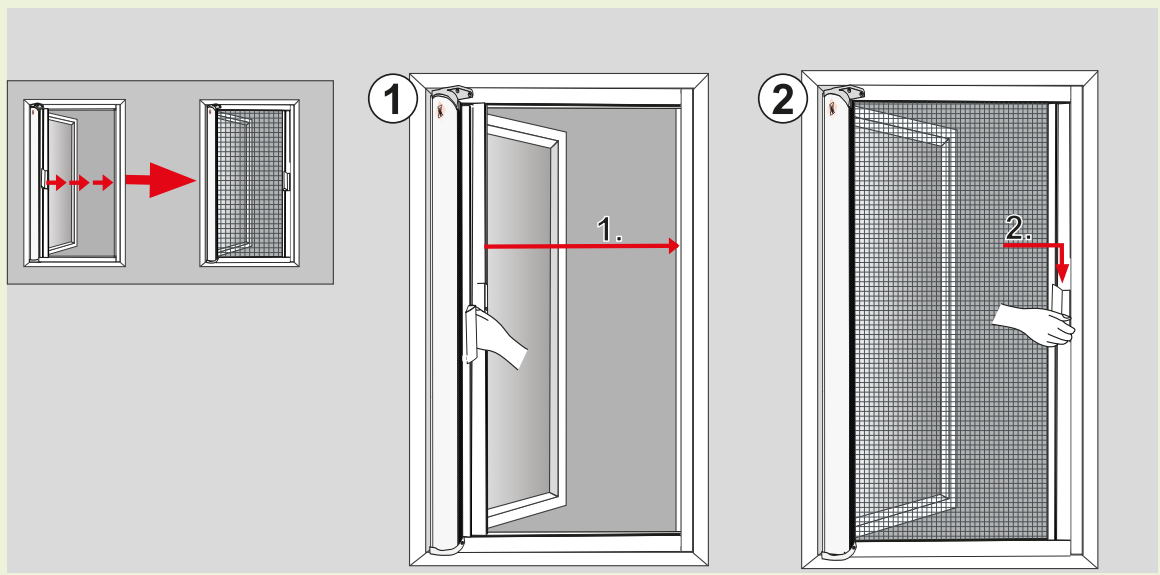


16



~~auto STOP~~ 

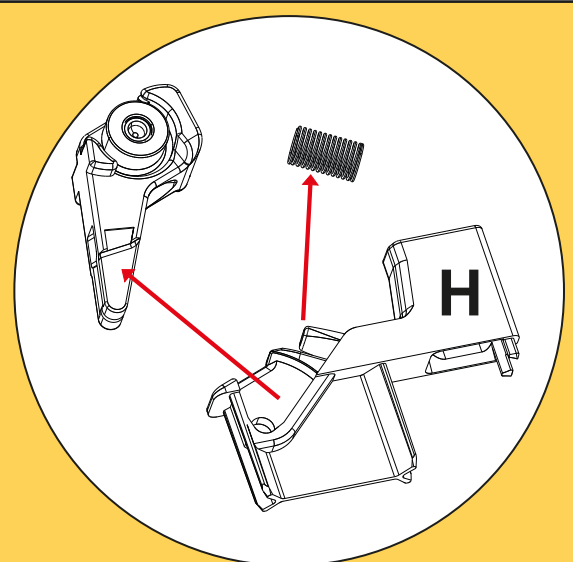
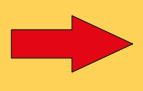
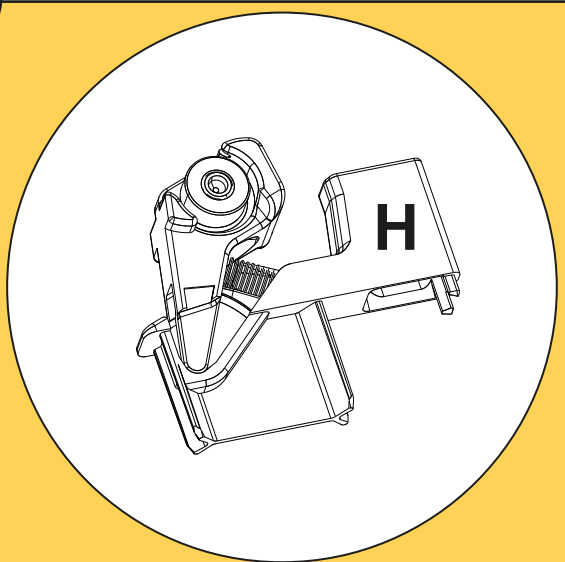
i



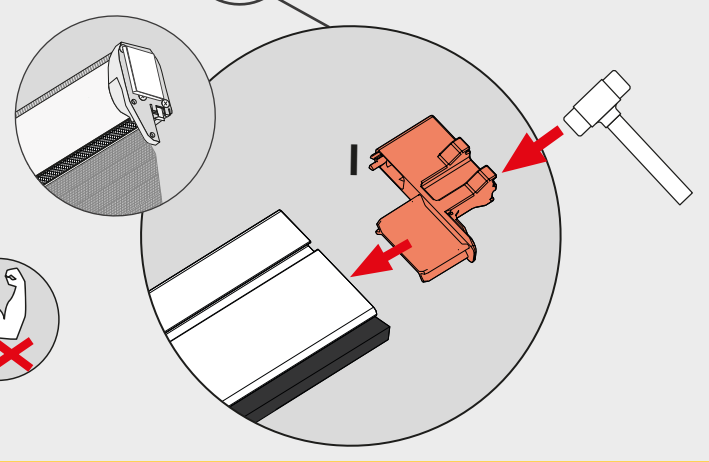
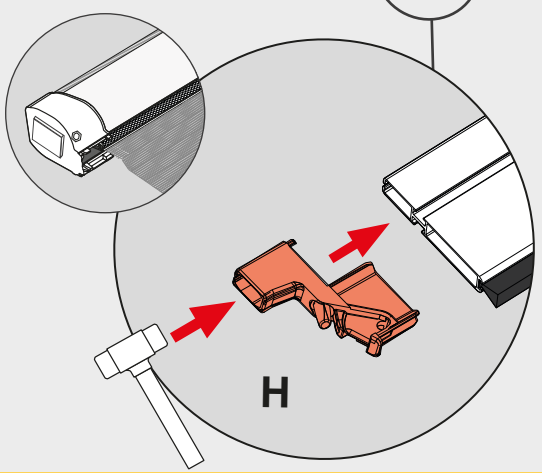
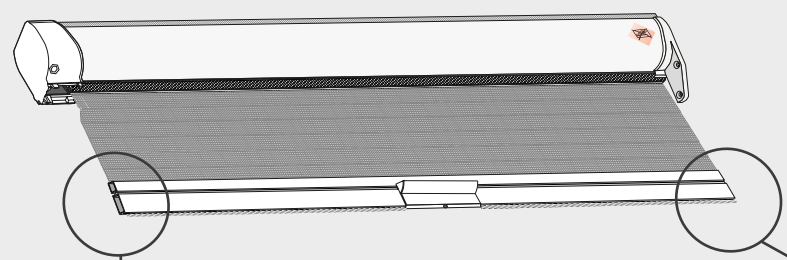
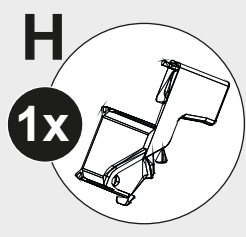
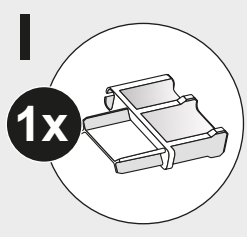




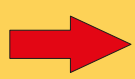
~~autoSTOP~~



23




~~autoSTOP~~

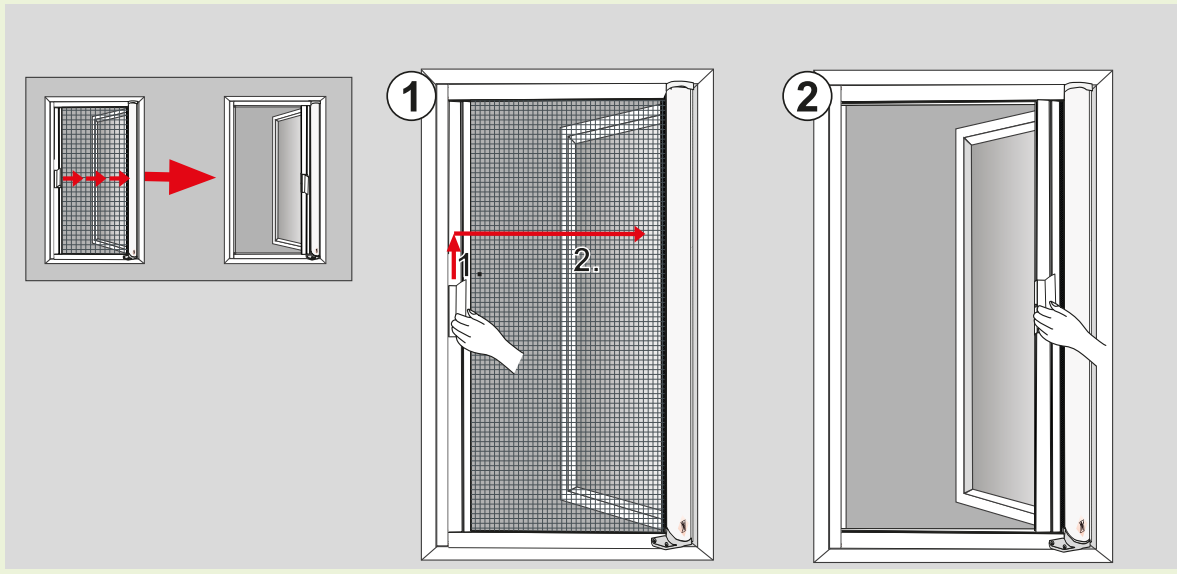
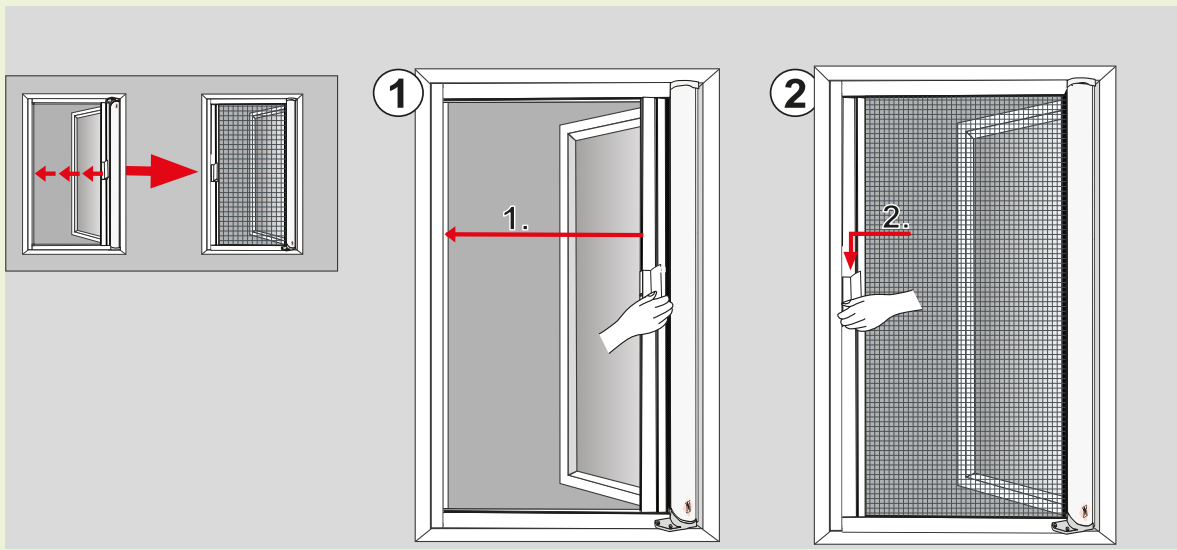


24



~~auto STOP~~ 

i



FR Si vous imprimez ce document, pensez à le trier !

