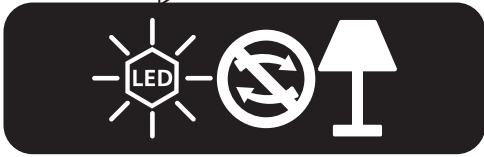
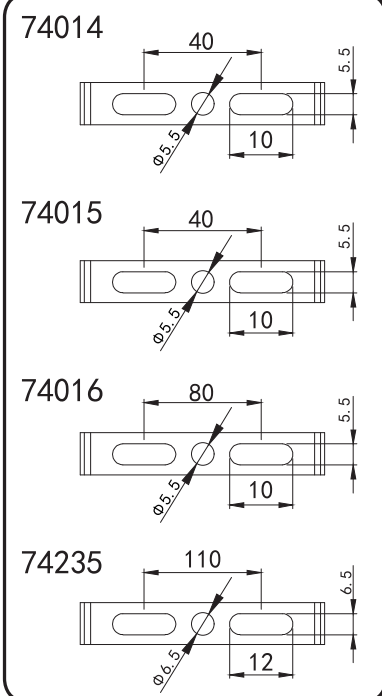
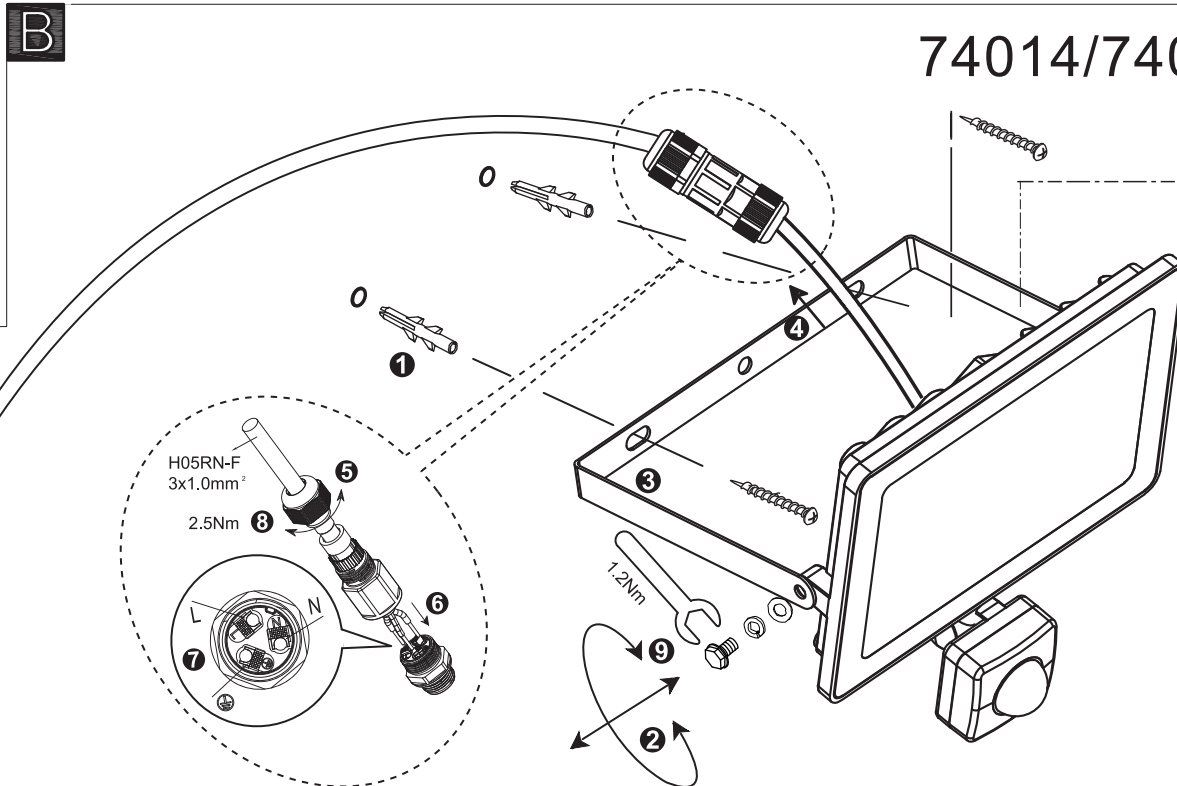
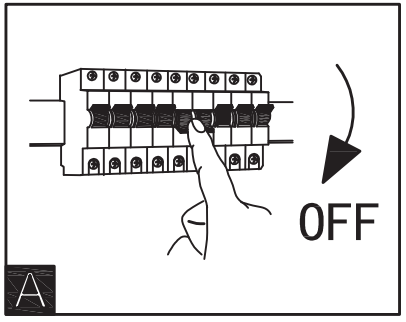
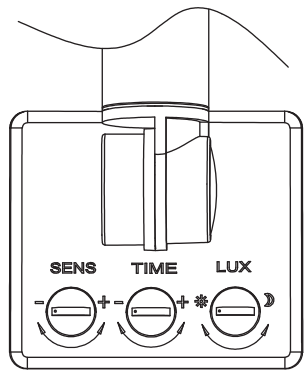
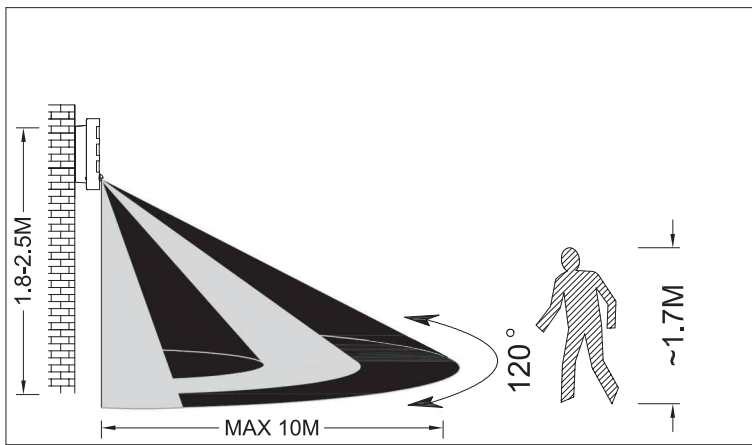


74014/74015/74016/74235



EGLO		Art.-Nr	Dimension(mm) L*W*H	Weight (kgs)	Mounting height(m)	Wind Catching Area(cm ²)
74014/74015/ 74016/74235		74014	92*112*52	0.16	≤ 5	103.04
IP65		74015	107*122*52	0.19	≤ 5	130.54
		74016	140*144*52	0.29	≤ 5	201.60
		74235	187*177*52	0.45	≤ 5	330.99



- SENS**
3M ± 2M - 10M ± 2M
- TIME**
8sec ± 2sec - 7min ± 2min
- LUX**
2000LUX - 5LUX

