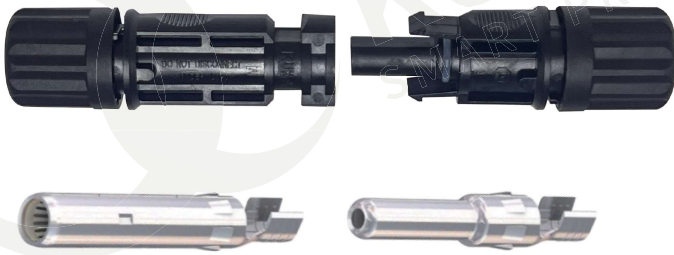
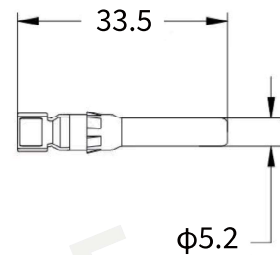
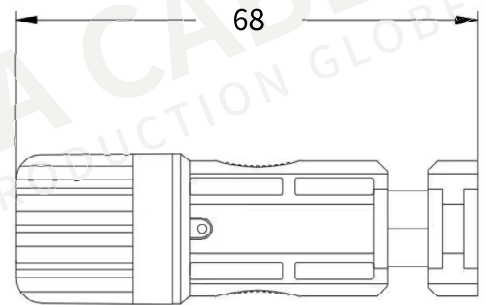
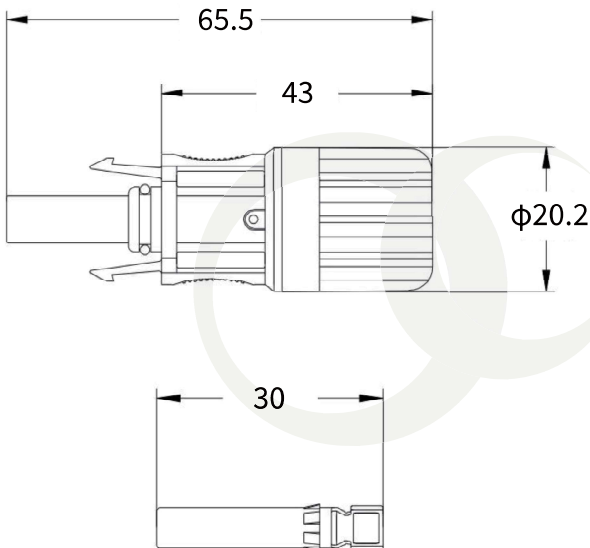


# Solar Connector

## Female and male cable coupler MC4



Unit: mm



### 01 | APPLICATION:

KUKA solar connectors are made of high-quality weather-resistant materials to ensure long-term reliability.

They can match cables from 2.5 mm<sup>2</sup> to 10 mm<sup>2</sup> and can be widely used in different applications. Low contact resistance and high current transmission capacity ensure high product efficiency. The connector has an IP68 waterproof rating and can be used in a wide operating temperature range of -40 °C to 85 °C.

### 02 | STANDARDS:



TUV



IEC 1500V



IEC62852



-40°C~85°C



UL94-V0



IP 68



UV Resistance

PARAMETER		
Model	KKMC1500-46	KKMC1500-10
Solar Cable Size	4mm <sup>2</sup> 6mm <sup>2</sup>	10mm <sup>2</sup>
Solar Cable Outer Diameter	5.5mm to 6.9mm	6.0mm to 8.0mm
Standard	IEC 62852	
Rate Current	35A for 4mm <sup>2</sup> 40A for 6mm <sup>2</sup>	50A for 10mm <sup>2</sup>
Rated Voltage	1500V DC	
Test Voltage	16KV (50Hz,1min)	8KV (50Hz,1min)
Structure	Not Lock	Lock
Terminal Type	U Type	O Type
Terminal Resistance	≤0.5 mΩ	≤5 mΩ
Terminal Material	CU, Tin Plated	CU, Silver Plated
Plastic	PPO (All New)	
Waterproof Level	IP68	
Flame Retardant	UL94-V0	
Operating Temp	-40°C to +85 °C	-40°C to +110 °C
Pollution Index	CAT II	
Protection Class	II	



**KUKA CABLE**  
 SMART PRODUCTION GLOBE