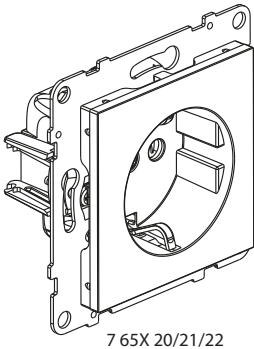
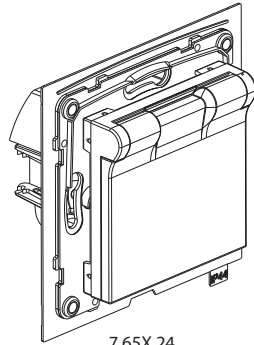


SEANO™
Socket outlets - German Standard

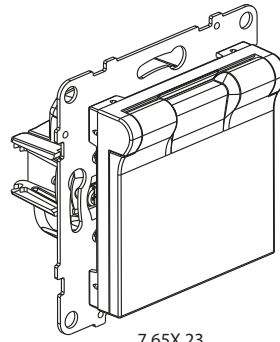
Cat. No(s): 7 65X 20/21/22/23/24



7 65X 20/21/22



7 65X 24



7 65X 23

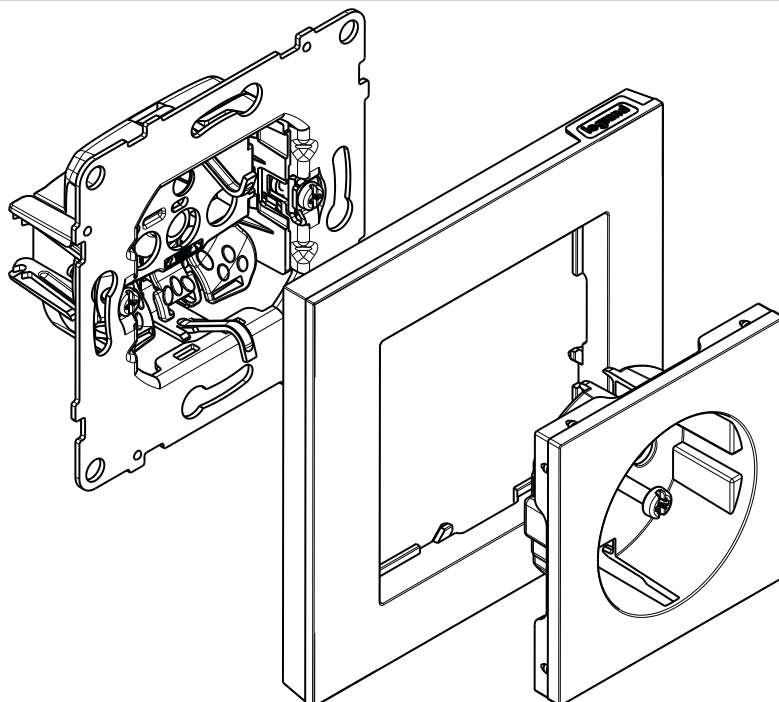
1. USE

Socket outlets with or without shutters.
 Flush-mounting.
 Screw and/or claw fixing.

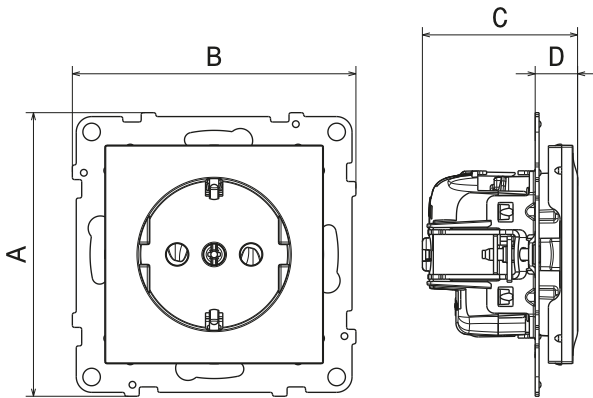
2. RANGE

SOCKET OUTLETS WITHOUT SHUTTERS:	White	Aluminum	Black	Dark Grey	Green	Red	Yellow	Orange
2P+E socket auto terminal	7 651 21	7 652 21	7 653 21	7 654 21				
SOCKET OUTLETS WITH SHUTTERS:	White	Aluminum	Black	Dark Grey	Green	Red	Yellow	Orange
2P+E socket auto terminal	7 651 20	7 652 20	7 653 20	7 654 20	7 652 22	7 651 22	7 653 22	7 654 22
IP44 2P+E socket auto terminal	7 651 24	7 652 24	7 653 24	7 654 24				
IP21 2P+E socket auto terminal	7 651 23	7 652 23	7 653 23	7 654 23				
2P+E socket screw terminal tamperproof						7 650 22		

3. DISMANTLING



3. DIMENSIONS (mm)



References	A	B	C	D
7 65X 20/21/22	72,9	72,9	39,6	10,6
7 650 22	72,9	72,9	40	11
7 65X 24	81,25	81,25	48,3	19,75
7 65X 23	72,9	72,9	48	19

5. CONNECTION

Flexible or rigid cables compatible.

Auto terminal
terminal capacity: 6 x 2.5mm²
Stripping length: 13 mm

Screw terminal
terminal capacity: 2 x 2.5 mm²
Stripping length: 13 mm

6. TECHNICAL CHARACTERISTICS

■ 6.1 Mechanical characteristics

Protection against solid bodies and liquids:

IP20	7 65X 20	7 65X 21	7 65X 22	7 650 22
IP21	7 65X 23			
IP44	7 65X 24			

Protection against impact: IK04

■ 6.2 Material characteristics

Polygloss appearance

Colour molded:

- White RAL 9003
- Green RAL 6016
- Red RAL 3020
- Yellow RAL 1023
- Orange RAL 2003

Matt colour painted:

- Aluminum RAL9023
- Black RAL 9017
- Dark grey RAL9016

Material:

- Plate ABS
- Socket covers: Polycarbonate

- Halogen-free
- UV resistant

Self-extinguishing:
850°C/30 s for installing components holding live parts in place
650°C/30 s for other insulating components

■ 6.3 Electrical characteristics

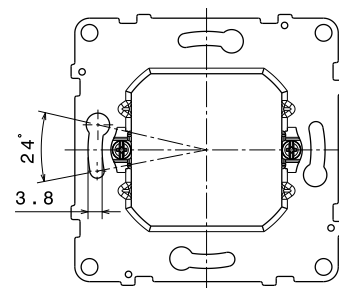
Voltage: 250 V~
Current: 16 A
Frequency: 50/60 Hz

■ 6.4 Climatic characteristics

Usage temperature: -5°C to +35°C
Storage temperature: -10°C to +70°C

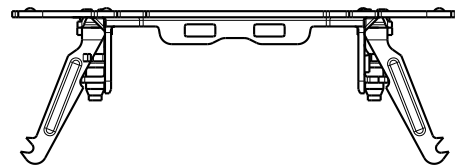
■ 6.5 Support

Material of support: -Metal
Angular adjusting:



■ 6.6 Fixing with claws

Number of turns to open the claws:
- 58 mm > 2,1 turns
- 65 mm > 2,75 turns



■ 6.7 Cover fixing

Fixing with screw maximum 1 Nm tightening

7. MAINTENANCE

Surface cleaning with a cloth.

Do not use:

Acetone, tar remover, trichloroethylene.

Maintenance with the following products:

Hexane (EN 60669-1), Methylated spirit, Soapy water, Diluted ammonia, Bleach diluted to 10%, Window-cleaning products.

Caution: Always test before using other special cleaning products.

8. STANDARDS AND APPROVALS

Compliant with installation and manufacturing standards.
Refer to e-catalogue.