

HAAS
+
SOHN

Tirol 343.15

Equipment sheet
Fireplace stove

GB

Notes in the text



Of utmost importance there are the notes entitled **WARNING**. The notes entitled **WARNING** advise you on **serious danger of damage to the heating device or of an injury**.



The note entitled **Notice** advises you on possible damage to your heating device.



The note entitled **Important** calls your attention to the information important for the operation of your heating device.



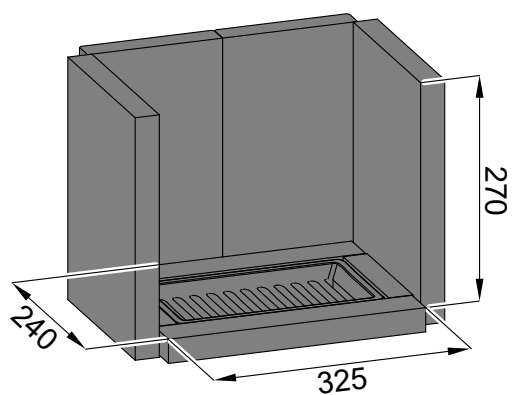
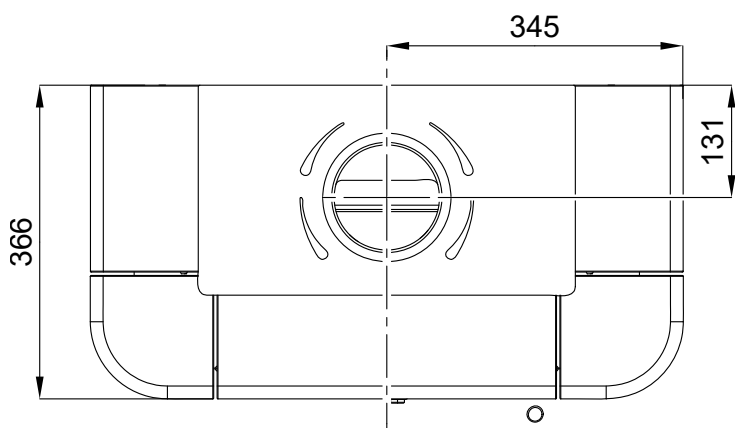
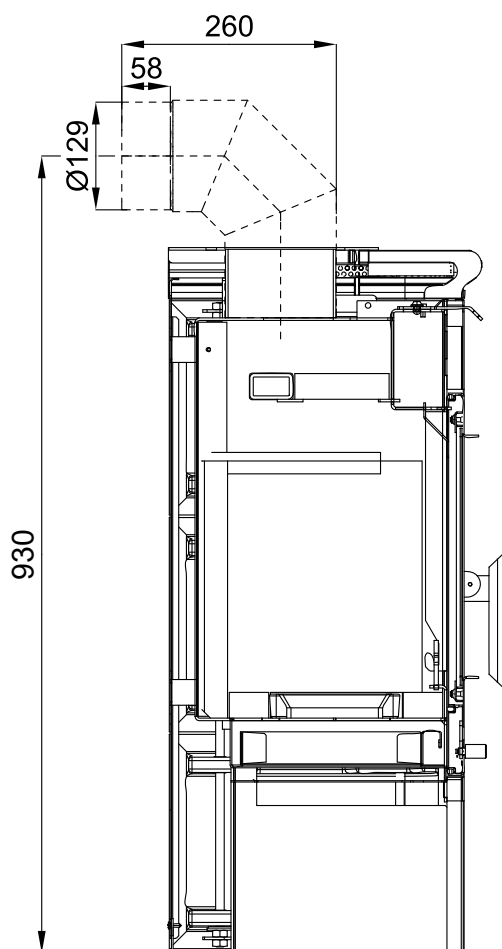
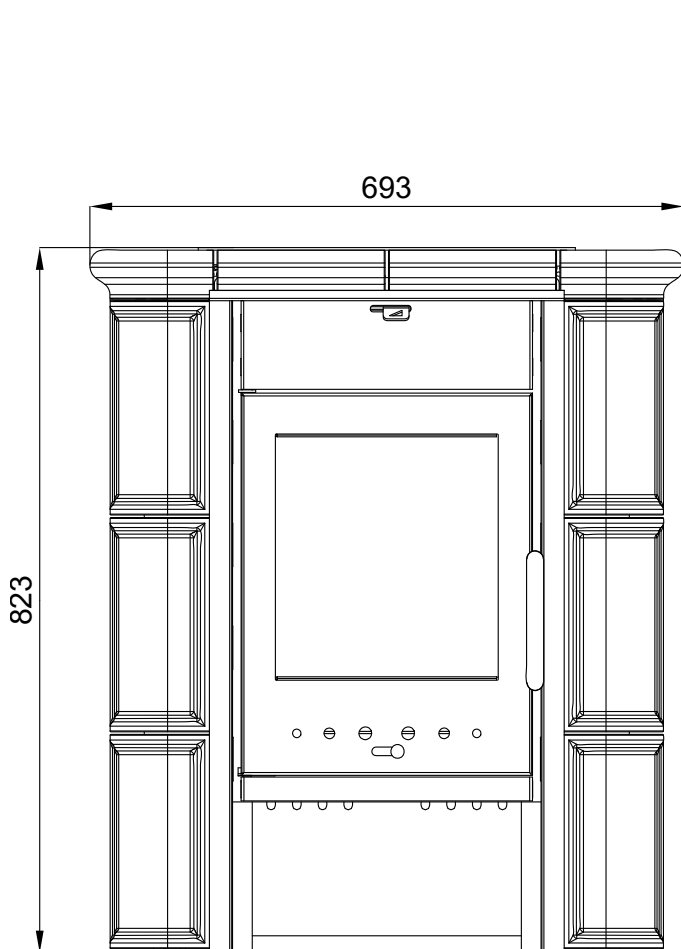
The note itself calls your attention to the information important for the operation of your heating device in general.

Contents

1. Fireplace stove dimensional drawing	1
1.1. Tirol 343.15 green, cream.....	1
1.2. Tirol 343.15 green-white, brown-white	2
2. Overview of spare parts - Tirol 343.15 green, cream	3
2.1. Whole emplacement.....	3
2.2. Detail A1	5
3. Overview of spare parts - Tirol 343.15 green-white, brown-white	6
3.1. Whole emplacement.....	6
3.2. Detail A1	8

1. Fireplace stove dimensional drawing

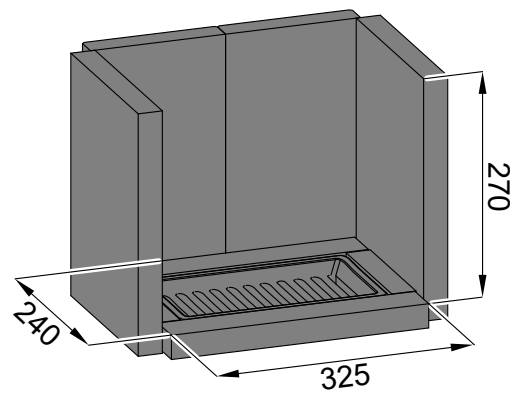
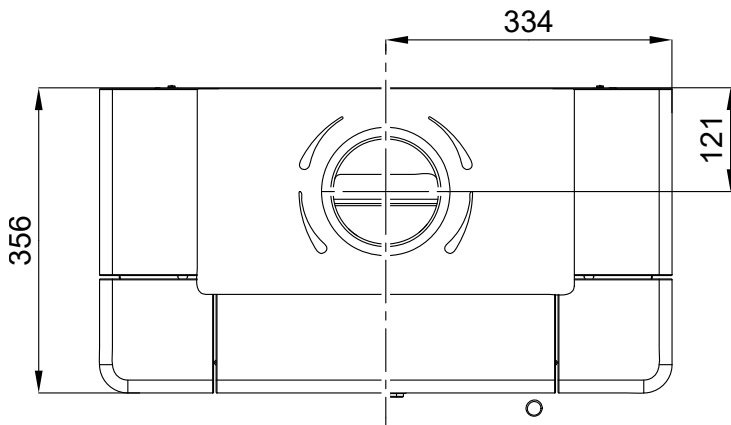
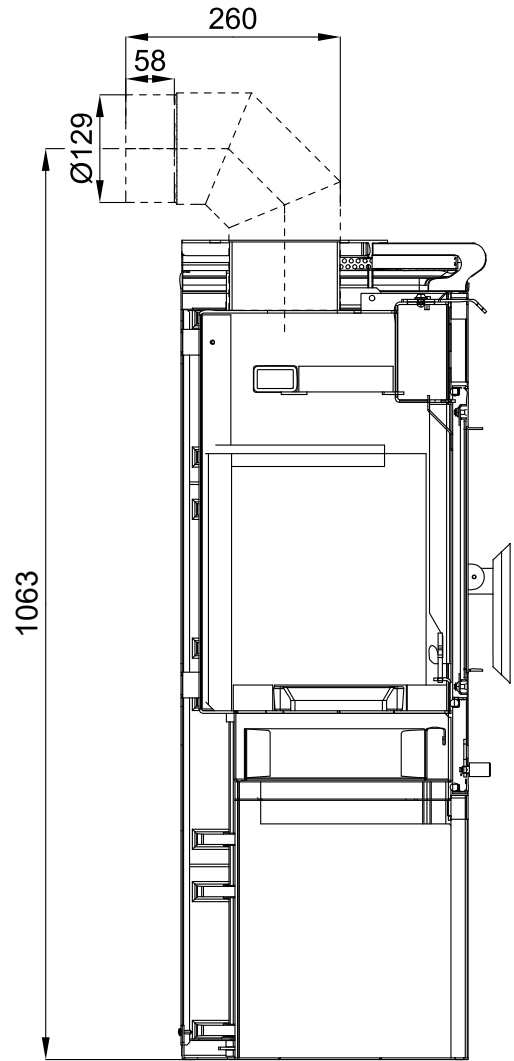
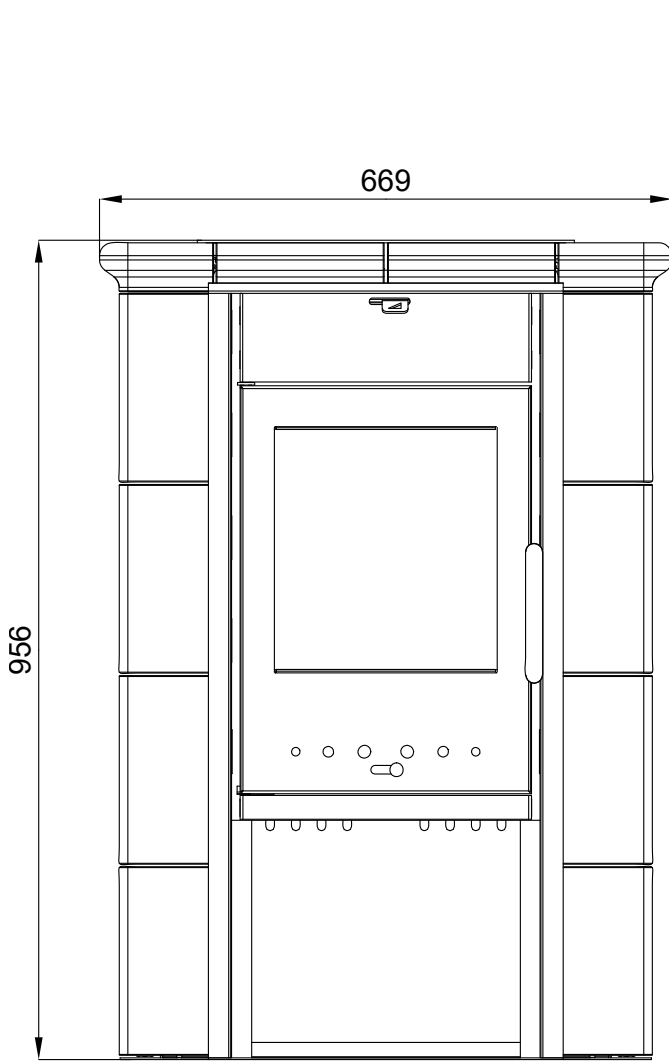
1.1. Tirol 343.15 green, cream



1.2. Tirol 343.15 green-white, brown-white

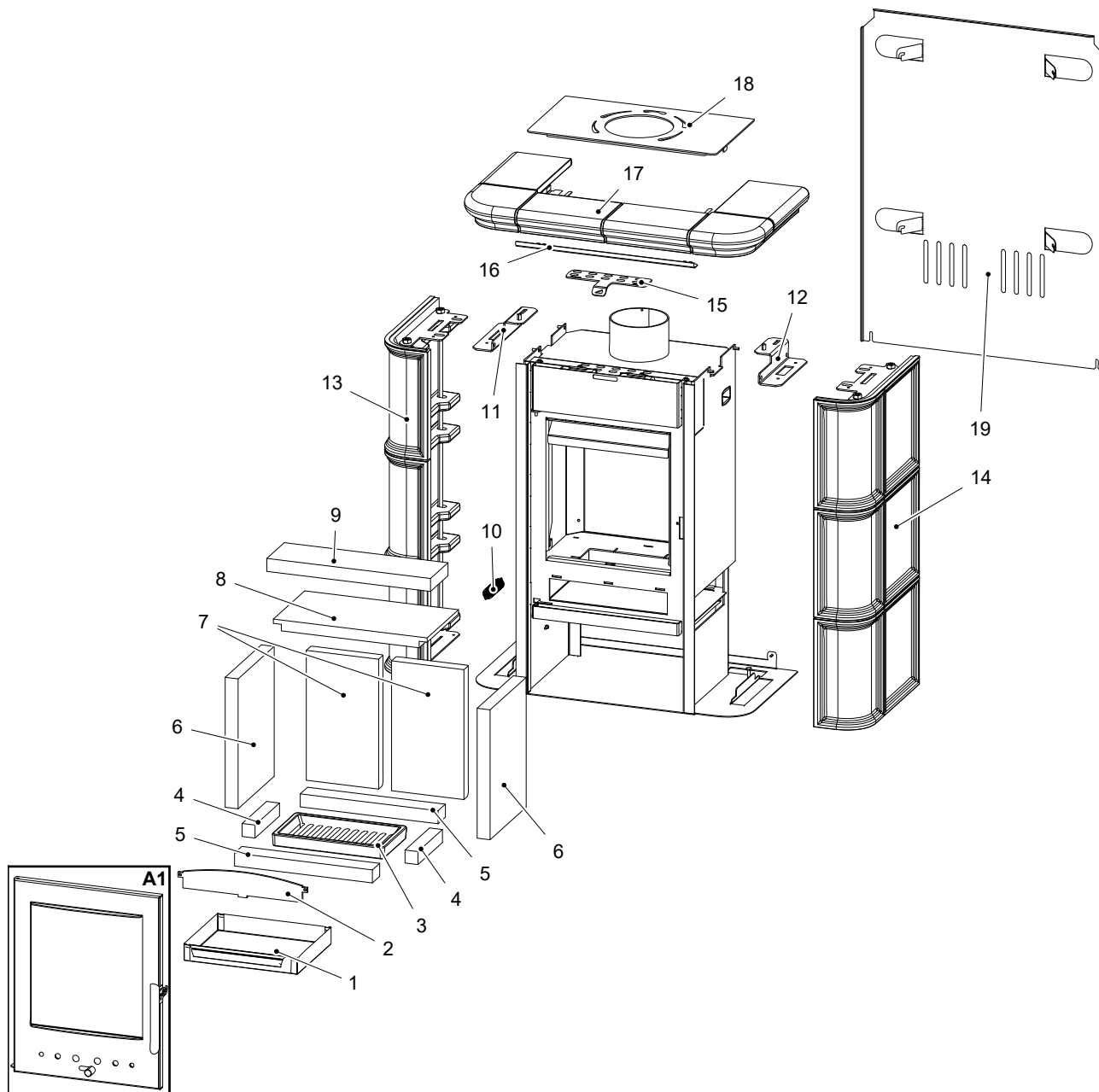
Fireplace stove dimensional drawing

GB



2. Overview of spare parts - Tirol 343.15 green, cream

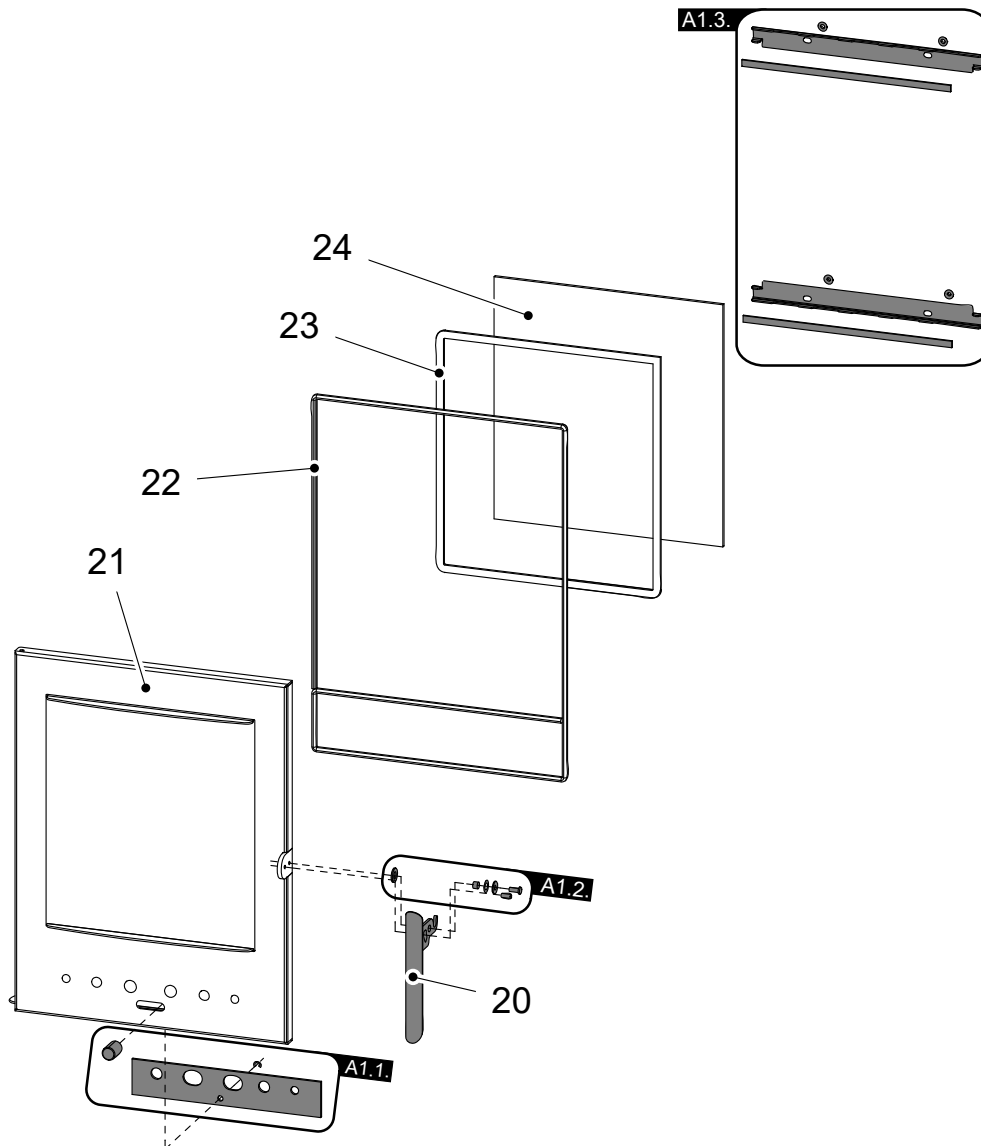
2.1. Whole emplacement



Item	Name	pcs	Spare part number
Whole emplacement			
A1	Fire-box door (complete)/black	1 piece	0434320005300
1	Ashpan	1 piece	0432215005600
2	Protection/black	1 piece	0432215006015

3	Grate/black	1 piece	0429415005005
4	Brick 30x30x154	2 piece	0432215005505
5	Brick 30x46x320	2 piece	0432215005503
6	Brick 30x227x300	2 piece	0432215005502
7	Brick 30x168x300	2 piece	0434315005501
8	Lower lip (25x197x357)	1 piece	0432215005701
9	Upper lip (30x110x380)	1 piece	0432215005702
10	Door spring	1 piece	0088400020005
11	Lining holder left/black	1 piece	0434320005030
12	Lining holder right/black	1 piece	0434320005035
13	Lateral lining left/green	1 piece	0434320005100
13	Lateral lining left/cream	1 piece	0434320015100
14	Lateral lining right/green	1 piece	0434320005101
14	Lateral lining right/cream	1 piece	0434320015101
15	Controller of secondary air/black	1 piece	0434315005001
16	Cover/black	1 piece	0434320005001
17	Upper mantelpiece/green	1 piece	0434320005102
17	Upper mantelpiece/cream	1 piece	0434320015102
18	Lid/black	1 piece	0434320005040
19	Rear cover	1 piece	0434320005050

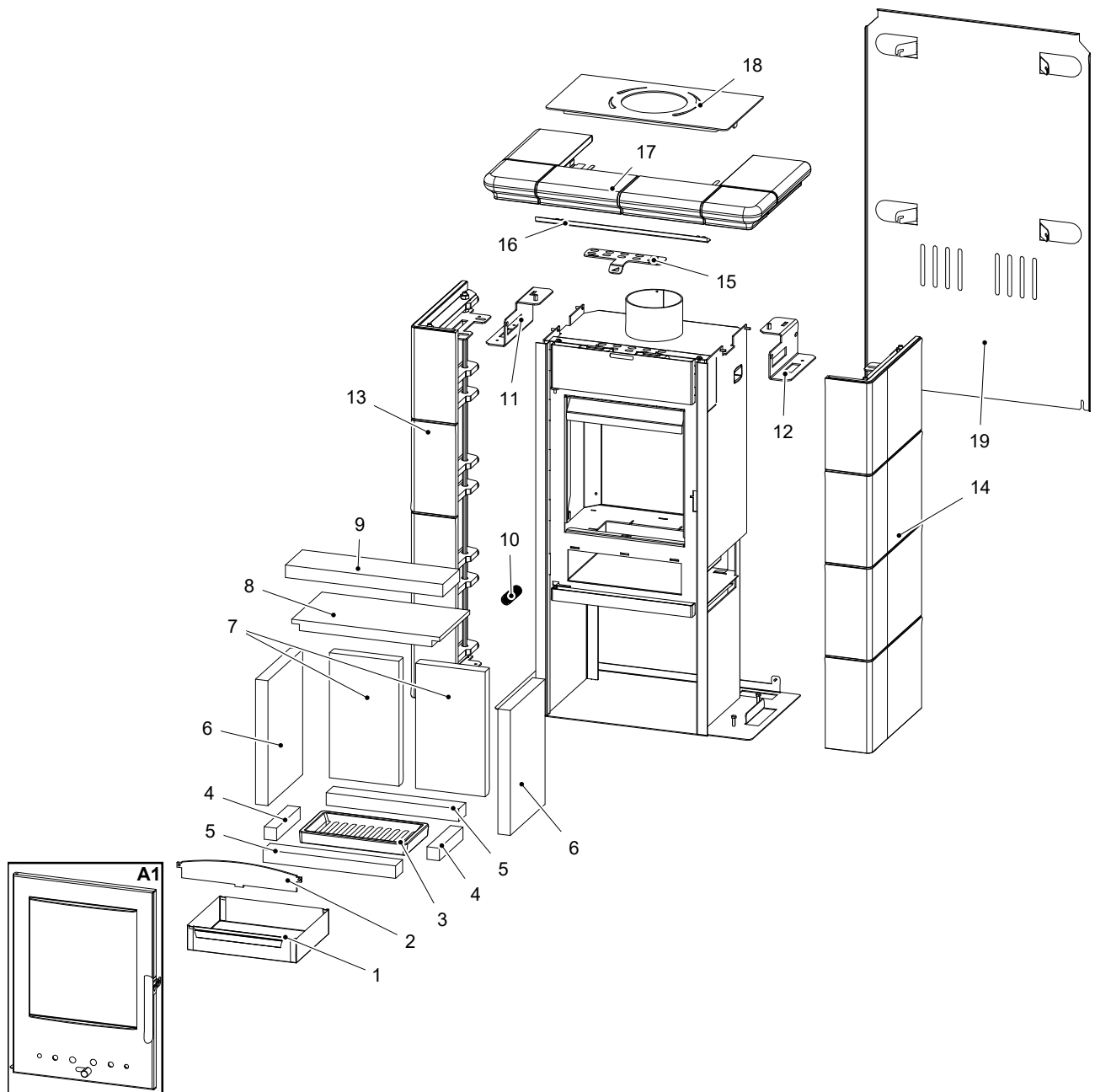
2.2. Detail A1



Item	Name	pcs	Spare part number
Detail A1			
A1.1.	Controller of primary air — set/black	1 piece	0430815010306
A1.2.	Handle connecting material — set	1 piece	0434325006305
A1.3.	Glass holder — set/black	1 piece	0434325005307
20	Fire-box door lever lock	1 piece	0434325005305
21	Fire-box door/black	1 piece	0434320005200
22	Sealing of the door 8 mm (1800 mm)	1 piece	0040300080005
23	Glass sealing 10x4 mm (1200 mm)	1 piece	0040210040005
24	Door glass (4x285x300)	1 piece	0432215005301

3. Overview of spare parts - Tirol 343.15 green-white, brown-white

3.1. Whole emplacement

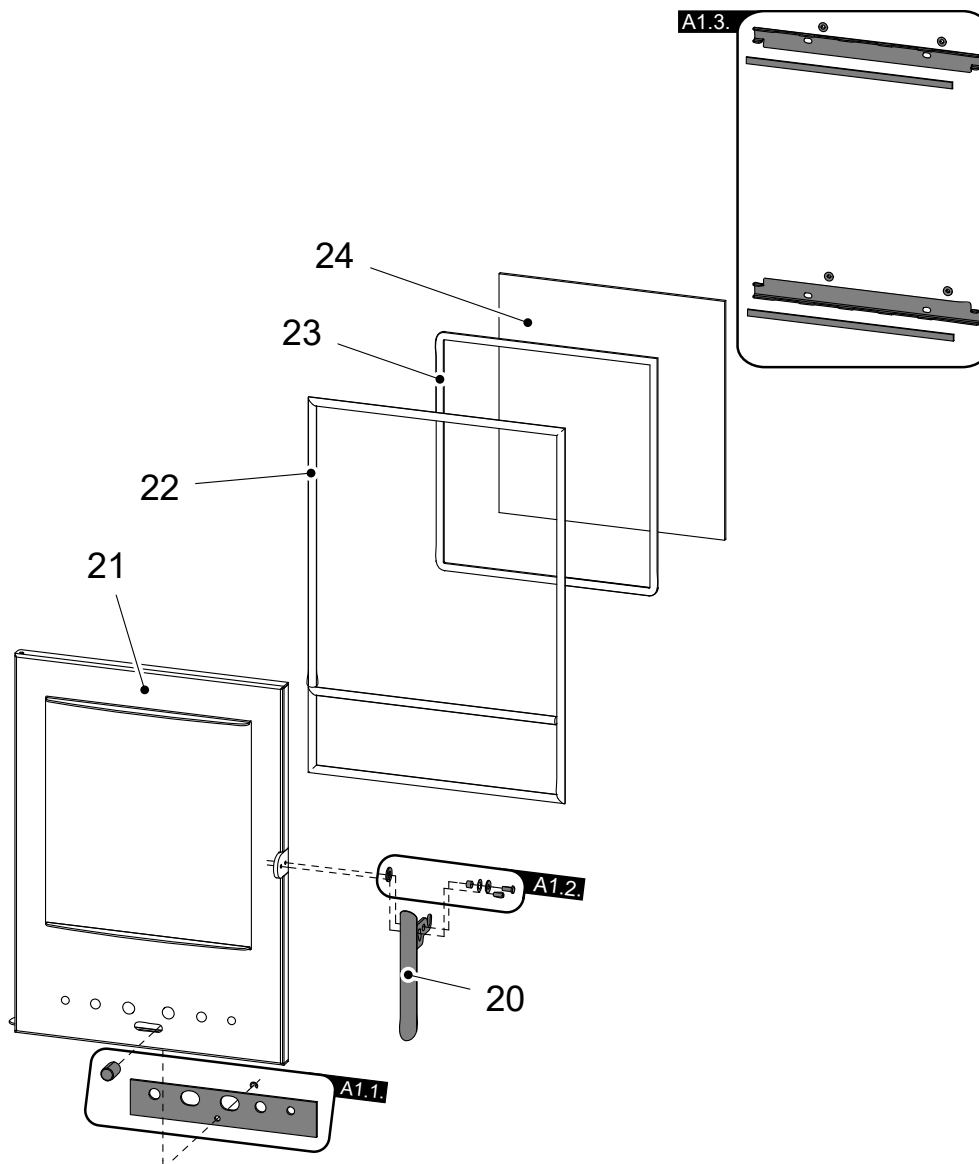


GB

Item	Name	pcs	Spare part number
Whole emplacement			
A1	Fire-box door (complete)/black	1 piece	0434325005300
1	Ashpan	1 piece	0434325015603

2	Protection/black	1 piece	0432215006015
3	Grate/black	1 piece	0020100130005
4	Brick 30x30x154	2 piece	0432215005505
5	Brick 30x46x320	2 piece	0432215005503
6	Brick 30x227x300	2 piece	0432215005502
7	Brick 30x168x300	2 piece	0434315005501
8	Lower lip (25x197x357)	1 piece	0432215005701
9	Upper lip (30x110x380)	1 piece	0432215005702
10	Door spring	1 piece	0088400020005
11	Lining holder left/black	1 piece	0434325005030
12	Lining holder right/black	1 piece	0434325005035
13	Lateral lining left/green-white	1 piece	0434325005101
13	Lateral lining left/brown-white	1 piece	0434325015101
14	Lateral lining right/green-white	1 piece	0434325005100
14	Lateral lining right/brown-white	1 piece	0434325015100
15	Controller of secondary air/black	1 piece	0434315005001
16	Cover/black	1 piece	0434320005001
17	Upper mantelpiece/white	1 piece	0434325005102
18	Lid/black	1 piece	0434325005040
19	Rear cover	1 piece	0434325005050

3.2. Detail A1



Item	Name	pcs	Spare part number
Detail A1			
A1.1.	Controller of primary air - set/black	1 piece	0430815010306
A1.2.	Handle connecting material — set	1 piece	0434325006305
A1.3.	Glass holder — set/black	1 piece	0434325005307
20	Fire-box door lever lock	1 piece	0434325005305
21	Fire-box door/black	1 piece	0434325005200
22	Sealing of the door 10 mm (1860 mm)	1 piece	0040300100005
23	Glass sealing 10x4 mm (1200 mm)	1 piece	0040210040005
24	Door glass (4x285x300)	1 piece	0432215005301